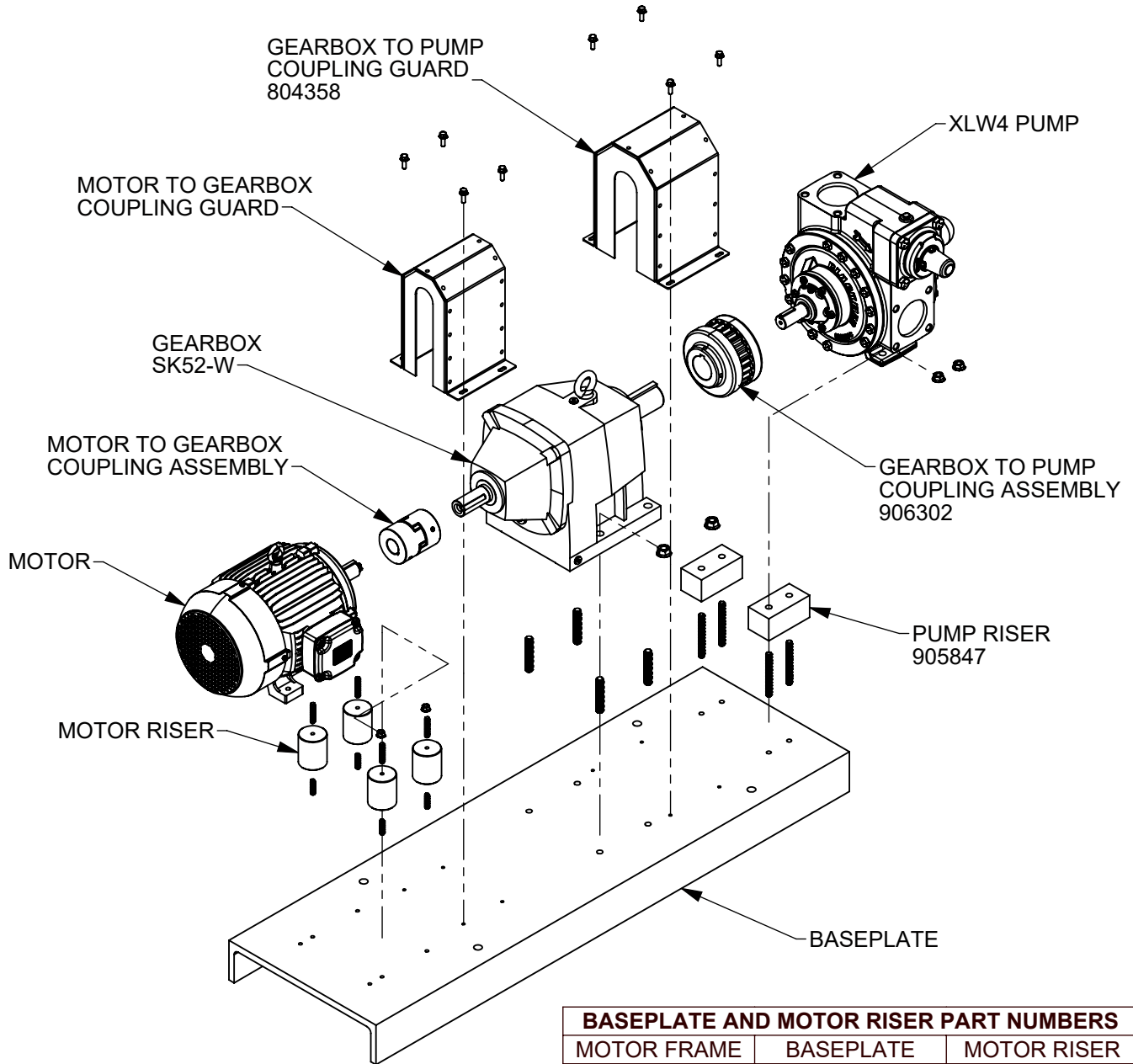




TYPE	SIZE	UNIT STYLE	DIMENSIONS 105-H13	
			Section Effective Replaces Page 1 / 1	105 Dec 2023 Sept 2023
<b>XLW</b>	<b>4</b>	<b>SK52W</b>		

RIGHT HAND ROTATION SHOWN. FOR LEFT HAND ROTATION, SHAFT IS OPPOSITE THAT SHOWN.

\*\*MOUNTING STYLE: LONG COUPLED\*\*



BASEPLATE AND MOTOR RISER PART NUMBERS		
MOTOR FRAME	BASEPLATE	MOTOR RISER
213T/215T	901461	905848
254T/256T	901463	905849
284T/286T	901464	905850
COUPLING AND GUARD PART NUMBERS		
MOTOR FRAME	MOTOR TO GEARBOX COUPLING ASSY	MOTOR TO GEARBOX COUPLING GUARD
213T/215T	906314	804323
254T/256T	906319	804323
284T/286T	906320	804332

NORD SK52-W GEARBOX PART NUMBERS		
RATIO	SPEEDS 60Hz/50Hz	PART NUMBER
4.08:1	NA / 355 RPM	812704
4.61:1	NA / 315 RPM	812706
5.08:1	344 RPM / 285 RPM	812707
5.60:1	313 RPM / 259 RPM	812708
5.79:1	302 RPM / 250 RPM	812709
6.09:1	287 RPM / 238 RPM	812710
6.42:1	273 RPM / 226 RPM	812711