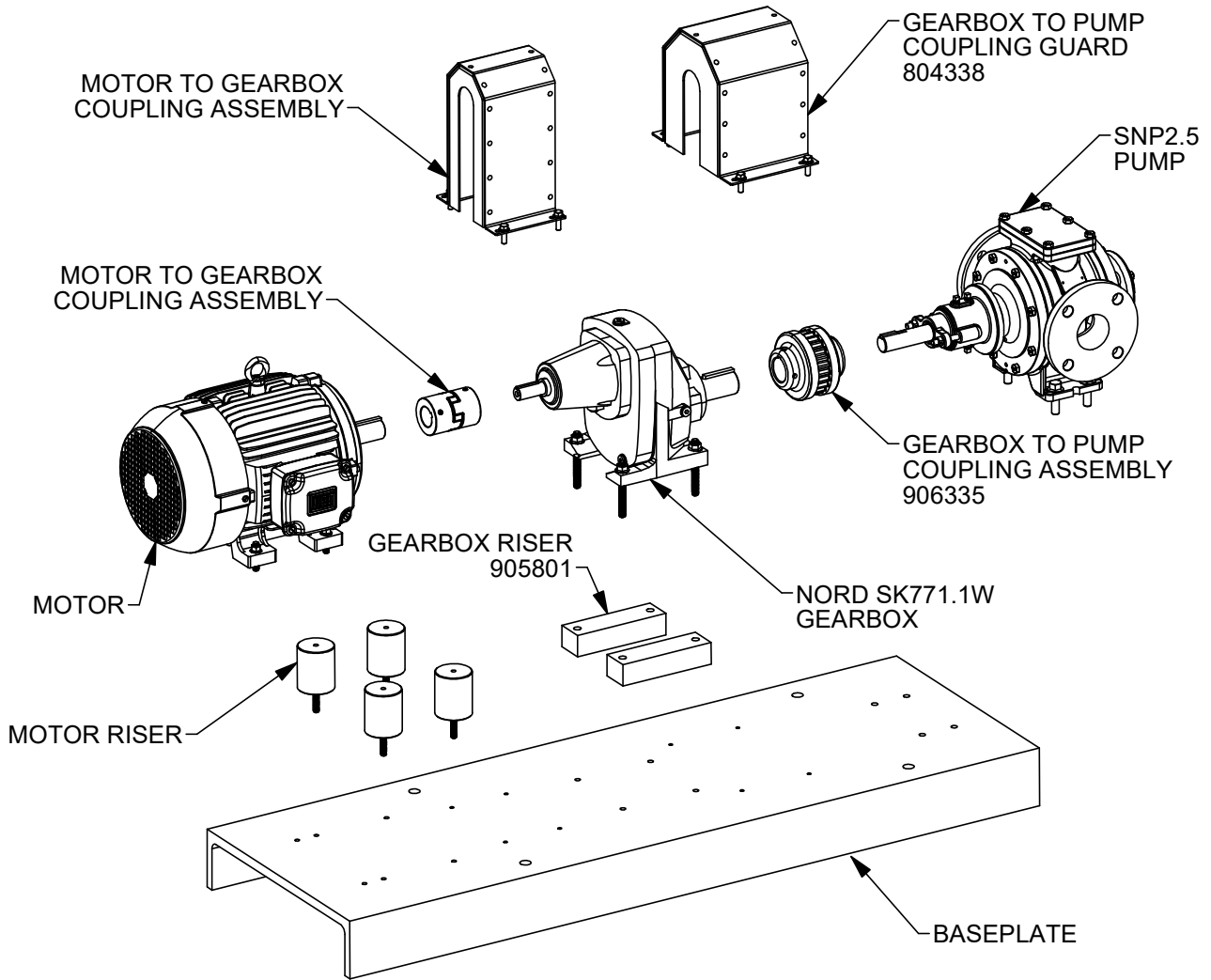




TYPE	SIZE	UNIT STYLE
<b>SNP</b>	<b>2.5</b>	<b>SK771</b>

PARTS LIST 104-H14	
Section Effective Replaces Page 1 / 1	104 SEP 2023 NEW

RIGHT HAND ROTATION. FOR LEFT HAND ROTATION, SHAFT PROJECTION IS OPPOSITE THAT SHOWN.



NORD SK771.1-W GEARBOX PART NUMBERS		
RATIO	INPUT/OUTPUT	PART NUMBER
2.15:1	1750/814 RPM	813131
2.65:1	1750/660 RPM	803108
3.38:1	1750/518 RPM	803109
3.75:1	1750/467 RPM	813132
4.14:1	1750/423 RPM	803110
4.96:1	1750/353 RPM	803111
5.41:1	1750/323 RPM	803112
6.23:1	1750/281 RPM	803113
7.68:1	1750/228 RPM	803114
8.50:1	1750/206 RPM	803115

BASEPLATE AND MOTOR RISER PART NUMBERS		
MOTOR FRAME	BASEPLATE	MOTOR RISER
182T/184T	901426	905812
213T/215T	901433	905818
254T/256T	901441	905824
COUPLING AND GUARD PART NUMBER		
MOTOR FRAME	MOTOR TO GEARBOX COUPLING ASSY	MOTOR TO GEARBOX COUPLING GUARD
182T/184T	906310	804314
213T/215T	906311	804314
254T/256T	906309	804323