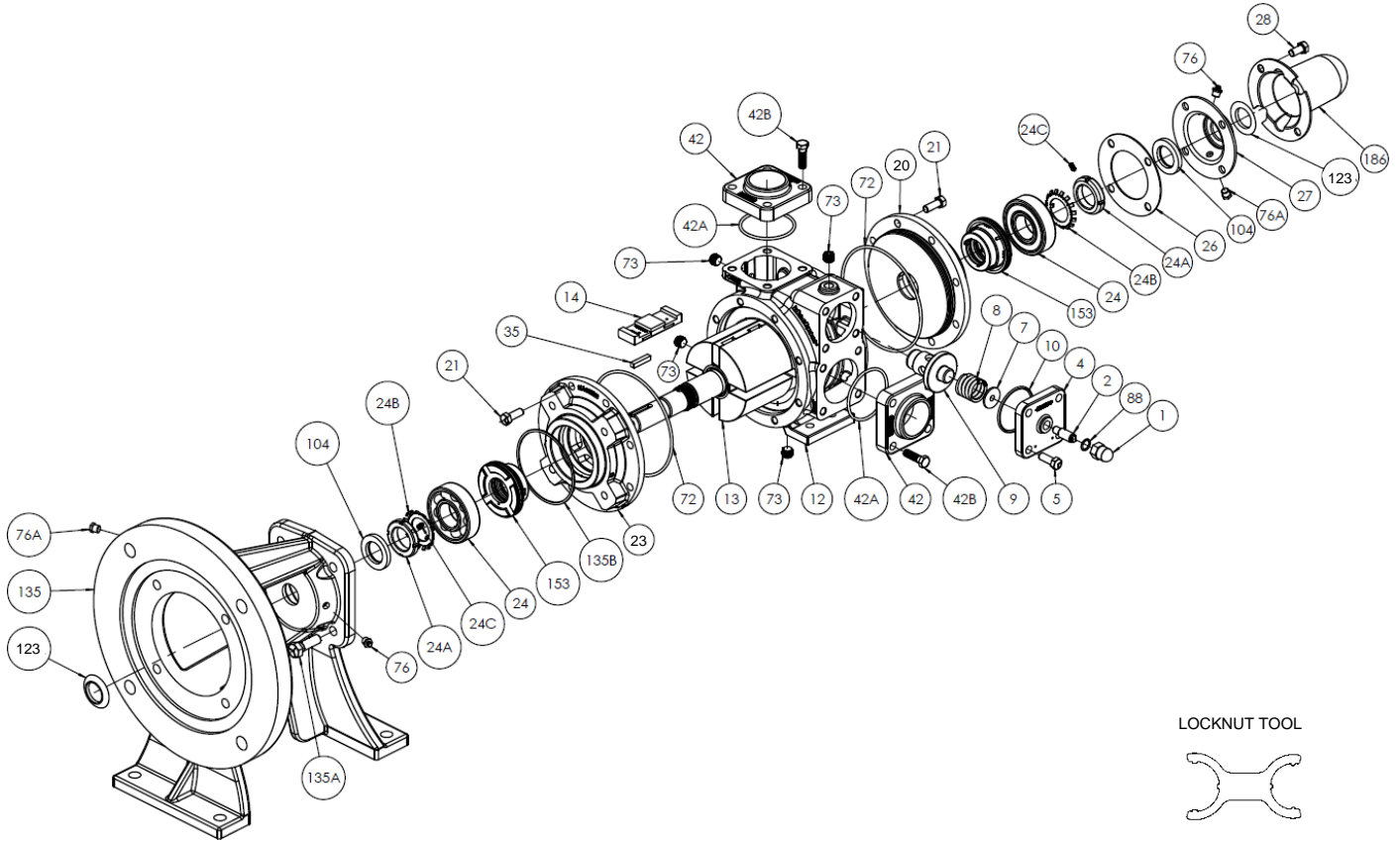


# BLACKMER PARTS LIST

## PUMP MODEL: SX1220A (Direct Drive)

Keep with Instructions 104-C00 for Installation, Operation and Maintenance

Section	104
Effective	Aug 2023
Replaces	New



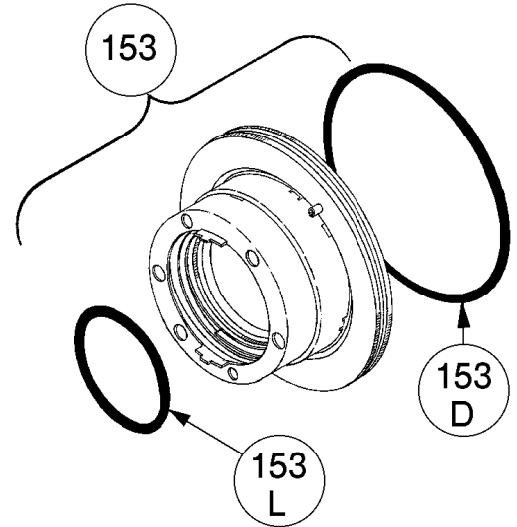
REF. NO.	DESCRIPTION	PARTS PER PUMP	PART NO.	REF. NO.	DESCRIPTION	PARTS PER PUMP	PART NO.
1	Cap – Relief Valve (R/V)	1	413151	27	Bearing Cover	1	042220
2	Adjusting Screw – R/V	1	432220	28	Capscrew – Bearing Cover	4	920293
4	Cover – R/V	1	412220	35	Key – Shaft	1	909209
5	Capscrew – R/V Cover	4	920335	42	Flange – 2" Weld	2	651433
7	Spring Guide – R/V	1	423101	42A	O-Ring – Flange, FKM	2	<sup>1</sup> 701921
8	Spring – R/V (51- 75 psi)	1	471418		O-Ring – Flange, PTFE		702056
	Spring – R/V (76 –110 psi)		471427		O-Ring – Flange, EPDM		702356
	Spring – R/V (111-125 psi)		471429	42B	Capscrew – Flange	8	920365
9	Valve – R/V	1	452200	72	O-Ring – Head, FKM	2	<sup>1</sup> 711934
10	O-Ring – R/V Cover, FKM	1	<sup>1</sup> 702015		O-Ring – Head, PTFE		712007
	O-Ring – R/V Cover, PTFE		711999		O-Ring – Head, EPDM		702367
	O-Ring – R/V Cover, EPDM		702355	73	Plug – ¼" NPT	4	908192
12	Cylinder	1	022220	76	Grease Fitting	2	317815
13	Rotor & Shaft (Double Ended)	1	<sup>2</sup> 262220	76A	Grease Relief Fitting	2	701992
14	Vane – Duravane	4	<sup>1</sup> 091419	88	Seal Ring – R/V Cap, PTFE	1	533101
20	Head - Outboard	1	032220	104	Oil Seal	2	<sup>1</sup> 331918
21	Capscrew – Head	16	920335	123A	Dirt Shield	2	701480
23	Head – Inboard	1	032230	135-	Adaptor, Adaptor O-Ring, Adaptor and Motor Capscrew and Hex Nuts		See Backside
24	Bearing	2	<sup>1</sup> 903156	135D			
24A	Locknut w/setscrew	2	903583	153	Mechanical Seal	2	Backside
24B	Lockwasher	2	903522	186	Shaft Protector	1	341601
24C	Setscrew – Locknut	2	924060		Tool – Locknut		903091
26	Gasket – Bearing Cover	1	381406		Kit – Maintenance (SX1220)		898820

<sup>1</sup> Included in Maintenance Kit

<sup>2</sup> Includes 24A, 24B & 24C

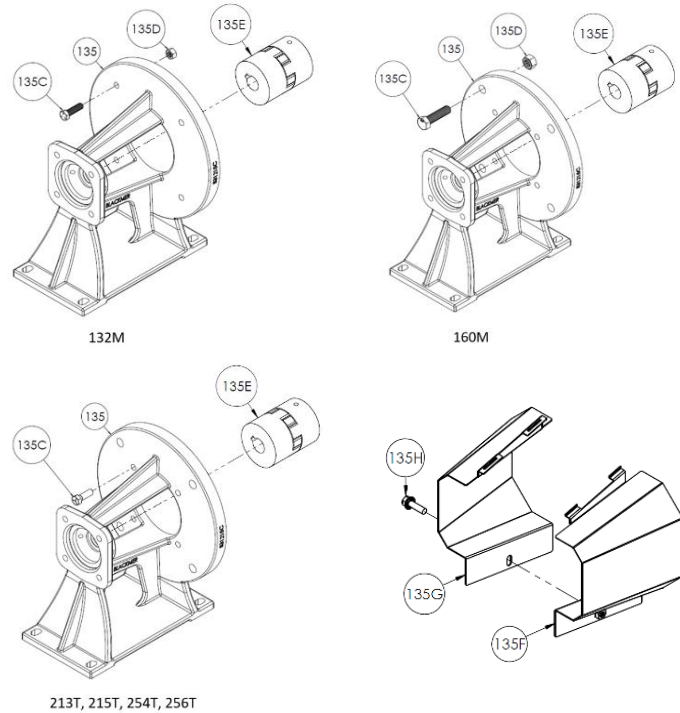
## MECHANICAL SEALS

REF. NO.	PART NAME	PARTS PER PUMP	PART NO.
153	Mechanical Seal Complete - Silicon Carbide Stationary Seat, Carbon Seal Face, FKM O-Rings. (LVCV)	2	<sup>1</sup> 332285
	Mechanical Seal Complete - Silicon Carbide Stationary Seat, Carbon Seal Face, PTFE O-Rings. (LACA)		332221
	Mechanical Seal Complete - Silicon Carbide Stationary Seat, Carbon Seal Face, EPDM O-Rings. (LECE)		332286
153D	O-Ring – Stationary (FKM)	2	701921
	O-Ring – Stationary (PTFE)		702056
	O-Ring – Stationary (EPDM)		702356
153L	O-Ring – Rotating (FKM)	2	701902
	O-Ring – Rotating (PTFE)		712006
	O-Ring – Rotating (EPDM)		701998



## ADAPTORS

REF. NO.	PART NAME	PARTS PER PUMP	PART NO.
135	Adapter – 132	1	831215
	Adapter – 160, 213T, 215T, 254T, 256T	1	831216
135A	Capscrew	4	920491
135B	O-Ring (FKM)	1	<sup>1</sup> 701991
135C	Capscrews – 132	4	794094
	Capscrews – 160	4	920180
	Capscrews – 213T, 215T, 254T, 256T	4	098277
135D	Hex Nuts – 132	4	790127
	Hex Nuts – 160	4	920181
135E	Coupling assembly 132	1	906400
	Coupling assembly 160	1	906401
	Coupling assembly 213T/215T	1	906402
	Coupling assembly 254T/256T	1	906403
135F	Guard - Left	1	804371
135G	Guard - Right	1	804372
135H	Cap screw	1	920950



<sup>1</sup> Included in Maintenance Kit



1809 Century Avenue, Grand Rapids, Michigan 49503-1530, U.S.A.  
 Telephone: (616) 241-1611 / Fax: (616) 241-3752  
 E-Mail: blackmer@blackmer.com / Internet: www.blackmer.com

Parts List 104-C02  
 Page 2 of 2