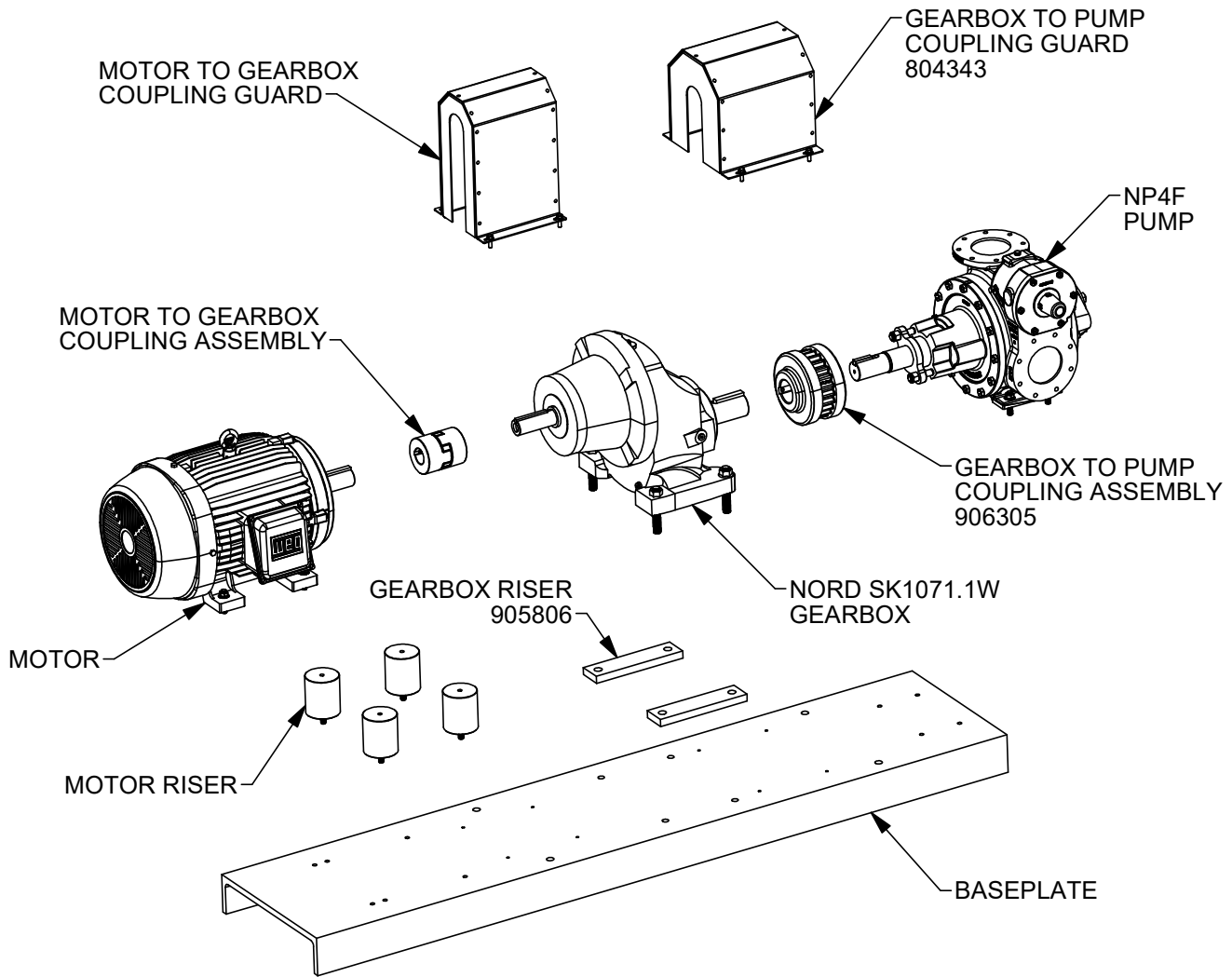




TYPE	SIZE	UNIT STYLE
NP	4F	SK1071

DIMENSIONS 103-H15	
Section Effective Replaces Page 1 / 1	103 Sept 2023 NEW

RIGHT HAND ROTATION. FOR LEFT HAND ROTATION, SHAFT PROJECTION IS OPPOSITE THAT SHOWN.



BASEPLATE AND MOTOR RISER PART NUMBERS		
MOTOR FRAME	BASEPLATE	MOTOR RISER
213T/215T	901439	905823
254T/256T	901447	905827
284T/286T	901451	905830
324T/326T	901452	905831
COUPLING AND GUARD PART NUMBER		
MOTOR FRAME	MOTOR TO GEARBOX COUPLING ASSY	MOTOR TO GEARBOX COUPLING GUARD
213T/215T	906321	804327
254T/256T	906322	804327
284T/286T	906323	804334
324T/320T	906324	804334

NORD SK1071.1-W GEARBOX PART NUMBERS		
RATIO	INPUT/OUTPUT	PART NUMBER
3.04:1	1750/576 RPM	813133
3.45:1	1750/507 RPM	813134
3.96:1	1750/442 RPM	813135
4.42:1	1750/396 RPM	813136
4.77:1	1750/367 RPM	813137
5.29:1	1750/331 RPM	813138
6.51:1	1750/269 RPM	813139
8.10:1	1750/216 RPM	813140