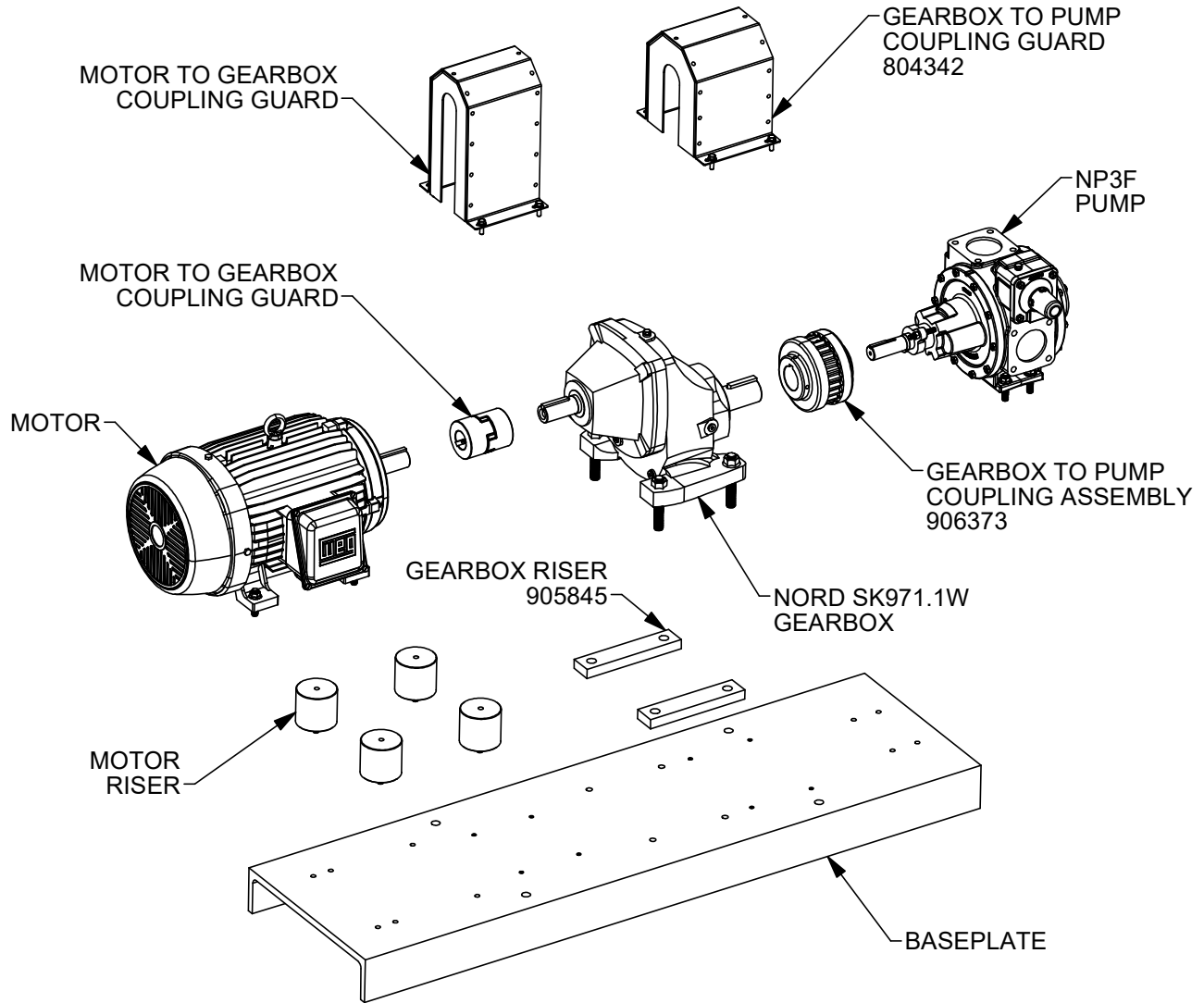




TYPE	SIZE	UNIT STYLE
NP	3F	SK971

DIMENSIONS 103-H14	
Section Effective Replaces Page 1 / 1	103 Sept 2023 NEW

RIGHT HAND ROTATION. FOR LEFT HAND ROTATION, SHAFT PROJECTION IS OPPOSITE THAT SHOWN



NORD SK971.1-W GEARBOX PART NUMBERS			BASEPLATE AND MOTOR RISER PART NUMBERS		
RATIO	INPUT/OUTPUT	PART NUMBER	MOTOR FRAME	BASEPLATE	MOTOR RISER
2.86:1	1750/612 RPM	803122	213T/215T	901438	905841
3.31:1	1750/529 RPM	803123	254T/256T	901446	905842
3.67:1	1750/477 RPM	803124	284T/286T	901450	905843
4.04:1	1750/433 RPM	803125	<b>COUPLING AND GUARD PART NUMBER</b>		
4.42:1	1750/396 RPM	803126	MOTOR FRAME	MOTOR TO GEARBOX COUPLING ASSY	MOTOR TO GEARBOX COUPLING GUARD
5.04:1	1750/347 RPM	803127	213T/215T	906314	804315
5.50:1	1750/318 RPM	803128	254T/256T	906319	804315
5.94:1	1750/295 RPM	803129	284T/286T	906320	804332
6.82:1	1750/257 RPM	803130			