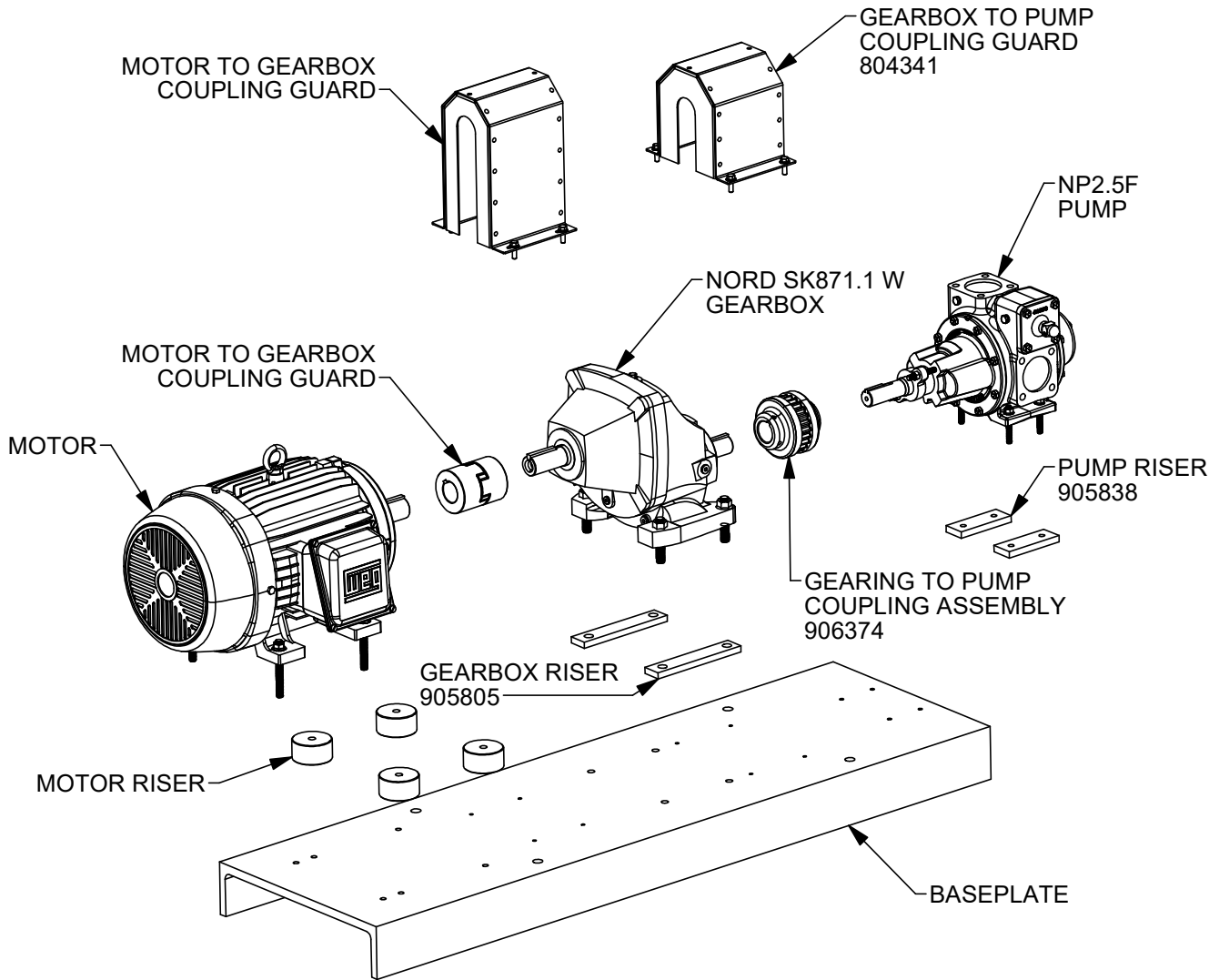




TYPE	SIZE	UNIT STYLE
NP	2.5F	SK871

DIMENSIONS 103-H13	
Section Effective Replaces Page 1 / 1	103 Sept 2023 NEW

RIGHT HAND ROTATION. FOR LEFT HAND ROTATION, SHAFT PROJECTION IS OPPOSITE THAT SHOWN.



BASEPLATE AND MOTOR RISER PART NUMBERS		
MOTOR FRAME	BASEPLATE	MOTOR RISER
182T/184T	901429	905816
213T/215T	901437	905822
254T/256T	901445	905826
284T/286T	901449	905829

NORD SK871.1-W GEARBOX PART NUMBERS		
RATIO	INPUT/OUTPUT	PART NUMBER
2.50:1	1750/700 RPM	803116
3.42:1	1750/512 RPM	803117
3.89:1	1750/450 RPM	803118
4.29:1	1750/408 RPM	803119
5.27:1	1750/332 RPM	803120
7.17:1	1750/244 RPM	803121

COUPLING AND GUARD PART NUMBER		
MOTOR FRAME	MOTOR TO GEARBOX COUPLING ASSY	MOTOR TO GEARBOX COUPLING GUARD
182T/184T	906313	804306
213T/215T	906314	804306
254T/256T	906319	804323
284T/286T	906320	804332