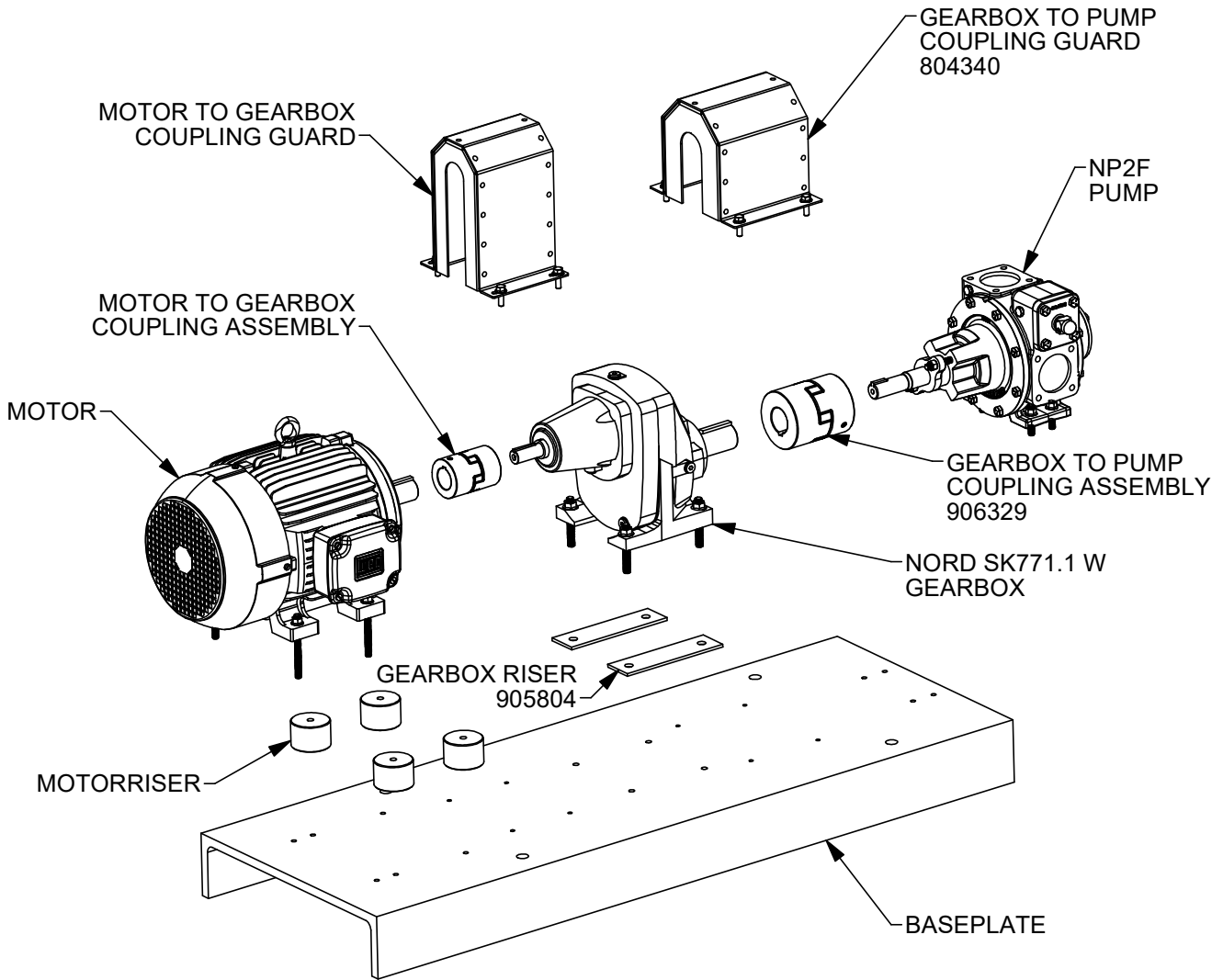




TYPE	SIZE	UNIT STYLE
NP	2F	SK771

DIMENSIONS 103-H12	
Section Effective Replaces Page 1 / 1	103 Sept 2023 NEW

RIGHT HAND ROTATION. FOR LEFT HAND ROTATION, SHAFT PROJECTION IS OPPOSITE THAT SHOWN.



NORD SK771.1-W GEARBOX PART NUMBERS			BASEPLATE AND MOTOR RISER PART NUMBERS		
RATIO	INPUT/OUTPUT	PART NUMBER	MOTOR FRAME	BASEPLATE	MOTOR RISER
2.15:1	1750/814 RPM	813131			
2.65:1	1750/621 RPM	803108	182T/184T	901421	905810
3.38:1	1750/512 RPM	803109	213T/215T	901436	905814
3.75:1	1750/467 RPM	813132	254T/256T	901444	905821
4.14:1	1750/399 RPM	803110	COUPLING AND GUARD PART NUMBER		
4.96:1	1750/320 RPM	803111	MOTOR FRAME	MOTOR TO GEARBOX COUPLING ASSY	MOTOR TO GEARBOX COUPLING GUARD
5.41:1	1750/292 RPM	803112			
6.23:1	1750/236 RPM	803113	182T/184T	906310	804308
7.68:1	1750/184 RPM	803114	213T/215T	906311	804317
8.50:1	1750/206 RPM	803115	254T/256T	906309	804349