

BLACKMER PARTS LIST

PUMP MODEL: NPH2.5F

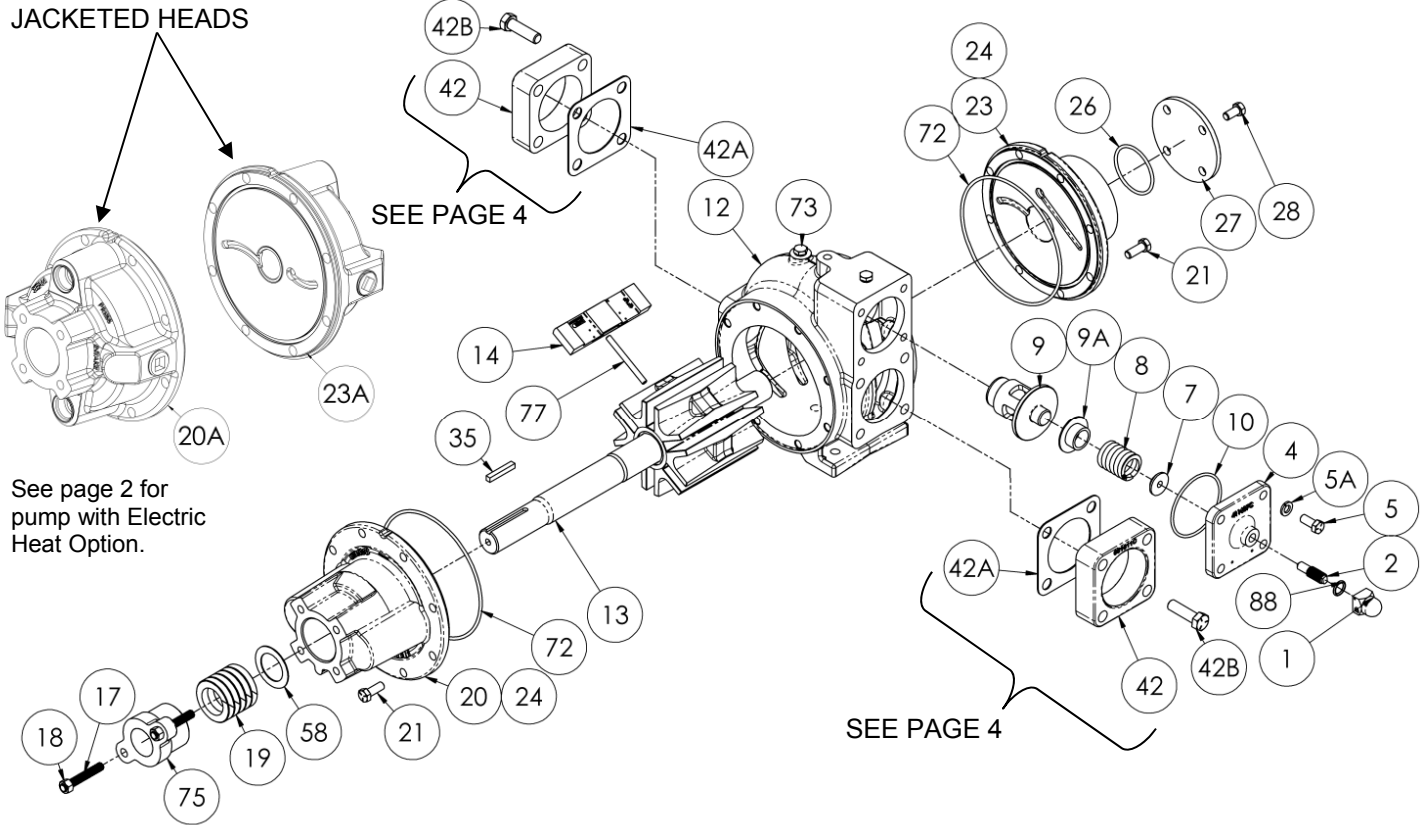
961908
Page 1 of 4

PARTS LIST
103-A13

Section | 103
Effective | Oct. 2015
Replaces | New

Keep with Instructions 103-A00 for Installation, Operation and Maintenance

JACKETED HEADS



See page 2 for pump with Electric Heat Option.

Ref. No.	Description	Qty	Part No.	Ref. No.	Description	Qty	Part No.
1	Cap - Relief Valve (R/V)	1	411453	14	Vane - Duravane (Std.) ⁴	6	⁵ 091619
2	Adjusting Screw - R/V	1	431401		Vane - EC Laminate		091627
4	Cover - R/V (Std.)	1	411600		Vane - EC Cast Iron		091621
	Cover - R/V ^{1 4} (high pressure)		411608		Vane - EC Bronze		091624
5	Capscrew - R/V Cover (Std.)	4	920316	20	Head & Bushing Asy. - Inboard	1	031676
	Capscrew - R/V Cover ^{1 4} (high pressure)		920421	20A	Head & Bushing Asy. - Inboard (Jacket)	1	031672
5A	Lockwasher - R/V Capscrew ^{1 4} (high press)	0 - 4	909649	21	Capscrews - Head	16	920341
7	Spring Guide - R/V (Std.)	1	423955	23	Head & Bushing Asy. - Outboard	1	031677
	Spring Guide - R/V ^{1 4} (high pressure)		421805	23A	Head & Bushing Asy. - Outboard (Jacket)	1	031673
8	Spring - R/V (41-50 psi) ²	1	471608	24	Bushing (Sleeve Bearing)	2	⁵ 161600
	Spring - R/V (51-110 psi)		471631	26	O-Ring - Bearing Cover (FKM) (Std.)	1	⁵ 702038
	Spring - R/V (111-150 psi)		471614		O-Ring - Bearing Cover (PTFE)		702234
	SS Spring - R/V (51-110 psi)		471632		O-Ring - Bearing Cover (Buna-N) ⁴		702037
	SS Spring - R/V (111-150 psi)		471615	27	Bearing Cover	1	041600
SS Spring - R/V (151-200 psi) ¹ (hp)	471671	28	Capscrews - Bearing Cover		4	920291	
9	Valve - R/V (51-200 psi) (Nickel Plated)		1	451624	35	Key - Shaft	1
	Valve - R/V (41-50 psi) ²	451609		42	Flange Options	See Page 4	
9A	Collar - Valve ^{1 4} (high pressure)	0-1	431606	42A	Gasket		
10	O-Ring - R/V Cover (FKM) (Std.)	1	⁵ 701924	42B	Capscrew		
	O-Ring - R/V Cover (PTFE)		702079	72	O-Ring - Head (FKM) (Std.)	2	⁵ 702241
	O-Ring - R/V Cover (Buna-N) ⁴		701925		O-Ring - Head (PTFE)		702242
12	Cylinder	1	021635		O-Ring - Head (Buna-N) ⁴	2	702240
13	Rotor & Shaft, Open Rotor (Shown)	1	261668	73	Gage Plug	2	908198
	Rotor & Shaft, Closed Rotor (Opt.)		261675	77	Push Rods	3	121607
				88	Gasket - R/V Cap	1	701981
				—	Kit - Maintenance	—	898930

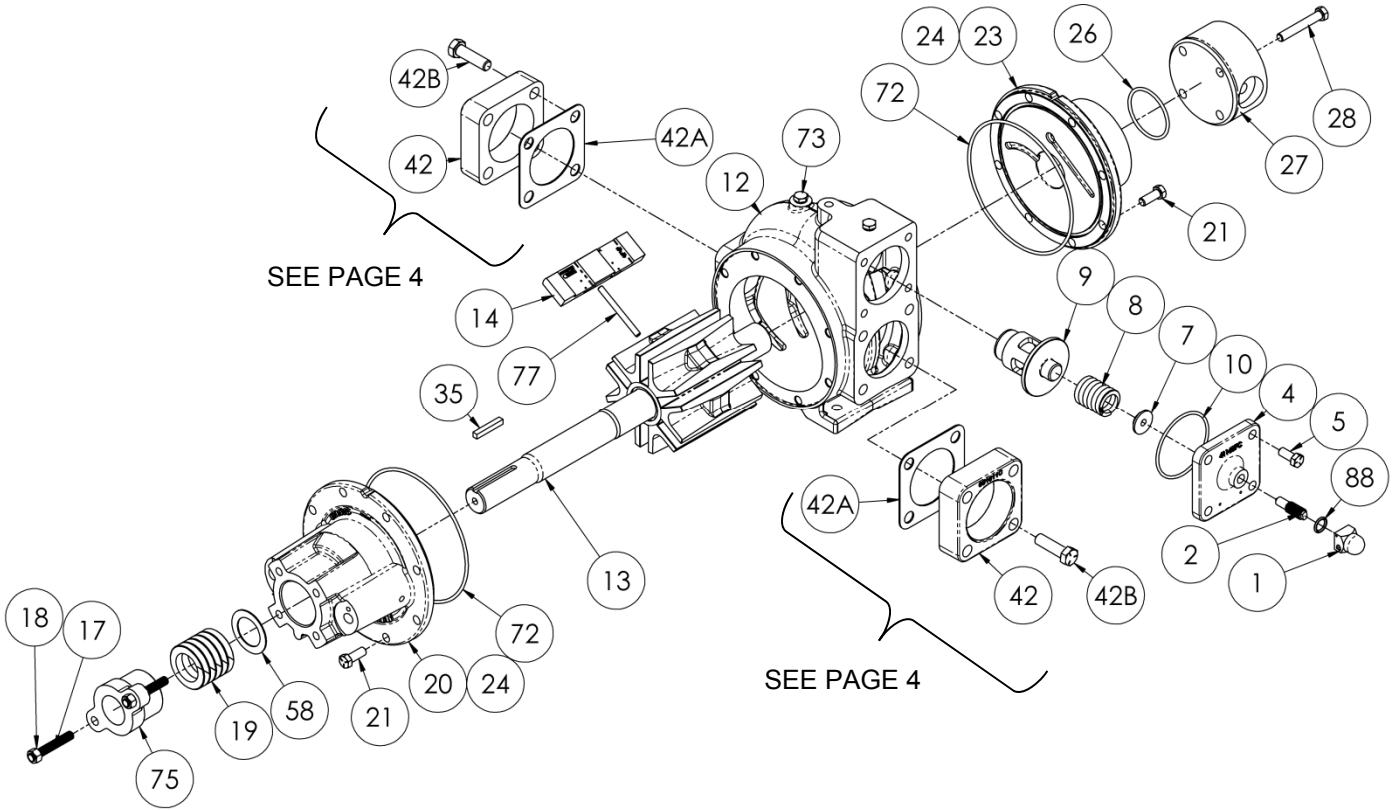
¹ Optional High Pressure Relief Valve - parts must be used as a group (includes p/n 411608, 920421, 909649, 421805, 431606 & 471671).

² Low pressure spring must be used with low pressure valve p/n 451609

⁴ AFFF service pumps include: Nickel Plated. High Press. RV, 200 psi RV spring, Buna O-rings, Cyl. w/ Drain, Lip Seal & Duravanes.

⁵ Included in Maintenance Kit. EC = Extra-Clearance SS = Stainless Steel

Pumps with Heads for Electric Heating



Ref. No.	Description	Parts per Pump	Part No.	Ref. No.	Description	Parts per Pump	Part No.
1	Cap - Relief Valve (R/V)	1	411453	21	Capscrews - Head	16	920341
2	Adjusting Screw - R/V	1	431401	23	Head & Bushing Asy. – Outboard EH	1	031685
4	Cover - R/V (Std.)	1	411600	24	Bushing – EH (Sleeve Bearing)	2	161601
5	Capscrew - R/V Cover (Std.)	4	920316	26	O-Ring - Bearing Cover (FKM) (Std.)	1	702038
7	Spring Guide - R/V (Std.)	1	423955		O-Ring - Bearing Cover (PTFE)		702234
8	SS Spring - R/V (51-110 psi)	1	471632	27	Bearing Cover EH	1	041880
	SS Spring - R/V (111-150 psi)		471615	28	Capscrews - Bearing Cover EH	4	920444
9	Valve - R/V (51-200 psi) (Std.)	1	451623	35	Key - Shaft	1	909177
	Valve - R/V (51-200 psi) (Nickel Plated)		451624	42	Flange Options		
10	O-Ring - R/V Cover (FKM) (Std.)	1	701924	42A	Gasket		See Page 4
	O-Ring - R/V Cover (PTFE)		702079	42B ²	Capscrew		
12	Cylinder	1	021635	72	O-Ring - Head (FKM) (Std.)	2	702241
13	Rotor & Shaft, Open Rotor (Shown)	1	261668		O-Ring - Head (PTFE)		702242
	Rotor & Shaft, Closed Rotor (Opt.)		261675	73	Gage Plug	2	908198
14	Vane - Duravane (Std.)	6	091619	77	Push Rods	3	121607
	Vane - EC Laminate		091627				
	Vane - EC Cast Iron		091621				
	Vane - EC Bronze		091624				
20	Head & Bushing Asy. – Inboard EH	1	031684	88	Gasket - R/V Cap	1	701981

EH = Electric Heat Option Parts

EC = Extra-Clearance

SS = Stainless Steel



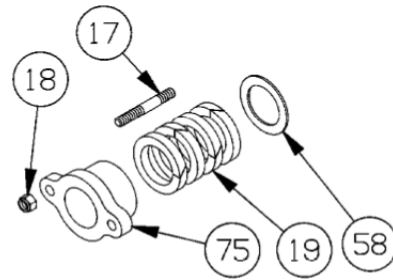
1809 Century Avenue, Grand Rapids, Michigan 49503-1530, U.S.A.
 Telephone: (616) 241-1611 / Fax: (616) 241-3752
 E-Mail: blackmer@blackmer.com / Internet: www.blackmer.com

Parts List 103-A13
 Page 2 of 4

PACKING – STANDARD & ELECTRIC HEAT OPTION

Ref. No.	Part Name	Parts Per Pump	Part No.
17	Stud - Packing Follower	2	921868
18	Nut - Packing Follower Stud	2	922428
19	Packing Set Packing Set – Electric Heat Option	1	⁵ 321868 321880
58	Pack Washer	1	355168
75	Packing Follower	1	141868

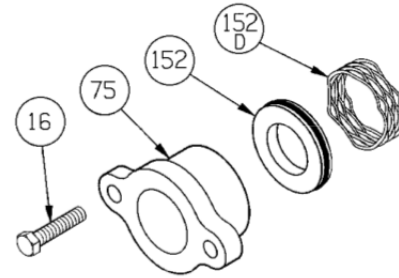
⁵ Included in Maintenance Kit.



LIP SEAL - OPTIONAL ⁴

Ref. No.	Part Name	Parts Per Pump	Part No.
16	Capscrew - Follower	2	920359
75	Seal Follower	1	141868
152	Lip Seal Assembly (To 500°F)	1	702245
152D	Wave Spring	1	321601

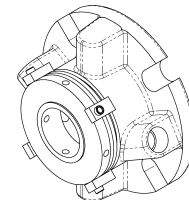
NOTE: A Commercial Mechanical Seal (cartridge type) can be used in place of packing or lip seals. Consult mechanical seal manufacturer for more information.



COMMERCIAL MECHANICAL SEAL (Cartridge Type) - OPTIONAL

Ref. No.	Part Name	Parts Per Pump	Part No.
-	John Crane 5610	1	331639

NOTE: Seal Materials (Sil-Car, Carbon, FKM)

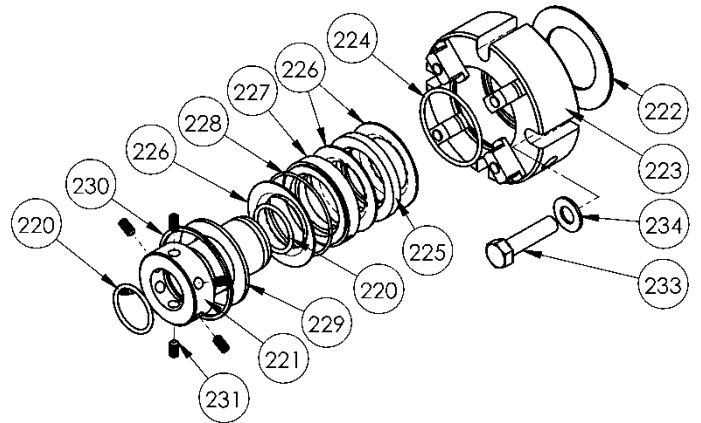


Commercial Mechanical Seal Cartridge Type

TRIPLE-LIP CARTRIDGE SEAL - OPTIONAL

Ref. No.	Part Name	Seal	Seal Rebuild Kit
—	TRIPLE-LIP CARTRIDGE SEAL	331774	899105
220	Shaft Sleeve O-Ring	2	X
221	Shaft Sleeve	1	
222	Gasket	1	X
223	Gland Plate Assembly	1	
224	Element O-Ring	1	X
225	Seal Spacer	1	X
226	Seal Element	3	X
227	Flushing Spacer	1	X
228	Flushing Spacer O-Ring	1	X
229	Retaining Ring	1	
230	Snap Ring	1	X
231	Shaft Sleeve Setscrews	6	X
233	Gland Capscrew	4	
234	Flat Washer	4	

X = Parts Included in Seal Rebuild Kit



FLANGE OPTIONS

Ref. No.	Part Name	Parts Per Pump	Part No.
42	Flange – ANSI 3" 150 lb. R.F.	2	651617
	Flange – 2½" NPT (Std.)		651611
	Flange – 2 ½" Weld		651610
42A	Gasket - NPT Flange (Comp.) (Std.)	2	⁵ 381650
42B	Capscrew – (NPT Flange ONLY)	8	920532
	Capscrew – Weld / ANSI Flange		920491
42C	O-Ring – Weld Flange (FKM)	0 - 2	701924
	O-Ring – Weld Flange (PTFE)		702079
	O-ring – Weld Flange (Buna-N) ⁴		701925

⁵ Included in Maintenance Kit.

