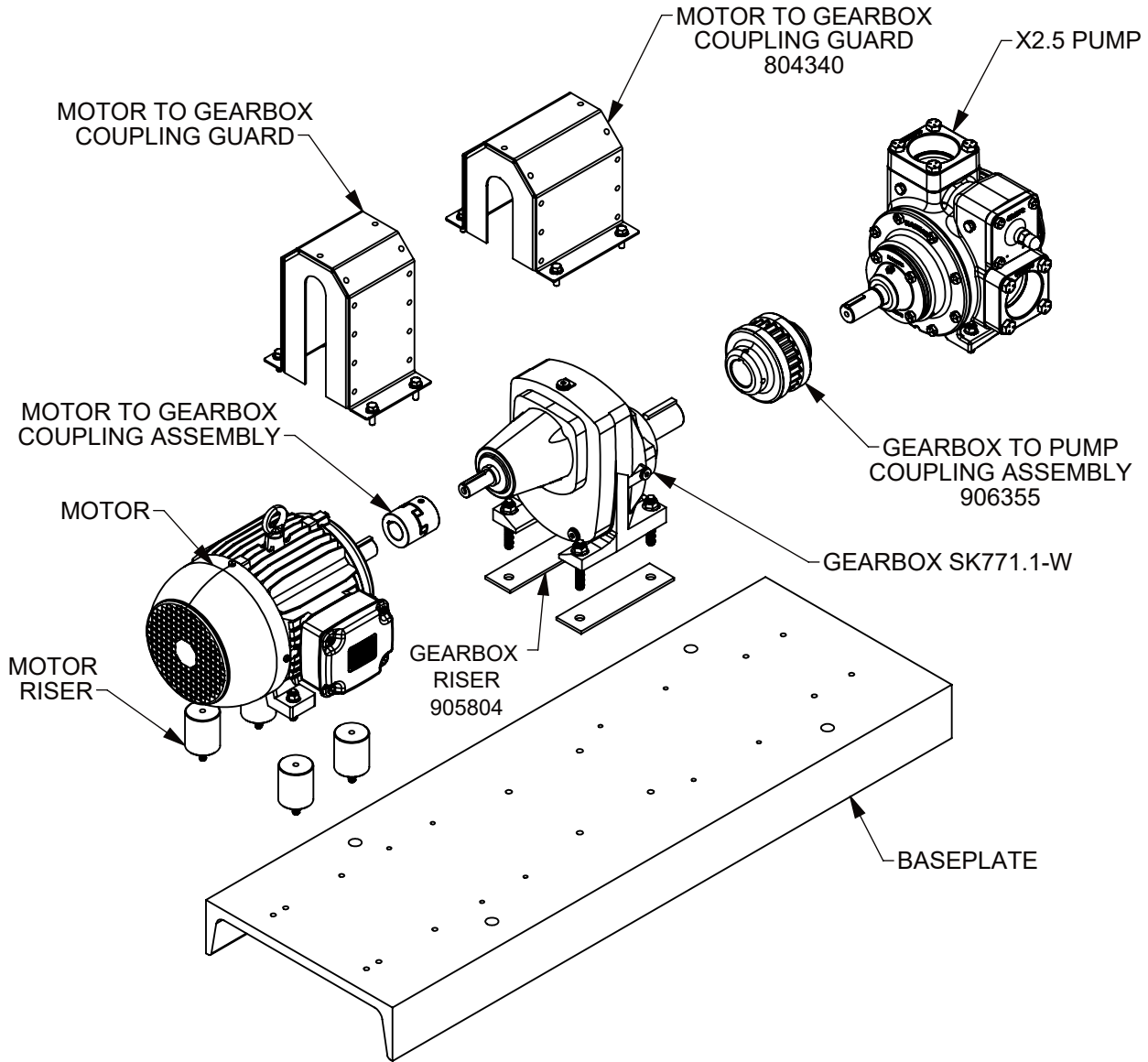




TYPE	SIZE	UNIT STYLE
X	2.5	SK771

PARTS LIST 101-H12	
Section Effective Replaces Page 1 / 1	101 Sept 2023 NEW

RIGHT HAND ROTATION SHOWN. FOR LEFT HAND ROTATION, SHAFT IS OPPOSITE THAT SHOWN.



NORD SK771.1-W GEARBOX PART NUMBERS			BASEPLATE AND MOTOR RISER PART NUMBERS		
RATIO	INPUT/OUTPUT	PART NUMBER	MOTOR FRAME	BASEPLATE	MOTOR RISER
2.15:1	1750/814 RPM	813131	182T/184T	901466	905810
2.65:1	1750/660 RPM	803108	213T/215T	901468	905814
3.38:1	1750/518 RPM	803109	254T/256T	901470	905821
3.75:1	1750/467 RPM	813132	COUPLING AND GUARD PART NUMBER		
4.14:1	1750/423 RPM	803110			
4.96:1	1750/353 RPM	803111	MOTOR FRAME	MOTOR TO GEARBOX COUPLING ASSY	MOTOR TO GEARBOX COUPLING GUARD
5.41:1	1750/323 RPM	803112	182T/184T	906310	804308
6.23:1	1750/281 RPM	803113	213T/215T	906311	804317
7.68:1	1750/228 RPM	803114	254T/256T	906309	804349
8.5:1	1750/206 RPM	803115			