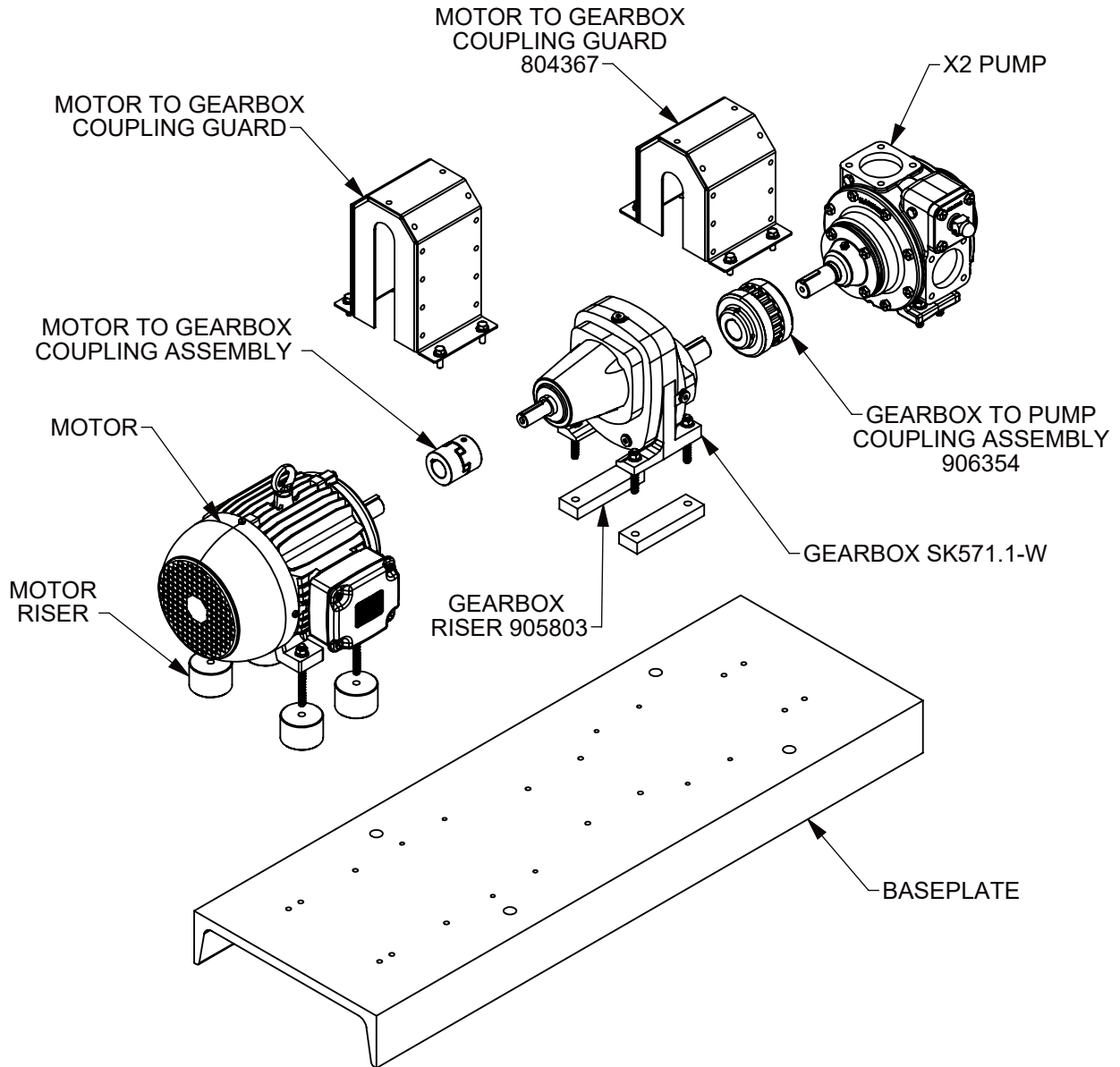




TYPE	SIZE	UNIT STYLE
X	2	SK571

PARTS LIST 101-H11	
Section Effective Replaces Page 1 / 1	101 Sept 2023 NEW

RIGHT HAND ROTATION SHOWN. FOR LEFT HAND ROTATION, SHAFT IS OPPOSITE THAT SHOWN.



NORD SK571.1-W GEARBOX PART NUMBERS			BASEPLATE AND MOTOR RISER PART NUMBERS		
RATIO	INPUT/OUTPUT	PART NUMBER	MOTOR FRAME	BASEPLATE	MOTOR RISER
2.23:1	1750/785 RPM	813141	182T/184T	901465	905814
2.50:1	1750/700 RPM	813142	213T/215T	901467	905820
2.82:1	1750/621 RPM	803101	COUPLING AND GUARD PART NUMBER		
3.42:1	1750/512 RPM	803102	MOTOR FRAME	MOTOR TO GEARBOX COUPLING ASSY	MOTOR TO GEARBOX COUPLING GUARD
4.38:1	1750/400 RPM	803103	182T/184T	906310	804308
5.46:1	1750/321 RPM	803104	213T/215T	906311	804317
5.99:1	1750/292 RPM	803105			
7.42:1	1750/236 RPM	803106			
9.51:1	1750/184 RPM	803107			