

BLACKMER PARTS LIST

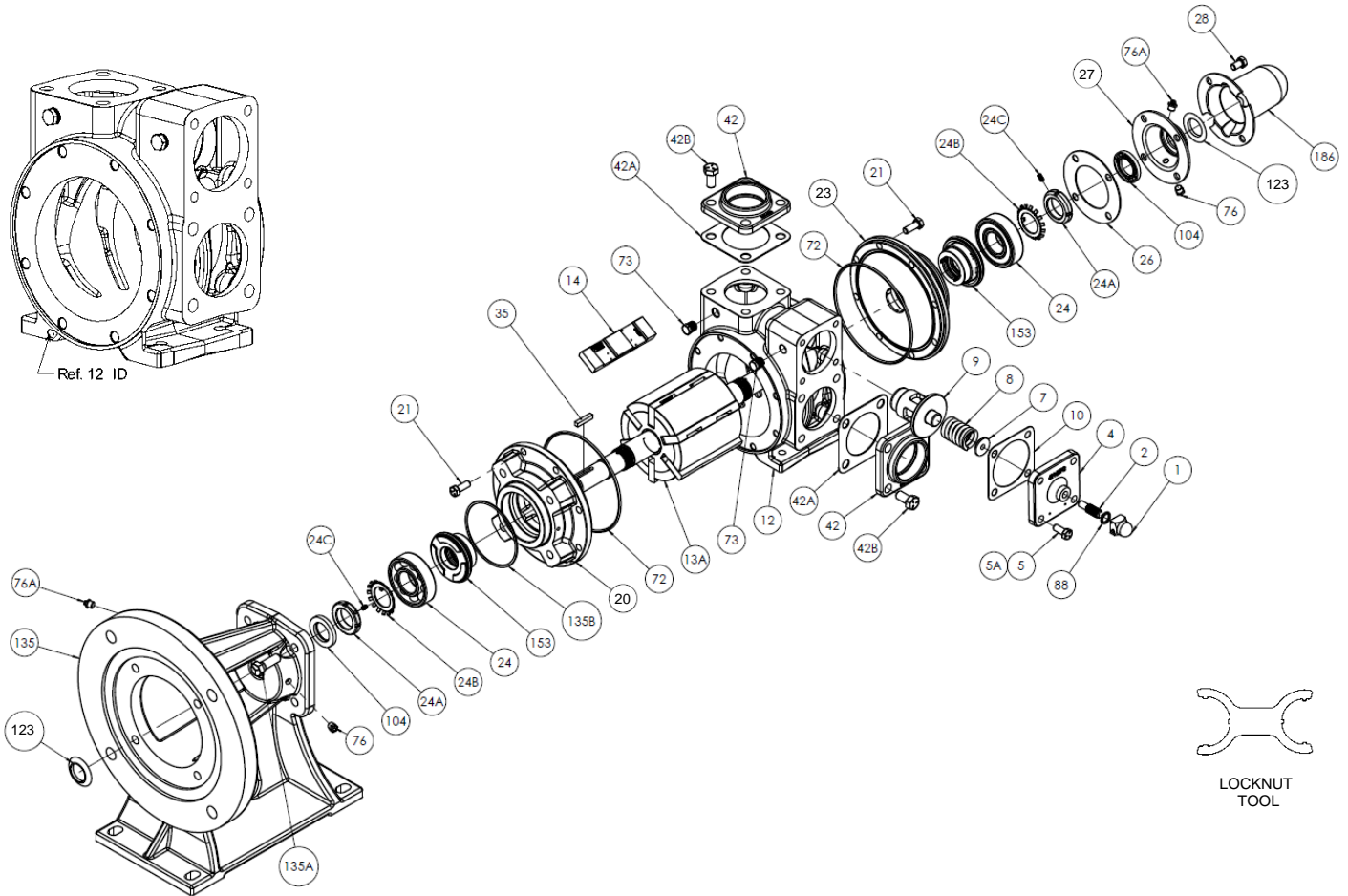
PUMP MODELS: X1225A (Direct Drive)

961926
Page 1 of 2

PARTS LIST
101-D02

Keep with Instructions 101-D00 for Installation, Operation and Maintenance

Section	101
Effective	Aug 2023
Replaces	New

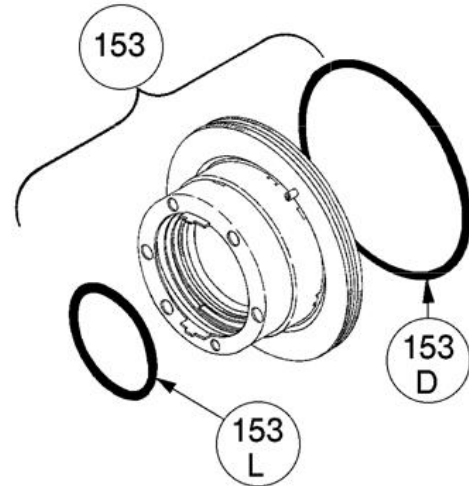


Ref. No.	Description	Parts Per Pump	Part No.	Ref. No.	Description	Parts Per Pump	Part No.
1	Cap – Relief Valve (R/V)	1	411453	26	Gasket – Bearing Cover	1	¹ 381406
2	Adjusting Screw – R/V	1	431401	27	Bearing Cover	1	041431
4	Cover – Relief Valve	1	411607	28	Capscrews – Bearing Cover	4	920285
5	Capscrew – R/V Cover	3	920316	35	Key – Shaft	1	¹ 909209
5A	Capscrew w / Hole – R/V Cover	1	920310	42 –	Flanges, Flange Gaskets / O-rings, and Flange Capscrews		See Backside
7	Spring Guide – R/V	1	423955	42C			
8	Spring – R/V (51-110 PSI) (Std.)	1	471631	72	O-Ring – Head (FKM)	2	¹ 701914
	Spring – R/V (111-125 PSI)		471614		O-Ring – Head (PTFE)		702091
9	Valve – R/V – Standard ³	1	451623		O-Ring – Head, EPDM		711988
	Valve – R/V – Nickel Plated	1	451624	73	Gage Plug	2	908198
10	Gasket – R/V Cover	1	¹ 531603	76	Grease Fitting	2	317815
12	Cylinder (Note Series 1200 ID mark)	1	021680	76A	Grease Relief Fitting	2	701992
13	Rotor & Shaft Assembly ² (Double Ended)	1	² 261680	88	Gasket – R/V Cap	1	¹ 701981
14	Vane – Duravane	6	¹ 091619	104	Grease Seal	2	¹ 331918
20	Head – Outboard	1	031425	123	Dirt Shield	2	¹ 701480
21	Capscrews – Head	16	920331	135 -	Adaptor, Adaptor O-ring, Adaptor and Motor Capscrews and Nuts		See Backside
23	Head – Inboard	1	031427	135D			
24	Ball Bearing	2	¹ 903156	153	Mechanical Seal	2	See Backside
24A	Locknut Assembly w/setscrew 24C	2	¹ 903583	186	Shaft Protector	1	341601
24B	Lockwasher – Bearing	2	¹ 903522		Tool - Locknut		903091
24C	Setscrew – Locknut (in 24A)	2	924060		Kit – Maintenance (X1225A)		898961

¹ Included in Maintenance Kit ² Includes Ref. Nos. 24A, 24B, & 24C

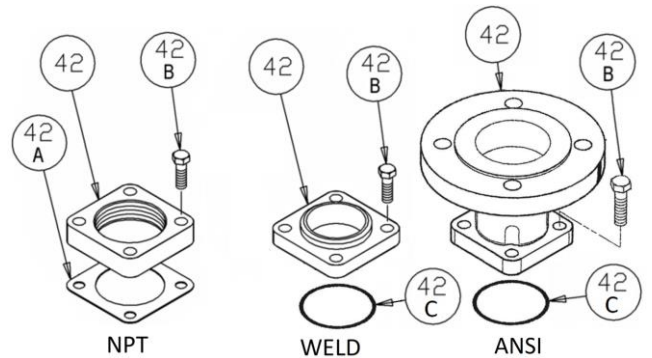
MECHANICAL SEALS

REF. NO.	PART NAME	PARTS PER PUMP	PART NO.
153	Mechanical Seal Complete - Cast Iron Stationary Seat, Carbon Seal Face, FKM O-Rings. (IVCV)	2	¹ 331655
	Mechanical Seal Complete - Cast Iron Stationary Seat, Carbon Seal Face, PTFE O-Rings. (IACA)		331643
	Mechanical Seal Complete - Cast Iron Stationary Seat, Carbon Seal Face, EPDM O-Rings. (IECE)		331680
153D	O-Ring – Stationary (FKM)	2	701921
	O-Ring – Stationary (PTFE)		702056
	O-Ring – Stationary (EPDM)		702356
153L	O-Ring – Rotating (FKM)	2	701980
	O-Ring – Rotating (PTFE)		702109
	O-Ring – Rotating (EPDM)		702352



FLANGES

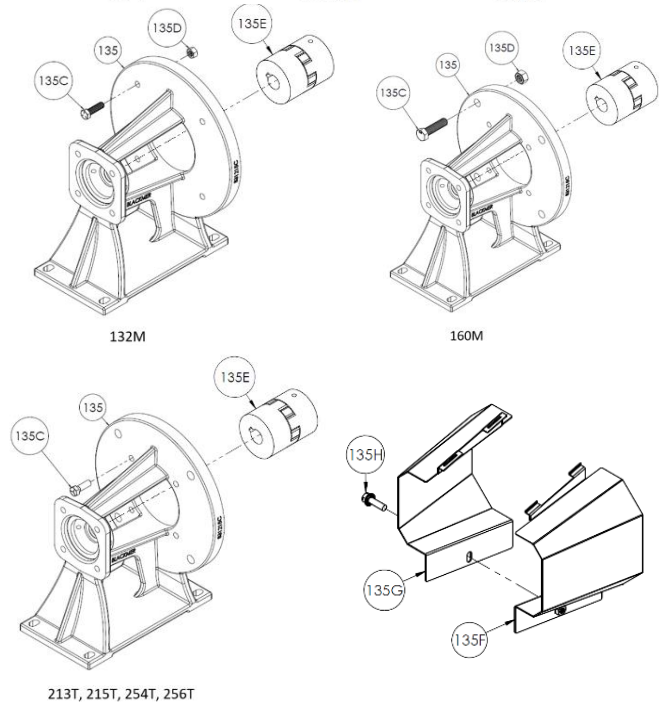
REF. NO.	PART NAME	PARTS PER PUMP	PART NO.
42	Flange – 2 ½" NPT	2	651611
	Flange – 2 ½" Weld		651610
	Flange – 2 ½" ANSI		65617
42A	Gasket – Flange, NPT and Weld	1	381650
42B	Capscrews – 2 ½" NPT Flange	8	920532
	Capscrews – 2 ½" Weld		920491
	Capscrews – ANSI Flanges		920491
42C	O-Ring – ANSI Flange (FKM)	2	¹ 701924
	O-Ring – ANSI Flange (PTFE)		702079
	O-Ring – ANSI Flange (EPDM)		702098



ADAPTORS

REF. NO.	PART NAME	PARTS PER PUMP	PART NO.
135	Adapter – 132	1	831215
	Adapter – 160, 213T, 215T, 254T, 256T	1	831216
135A	Capscrew	4	920491
135B	O-Ring (FKM)	1	¹ 701991
135C	Capscrews – 132	4	794094
	Capscrews – 160	4	920180
	Capscrews – 213T, 215T, 254T, 256T	4	098277
135D	Hex Nuts – 132	4	790127
	Hex Nuts – 160 (M18)	4	920181
135E	Coupling assembly 132	1	906400
	Coupling assembly 160	1	906401
	Coupling assembly 213T/215T	1	906402
	Coupling assembly 254T/256T	1	906403
135F	Guard - Left	1	804371
135G	Guard - Right	1	804372
135H	Cap screw	1	920950

¹ Included in Maintenance Kit



1809 Century Avenue, Grand Rapids, Michigan 49503-1530, U.S.A.
 Telephone: (616) 241-1611 / Fax: (616) 241-3752
 E-Mail: blackmer@blackmer.com / Internet: www.blackmer.com