

# BLACKMER PARTS LIST

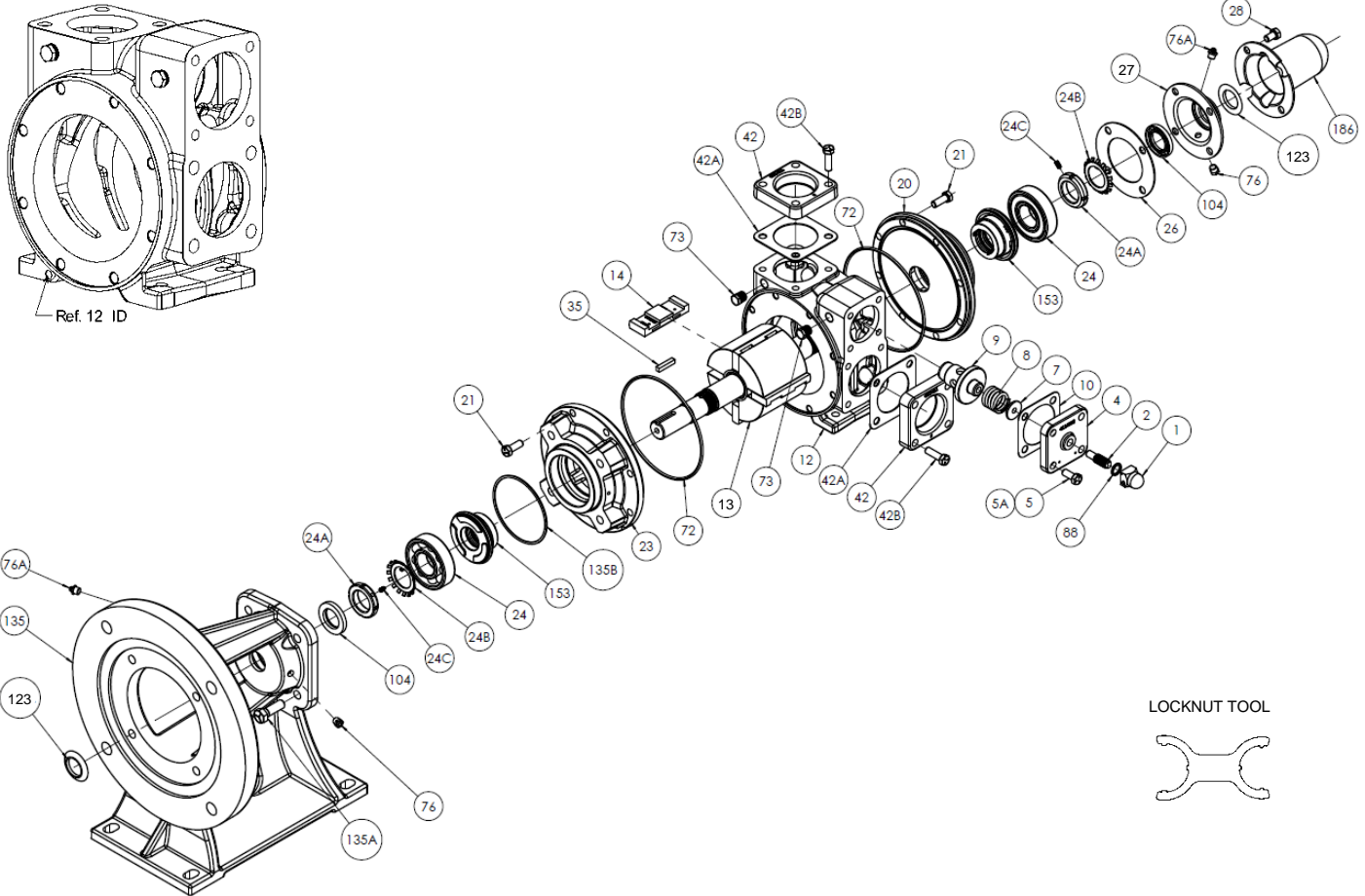
## PUMP MODEL: X1220A (Direct Drive)

961925  
Page 1 of 2

**PARTS LIST**  
**101-D01**

Keep with Instructions 101-D00 for Installation, Operation and Maintenance

Section	101
Effective	Aug 2023
Replaces	New



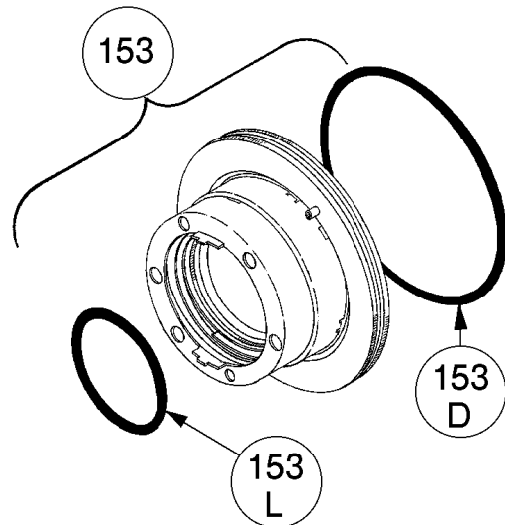
Ref. No.	Description	Parts Per Pump	Part No.	Ref. No.	Description	Parts Per Pump	Part No.
1	Cap – Relief Valve (R/V)	1	411453	24C	Setscrew – Locknut (in 24A)	2	924060
2	Adjusting Screw – R/V	1	431401	26	Gasket – Bearing Cover	1	<sup>1</sup> 381406
4	Cover – R/V	1	411401	27	Bearing Cover	1	041431
5	Capscrew – R/V Cover	3	920316	28	Capscrews – Bearing Cover	4	920285
5A	Capscrew w / Hole – R/V Cover	1	920310	35	Key – Shaft	1	<sup>1</sup> 909209
7	Spring Guide – R/V	1	423955	42 –	Flanges, Flange Gaskets / O-rings, and Flange Capscrews	1	See Backside
8	Spring – R/V (36-50 psi)	1	471415	42C			
	Spring – R/V (51-75 psi)		471420	72	O-Ring – Head (FKM)	2	<sup>1</sup> 701914
	Spring – R/V (76-110 psi) (Std.)		471425		O-Ring – Head (PTFE)		702091
	Spring – R/V (111-125 psi)		471428		O-Ring – Head (EPDM)		711988
9	Valve – R/V (Std.)	1	451417	73	Gage Plug	2	908198
	Valve – R/V (Ni Plated)		451415	76	Grease Fitting	2	317815
10	Gasket – R/V Cover	1	<sup>1</sup> 531403	76A	Grease Relief Fitting	2	701992
12	Cylinder (Note Series 1200 ID mark)	1	021480	88	Gasket – R/V Cap	1	<sup>1</sup> 701981
13	Rotor & Shaft – Double Ended	1	<sup>2</sup> 261480	104	Grease Seal	2	331918
14	Vane – Duravane	4	<sup>1</sup> 091419	123	Dirt Shield	2	701480
20	Head (Std.) - Outboard	1	031425	135-	Adaptor, Adaptor O-ring, Adaptor and Motor Capscrews and Nuts		See Backside
21	Capscrews – Head	16	920331	135D			
23	Head – Inboard	1	031427	153	Mechanical Seal	2	See Backside
24	Ball Bearing	2	<sup>1</sup> 903156	186	Shaft Protector	1	341601
24A	Locknut Assembly w/ setscrew 24C	2	<sup>1</sup> 903583		Tool - Locknut		903091
24B	Lock washer - Bearing	2	903522		Kit – Maintenance (X1220A)		898960

<sup>1</sup> Included in Maintenance Kit

<sup>2</sup> Includes 24A, 24B & 24C

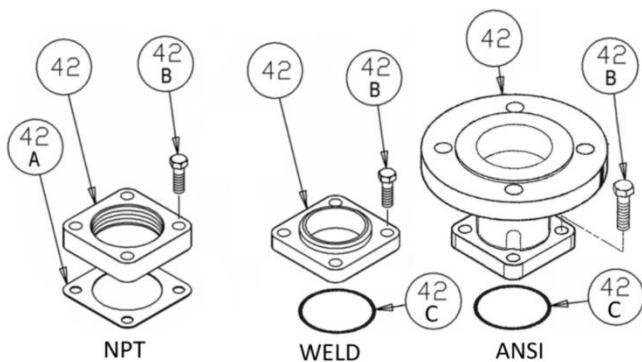
## MECHANICAL SEALS

REF. NO.	PART NAME	PARTS PER PUMP	PART NO.
153	Mechanical Seal Complete Cast Iron Stationary Seat, FKM O-Rings, Carbon Seal Face. (IVCV)	2	<sup>1</sup> 331655
	Mechanical Seal Complete Cast Iron Stationary Seat, PTFE O-Rings, Carbon Seal Face. (IACA)		331643
	Mechanical Seal Complete Cast Iron Stationary Seat, EPDM O-Rings, Carbon Seal Face. (IECE)		331680
153D	O-Ring – Stationary (FKM)	2	701921
	O-Ring – Stationary (PTFE)		702056
	O-Ring – Stationary (EPDM)		702356
153L	O-Ring – Rotating (FKM)	2	701980
	O-Ring – Rotating (PTFE)		702109
	O-Ring – Rotating (EPDM)		702352



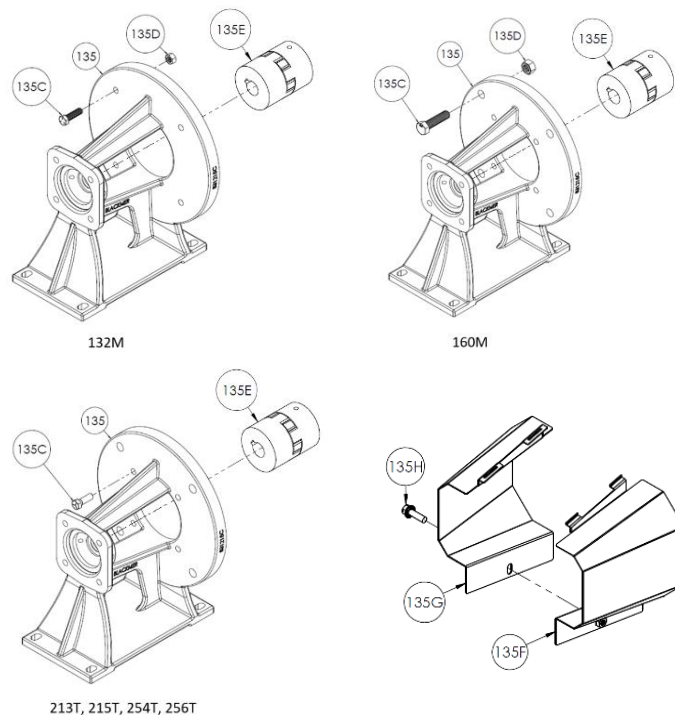
## FLANGES

REF. NO.	PART NAME	PARTS PER PUMP	PART NO.
42	Flange – 2" NPT	2	651411
	Flange – 2" Weld		654405
	Flange – 2" ANSI		651417
42A	Gasket – Flange, NPT and Weld	0 – 2	<sup>1</sup> 381421
42B	Capscrews – 2" NPT Flange	8	920351
42C	O-Ring – ANSI Flange (FKM)	2	<sup>1</sup> 701921
	O-Ring – ANSI Flange (PTFE)		702056
	O-Ring – ANSI Flange (EPDM)		702356



## ADAPTORS

REF. NO.	PART NAME	PARTS PER PUMP	PART NO.
135	Adapter – 132	1	831215
	Adapter – 160, 213T, 215T, 254T, 256T	1	831216
135A	Capscrew	4	920491
135B	O-Ring (FKM)	1	<sup>1</sup> 701991
135C	Capscrews – 132	4	794094
	Capscrews – 160	4	920180
	Capscrews – 213T, 215T, 254T, 256T	4	098277
135D	Hex Nuts – 132	4	790127
	Hex Nuts – 160	4	920181
135E	Coupling assembly 132	1	906400
	Coupling assembly 160	1	906401
	Coupling assembly 213T/215T	1	906402
	Coupling assembly 254T/256T	1	906403
135F	Guard - Left	1	804371
135G	Guard - Right	1	804372
135H	Cap screw	1	920950



<sup>1</sup> Included in Maintenance Kit



1809 Century Avenue, Grand Rapids, Michigan 49503-1530, U.S.A.  
Telephone: (616) 241-1611 / Fax: (616) 241-3752  
E-Mail: blackmer@blackmer.com / Internet: www.blackmer.com

Parts List 101-D01  
Page 2 of 2