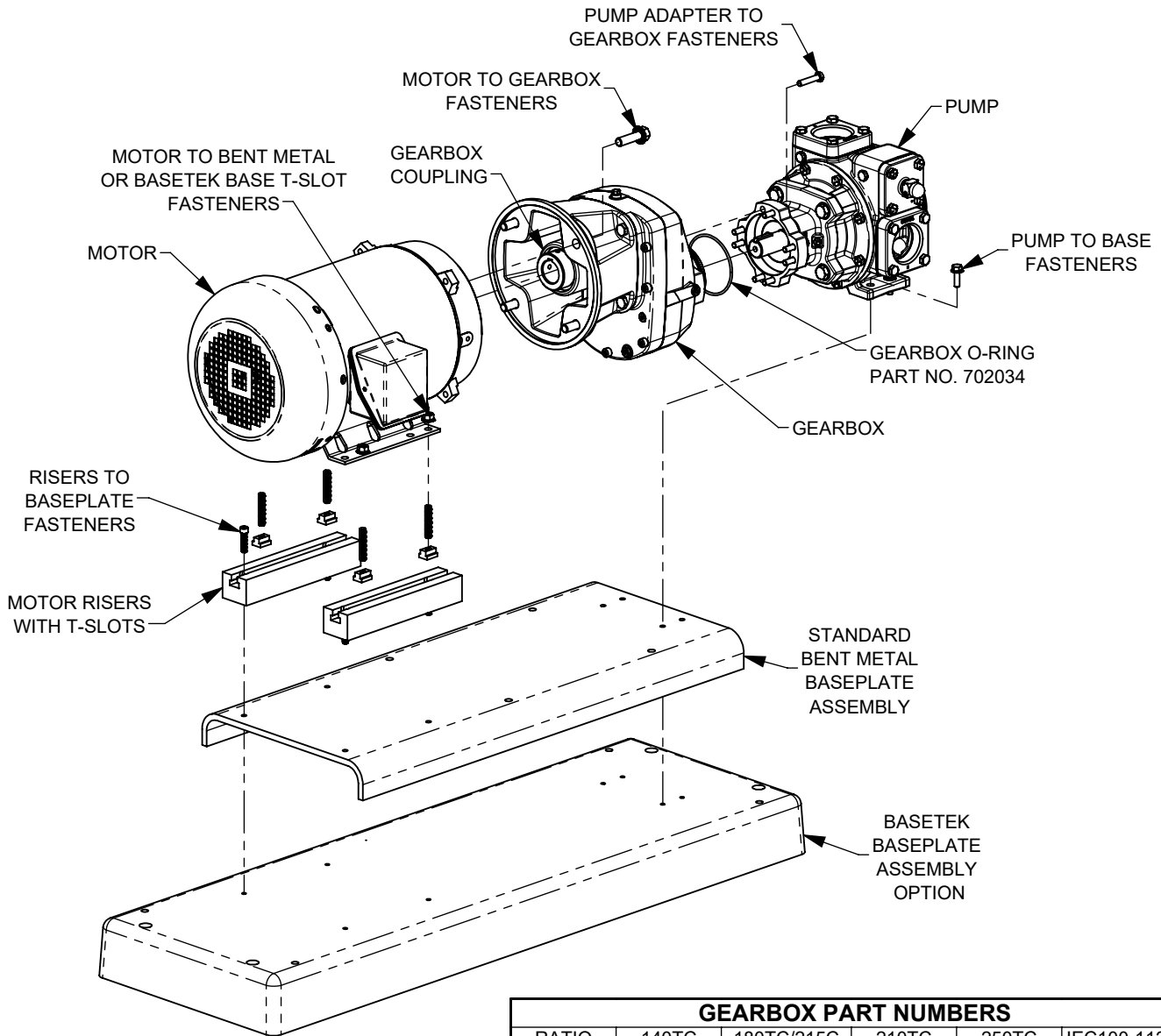




TYPE	SIZE	UNIT STYLE	PARTS LIST 011-045	
			Section Effective Replaces Page 1 / 1	101,701,801,501,107,105 JAN 2022 MARCH 2021
GNX, GNXH, CRL, SGL, XL, XLW	2" 2.5"	N15		



GEARBOX COUPLINGS		GEARBOX PART NUMBERS					
PART NUMBER	DESCRIPTION	RATIO	140TC	180TC/215C	210TC	250TC	IEC100-112 B5
906520	SK771.1 140TC	2.15	N/A	812330	812331	812332	812333
906521	SK771.1 180TC/215C	2.65	N/A	812340	812341	812342	812343
906522	SK771.1 210TC	3.38	N/A	812350	812351	N/A	812353
906523	SK771.1 250TC	3.75	N/A	812360	812361	N/A	812363
		4.14	812369	812370	812371	N/A	812373
		4.96	812379	812380	812381	N/A	812383
		5.41	812389	812390	N/A	N/A	812393

2" GNX, GNXH, CRL, SGL, XL, XLW MODELS				2.5" GNX, GNXH MODELS			
MOTOR FRAME SIZE	BENT METAL BASE ASSEMBLY - INCLUDES FASTENERS	BASETEK BASE OPTION ASSEMBLY OPTION - INCLUDES FASTENERS, MOTOR SPACERS AND STUDS	MOTOR TO GEARBOX FASTENERS	MOTOR FRAME SIZE	BENT METAL BASE ASSEMBLY - INCLUDES FASTENERS	BASETEK BASE OPTION ASSEMBLY OPTION - INCLUDES FASTENERS, MOTOR SPACERS AND STUDS	MOTOR TO GEARBOX FASTENERS
QTY	1X	1X	4X	QTY	1X	1X	4X
143TC	905710	N/A	920950	182TC	905721	905761	920951
145TC		905750		184TC			
182TC	905711	905751	920951	213TC	905722	905762	920954
184TC				215TC			
213TC	905712	905752	920954	215C	905728	N/A	920951
215TC				254TC		920951	
215C	905718	N/A	920950	256TC	905723	905763	909670