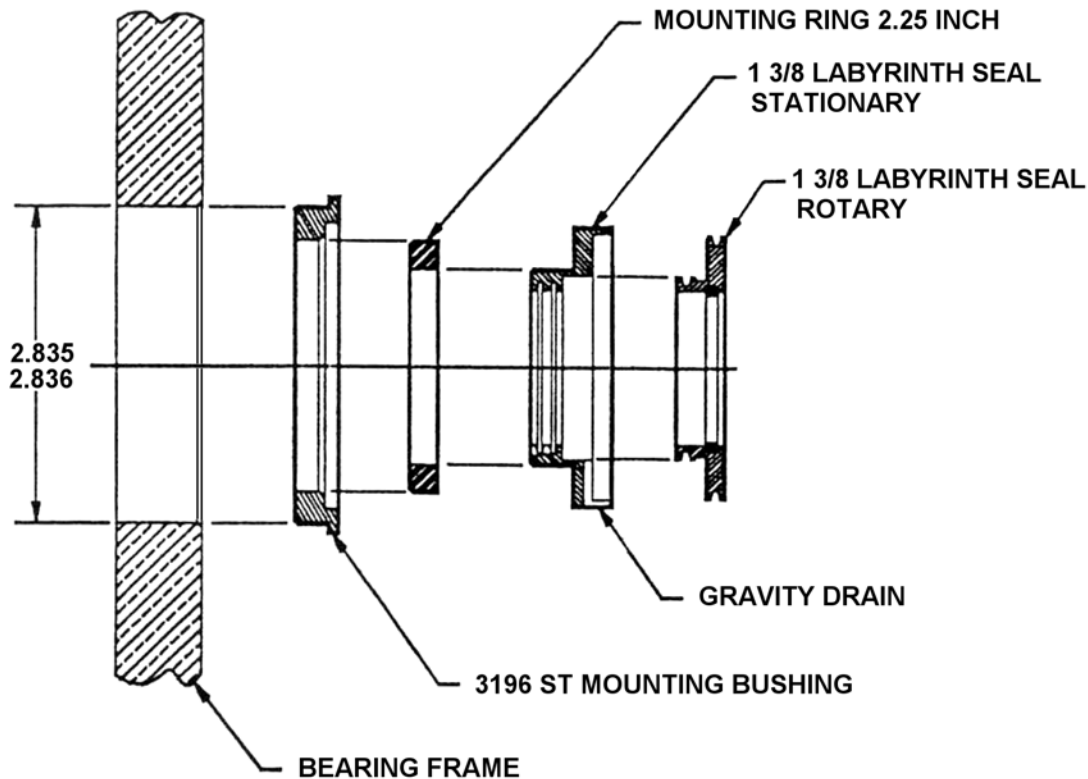


LABYRINTH SEAL - INSTRUCTIONS 316 ST MOUNTING BUSHING ASSEMBLY

Section	Forms
Effective	Oct 2004
Replaces	ASD195,rev B



LUBRICATION

Lubricate the FKM O-ring and the seal mounting ring of the Blackmer 1-3/8 Labyrinth Seal.

INSTALLATION

Press the Blackmer 1-3/8 Labyrinth Seal stationary with the 2.25 inch diameter mounting ring (2nd largest) into the 316 ST Mounting Bushing.

Install the assembled piece into the bearing frame bore with the gravity drain at six o'clock. There is a metal to metal press fit; no Buna-N mounting ring is required.

Insert the lubricated FKM O-ring in the Blackmer 1-3/8 Labyrinth Seal rotary.

Install the rotary over the shaft.

MAINTENANCE

As this is a non-contacting seal, no maintenance is required. However, an occasional visual inspection of the seal is recommended.

CAUTION

Care should be taken not to damage the corrosion resistant coating on the stationary.

The O-ring must be protected from sharp edges or burrs on the shafts.

When using the Labyrinth Seal in an explosive atmosphere, consult factory before installation.

