



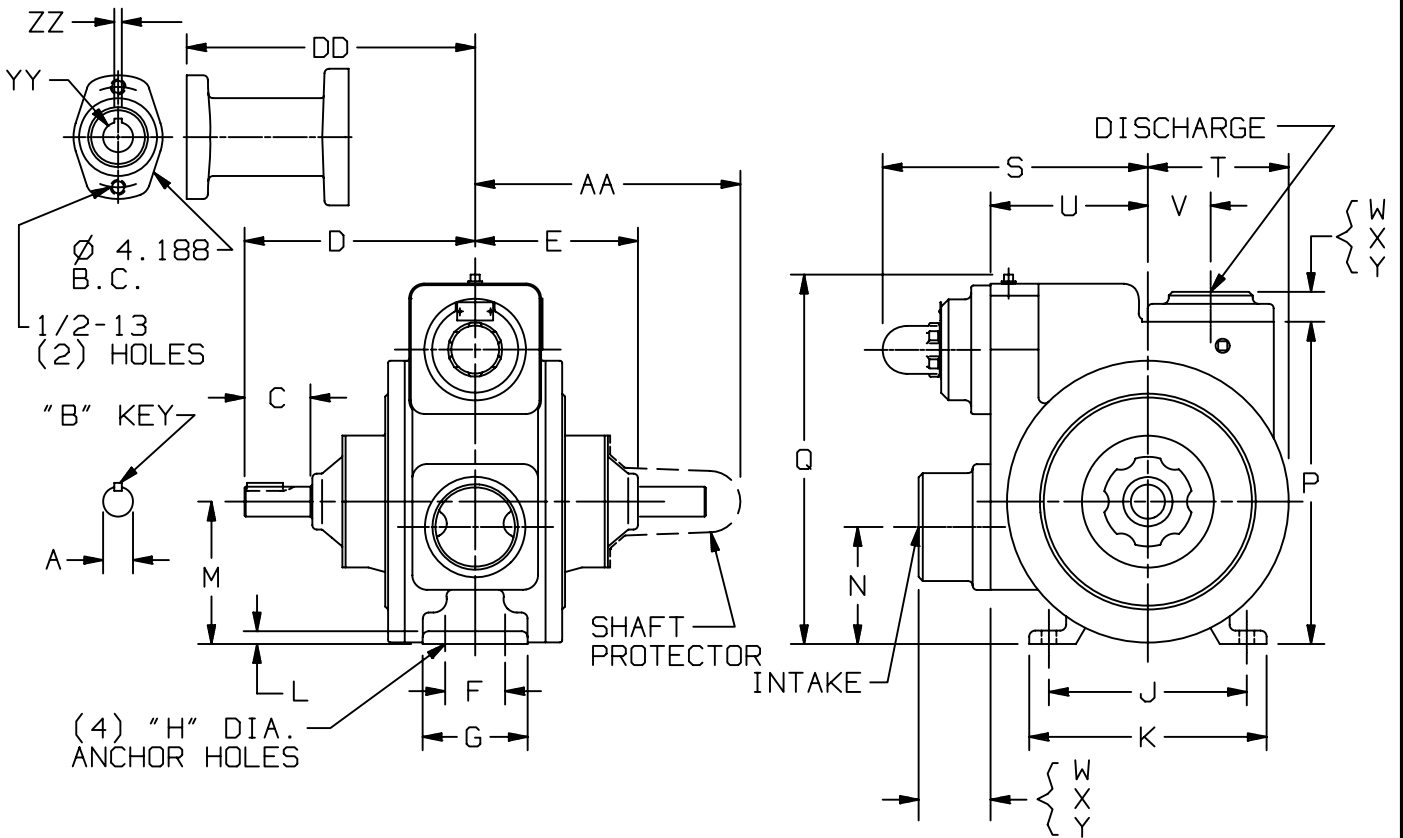
www.blackmer.com

TYPE	SIZE	UNIT STYLE
CRL	4	PO

DIMENSIONS 701-109	
Section	701
Effective	AUG 2002
Replaces	JAN 2002

KEYED SHAFT HYDRAULIC DRIVE OPTION (SAE "A")

RIGHT HAND ROTATION.



OPTIONAL PIPE CONNECTIONS:  
INTAKE DISCHARGE

W=4" WELD FLG., STL.-STD. X=3" WELD FLG., STL.-STD.  
 X=3" WELD FLG., STL.-STD. Y=3" NPT FLG., NODULAR  
 Y=3" NPT FLG., NODULAR

MOTOR			UNITS	DIMENSIONS									
FRAME SIZE				A	B	C	D	E	F	G	H	J	K
			IN	1 1/4	5/16	2 3/4	9 5/8	6 3/4	2 1/2	4 3/8	5/8	8 1/4	9 15/16
			MM	31,8	7,9	69,9	244,5	171,5	63,5	111,1	15,9	209,6	252,5
				L	M	N	P	Q	R	S	T	U	V
			IN	9/16	5 15/16	4 7/8	13 7/16	15 7/16	—	11 1/16	5 7/8	6 9/16	2 5/8
			MM	14,3	150,9	123,8	341,4	392,2	—	281,0	149,2	166,6	66,7
				W	X	Y	Z	AA	BB	CC	DD	YY	ZZ
			IN	3	1 1/4	1 1/2	—	11 1/16	—	—	12 1/16	1 1/4	5/16
			MM	76,2	31,8	38,1	—	281,0	—	—	306,3	31,8	7,9
				WEIGHT									
			LBS	205									
			KG	93									



TYPE

SIZE

UNIT  
STYLE

CRL

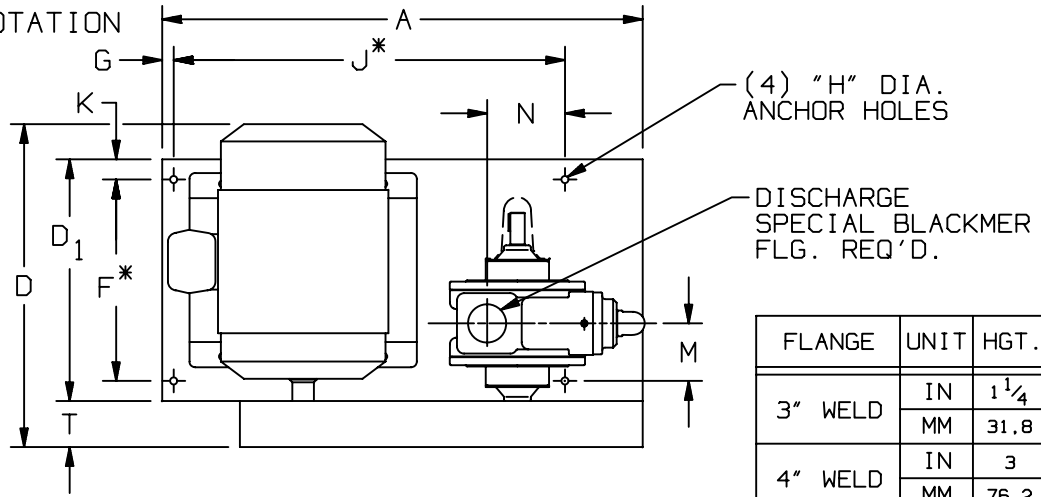
4

VB

DIMENSIONS 701-109

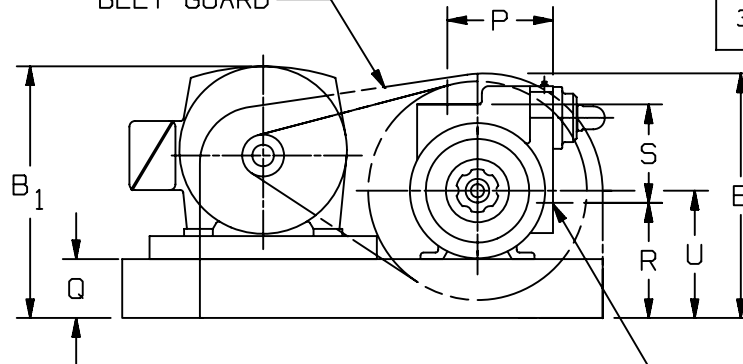
Section 701  
Effective JAN 2002  
Replaces 701/135 SEPT 1989

RIGHT HAND ROTATION



FLANGE	UNIT	HGT.
3" WELD	IN	1 1/4
	MM	31.8
4" WELD	IN	3
	MM	76.2
3" NPT	IN	1 1/2
	MM	38.1

BELT GUARD



UNIT DIMENSIONS LESS FLANGES

\* TOLERANCE ±1/8

TOLERANCE ON OTHER DIMENSIONS ±1/4

INTAKE  
SPECIAL BLACKMER  
FLG. REQ'D.

SPEED		H.P.		UNIT NO.	DIMENSIONS																				
1800	1200	FRAME SIZE	1800		1200	UNIT	A	B	B <sub>1</sub>	D	D <sub>1</sub>	F	G	H	J	K	M	N	P	Q	R	S	T	U	
330	220	213T	7.5	3	872020	IN	41 3/4	21 3/4	—	25 5/8	21	17 1/2	1	5/8	34	1 3/4	5	6 3/4	9 3/16	5 1/8	10	8 9/16	4 1/8	11 1/16	
						MM	1060,5	552,5	—	650,9	533,4	444,5	25,4	15,9	863,6	44,5	127	171,5	233,4	130	254	217,5	104,8	281	
330	220	215T	10	5	872021	IN			—	25 5/8															
						MM			—	650,9															
420	280	215T	10	5	872013	IN			—	25 5/8															
						MM			—	650,9															
420	280	254T	15	7.5	872015	IN			—	25 3/4															
						MM			—	654,1															
520	340	254T	15	7.5	872018	IN			—	25 3/4															
						MM			—	654,1															
520	340	256T	20	10	872016	IN			—	27 1/2															
						MM			—	698,5															
640	420	254T	15	7.5	872014	IN			—	25 3/4															
						MM			—	654,1															
640	420	284T	25	15	872017	IN			22 1/4	28 3/4															
						MM			565,2	730,3															

SAME AS ABOVE



