



www.blackmer.com

TYPE

CRL

SIZE

1.25

1.5

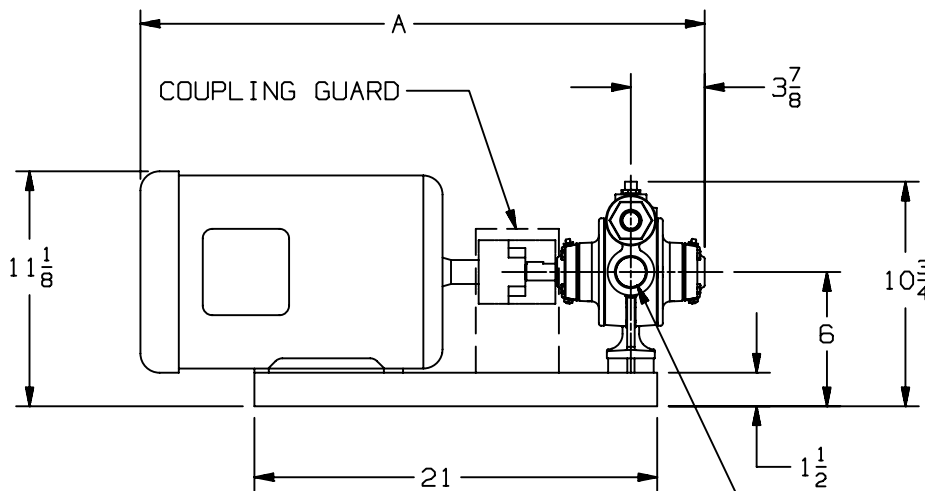
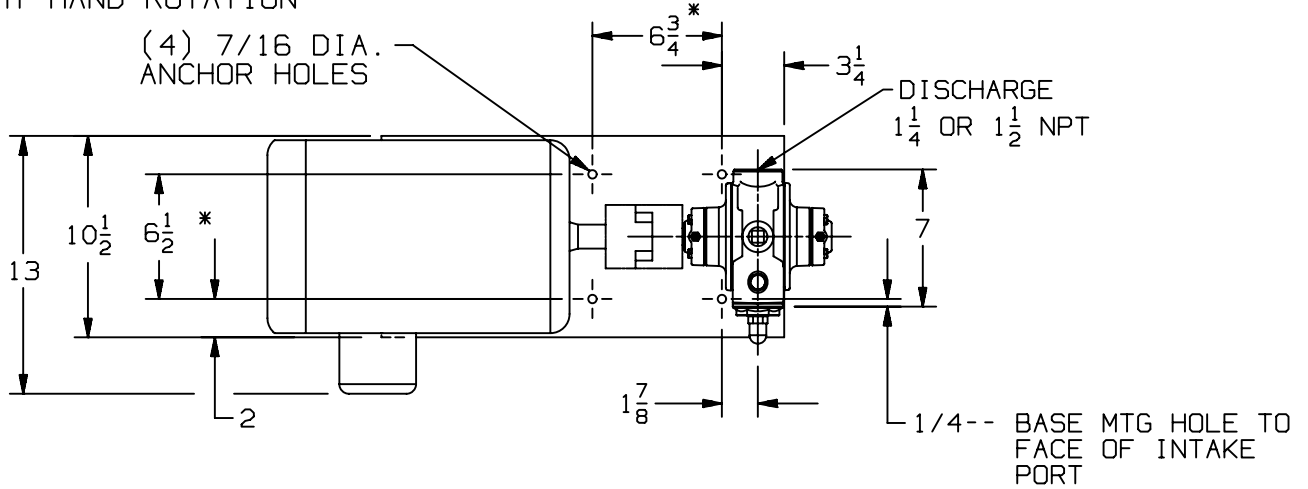
UNIT
STYLE

DM

DIMENSIONS 701-101

Section 701
Effective August 2002
Replaces December 2000
Page 2/3

RIGHT HAND ROTATION



ALL DIMENSIONS IN INCHES

* TOLERANCE $\pm 1/8$

TOLERANCE ON OTHER DIMENSIONS $\pm 1/4$

PUMP SIZE	GPM AT 30 PSI	PUMP SPEED	H.P.	UNIT NO.	DIMENSIONS	
					A	
CRL1 1/4	9	900	1	842300	26 3/4	
CRL1 1/2	15	900	1 1/2	842600	28	

DIMENSIONS 701-101

Section 701
 Effective August 2002
 Replaces December 2000
 Page 3/3

TYPE

SIZE

UNIT
 STYLE

CRL

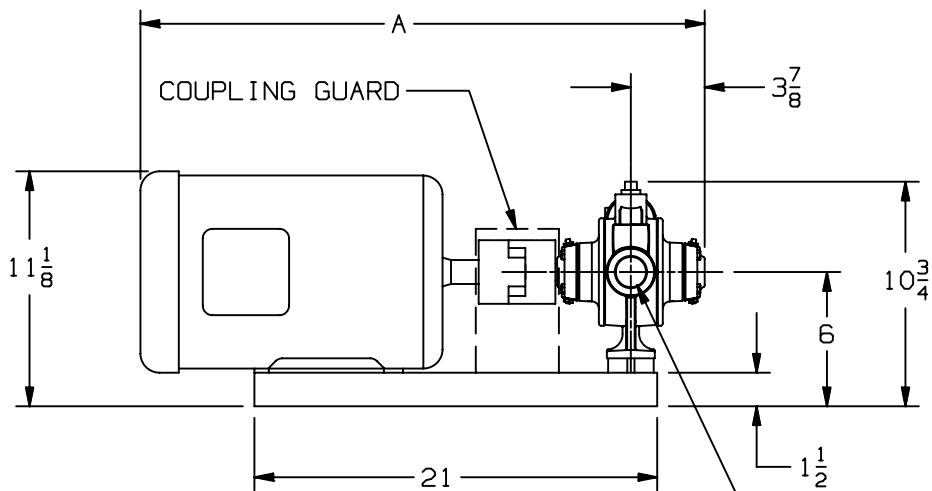
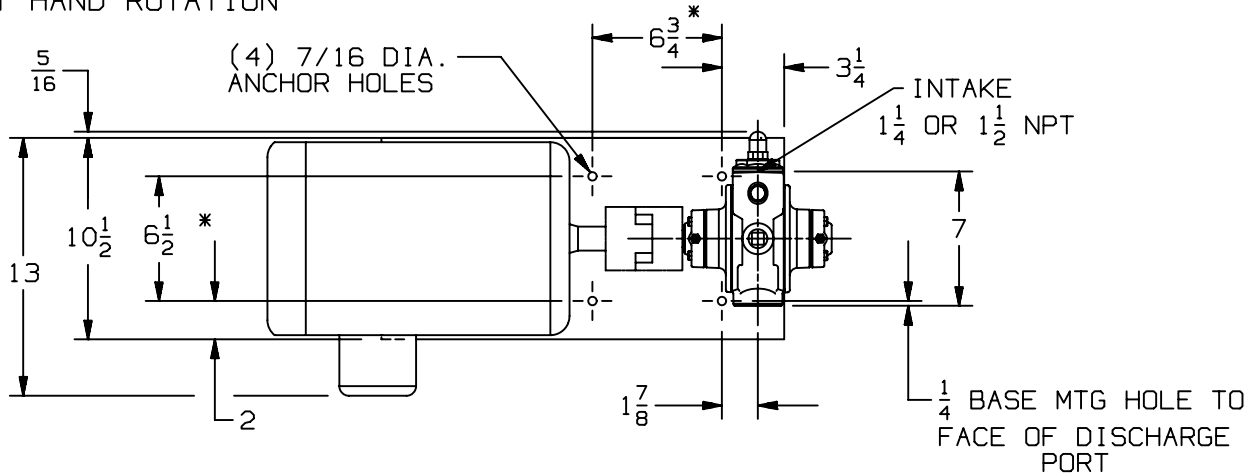
1.25

DM

1.5



LEFT HAND ROTATION



ALL DIMENSIONS IN INCHES
 * TOLERANCE $\pm 1/8$
 TOLERANCE ON OTHER DIMENSIONS $\pm 1/4$

PUMP SIZE	GPM AT 30 PSI	PUMP SPEED	H.P.	UNIT NO.	DIMENSIONS	
					A	
CRL1 1/4	9	900	1	842301	26 3/4	
CRL1 1/2	15	900	1 1/2	842601	28	