
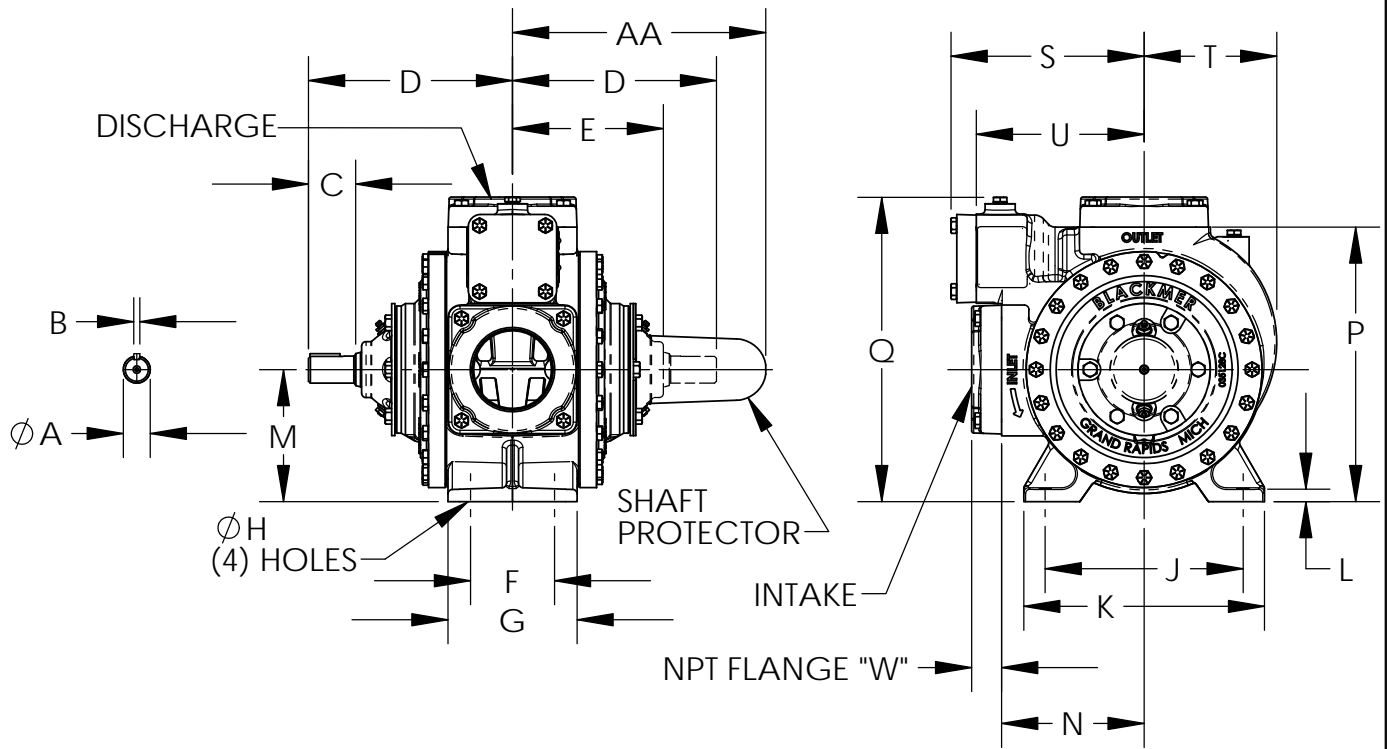


DIMENSIONS 501-123		TYPE	SIZE	UNIT STYLE	 <a href="http://www.blackmer.com">www.blackmer.com</a>
Section Effective Replaces Page 1 / 1	501 MARCH 2012 JANUARY 2012	LGL3021A	3	PO	



OPTIONAL PIPE CONNECTIONS:  
 3" NPT FLANGE, NODULAR  
 4" NPT FLANGE, NODULAR

MOTOR		UNITS	DIMENSIONS									
FRAME SIZE			A	B	C	D	E	F	G	H	J	K
		IN	1 1/8	1/4	2	8 1/2	6 5/16	3 1/2	5 3/8	17/32	8 1/4	10
		MM	28,6	6,4	50,8	215,9	160,3	88,9	136,5	13,5	203,2	254
			L	M	N	P	Q	R	S	T	U	V
		IN	1/2	5 1/2	5 15/16	11 7/16	12 11/16		7 15/16	5 1/2	7	
		MM	12,7	139,7	150,8	290,5	322,3		201,6	139,7	177,8	
			W	X	Y	Z	AA	BB	CC	DD	EE	FF
		IN	1 1/4				10 9/16					
		MM	31,7				268,3					
			PUMP WEIGHT		WITH STD FLANGES							
			150 LBS		157 LBS							
			68 KG		71 KG							