

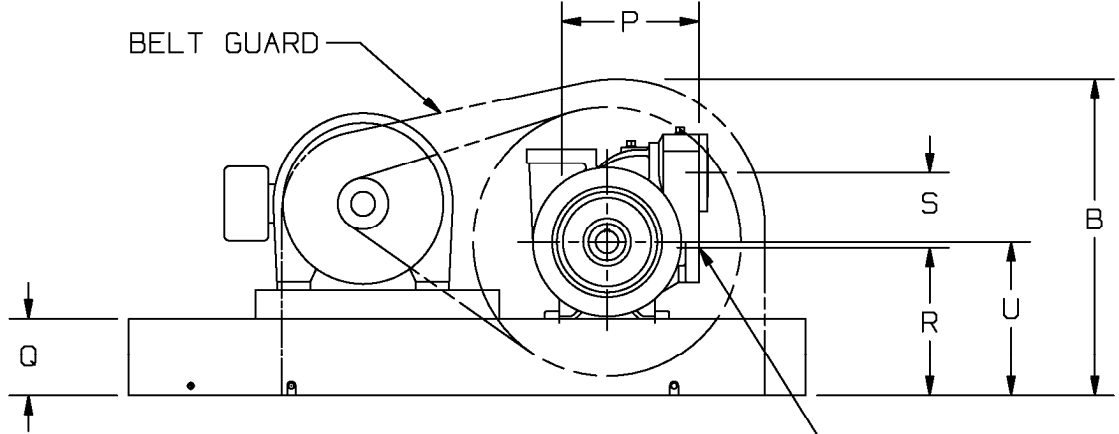
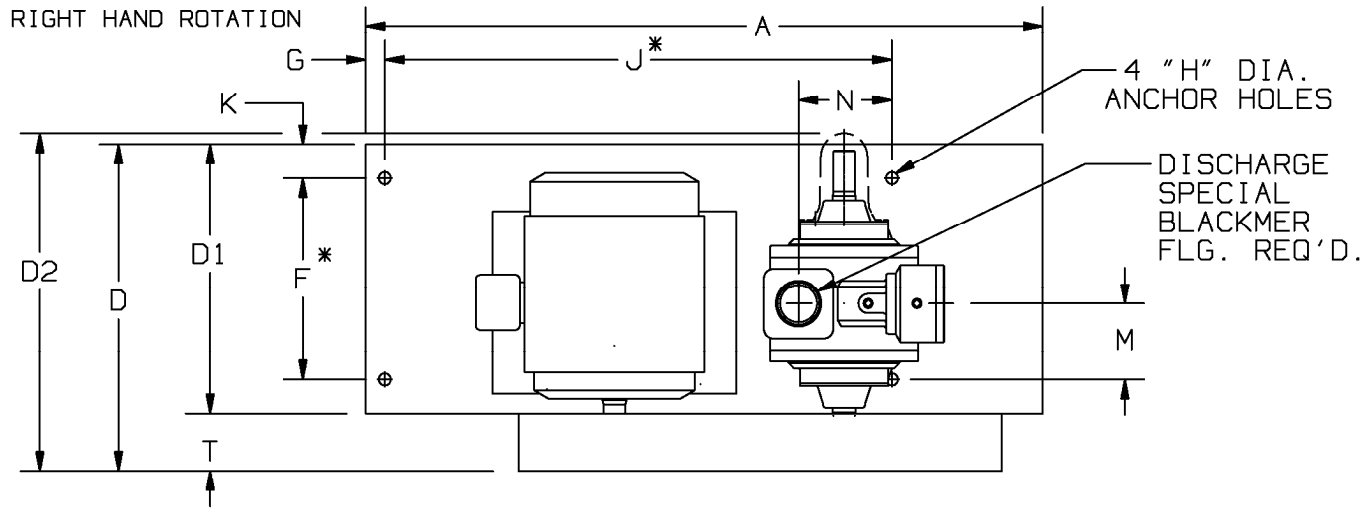




www.blackmer.com

TYPE	SIZE	UNIT STYLE
LGL	2	VB

DIMENSIONS 501-111	
Section	501
Effective	August 2007
Replaces	August 2002
Page 2/4	



UNIT DIMENSION LESS FLANGES  
 \* TOLERANCE  $\pm \frac{1}{8}$   
 TOLERANCE ON OTHER DIMENSIONS  $\pm \frac{1}{4}$

MOTOR		FRAME SIZE	H.P.		UNIT NO.	DIMENSIONS																		
1800	1200		1800	1200		UNIT	A	B	D	D1	D2	F	G	H	J	K	M	N	P	Q	R	S	T	U
330	220	182T	3	1.5	874415	IN.	35 <sup>3</sup> / <sub>8</sub>	15 <sup>7</sup> / <sub>8</sub>	17 <sup>1</sup> / <sub>8</sub>	14	17 <sup>3</sup> / <sub>4</sub>	10 <sup>1</sup> / <sub>2</sub>	1	5/8	26 <sup>1</sup> / <sub>2</sub>	1 <sup>3</sup> / <sub>4</sub>	4	4 <sup>7</sup> / <sub>8</sub>	7 <sup>1</sup> / <sub>4</sub>	4	7 <sup>3</sup> / <sub>4</sub>	5 <sup>1</sup> / <sub>4</sub>	3 <sup>1</sup> / <sub>8</sub>	8
						MM	899	403	435	356	451	267	25	16	673	44	102	124	184	102	197	133	79	203
420	280	182T	3	1.5	874414	IN.																		
						MM																		
420	280	184T	5	2	874416	IN.																		
						MM																		
520	340	182T	3	1.5	874419	IN.																		
						MM																		
520	340	184T	5	2	874417	IN.																		
						MM																		
660	440	184T	5	2	874420	IN.																		
						MM																		
660	440	213T	7.5	3	874418	IN.		17	20 <sup>1</sup> / <sub>2</sub>															
						MM		432	521															

SAME AS ABOVE

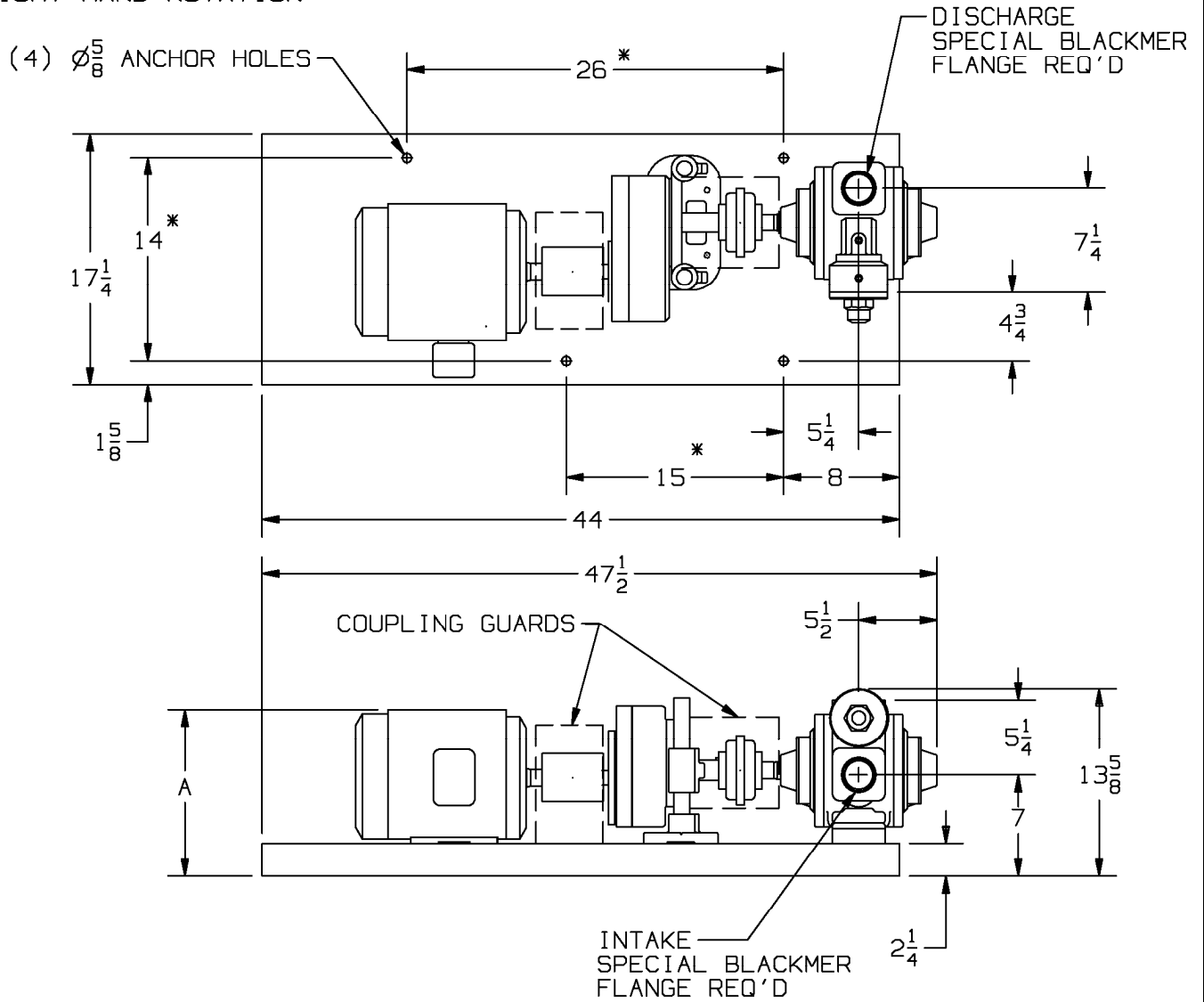


www.blackmer.com

TYPE	SIZE	UNIT STYLE
LGL	2E	HRA

DIMENSIONS 501-111	
Section	501
Effective	August 2007
Replaces	August 2002
Page	3/4

RIGHT HAND ROTATION



UNIT DIMENSION LESS FLANGES

\* TOLERANCE  $\pm \frac{1}{8}$

TOLERANCE ON OTHER DIMENSIONS  $\pm \frac{1}{4}$

"A" DIMENSION LESS EYEBOLT

FLG. HGT: 2" NPT - 1 1/8  
2" WELD - 1 1/4

MOTOR			BASE NO.	DIMENSIONS	
FRAME SIZE		A			
182T		901776	11 7/8		
184T		901776	11 7/8		

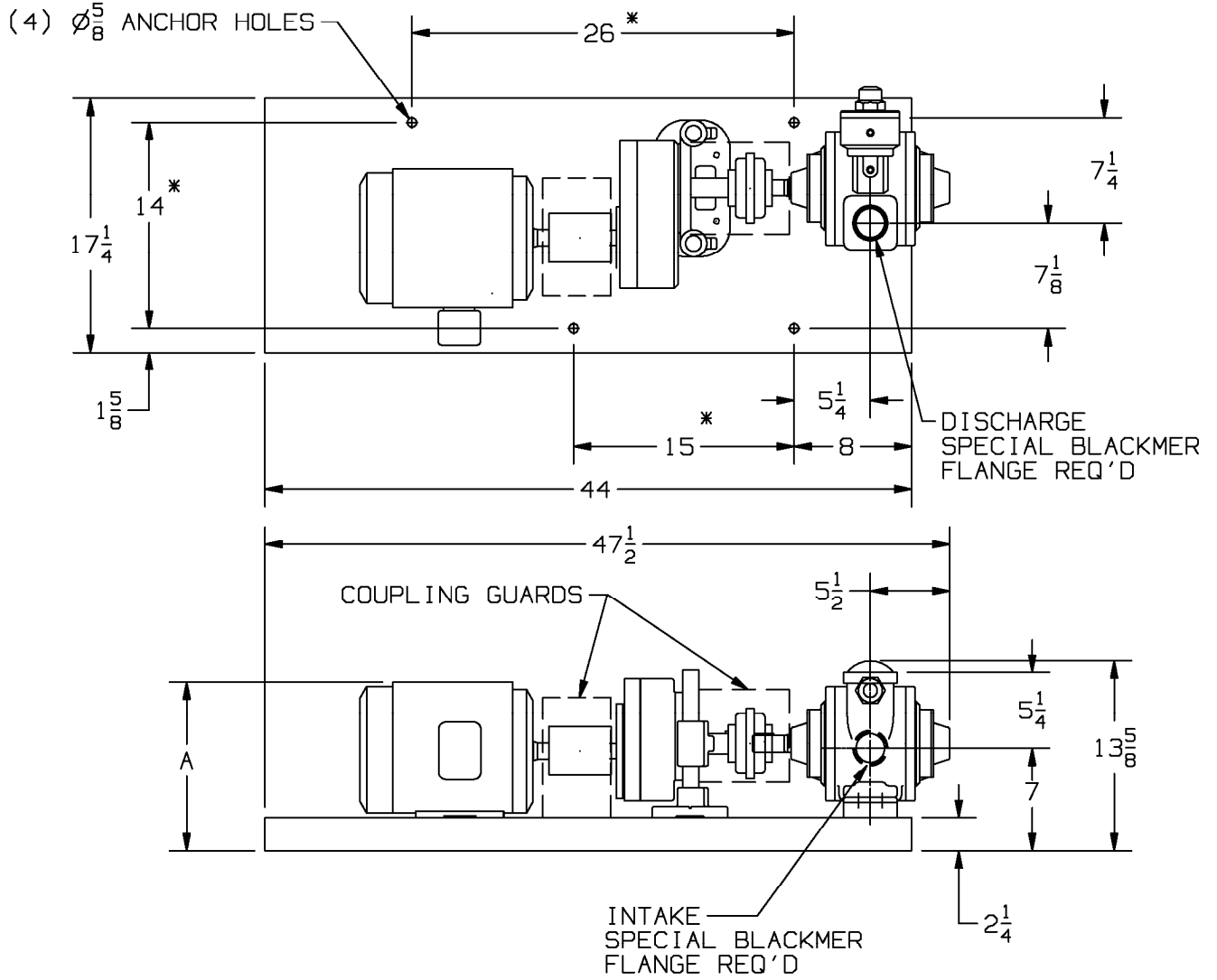
DIMENSIONS 501-111

Section 501  
 Effective August 2007  
 Replaces August 2002  
 Page 4/4

TYPE	SIZE	UNIT STYLE
LGL	2E	HRA



LEFT HAND ROTATION



UNIT DIMENSION LESS FLANGES

\* TOLERANCE  $\pm \frac{1}{8}$

TOLERANCE ON OTHER DIMENSIONS  $\pm \frac{1}{4}$

"A" DIMENSION LESS EYEBOLT

FLG. HGT: 2" NPT - 1 1/8  
 2" WELD - 1 1/4

MOTOR		BASE NO.	DIMENSIONS	
FRAME SIZE			A	
182T		901776	11 7/8	
184T		901776	11 7/8	