



| | | |
|---------------|---------------|------------|
| TYPE | SIZE | UNIT STYLE |
| LGLF LGRLF | 1.25A 1.5A | PO |

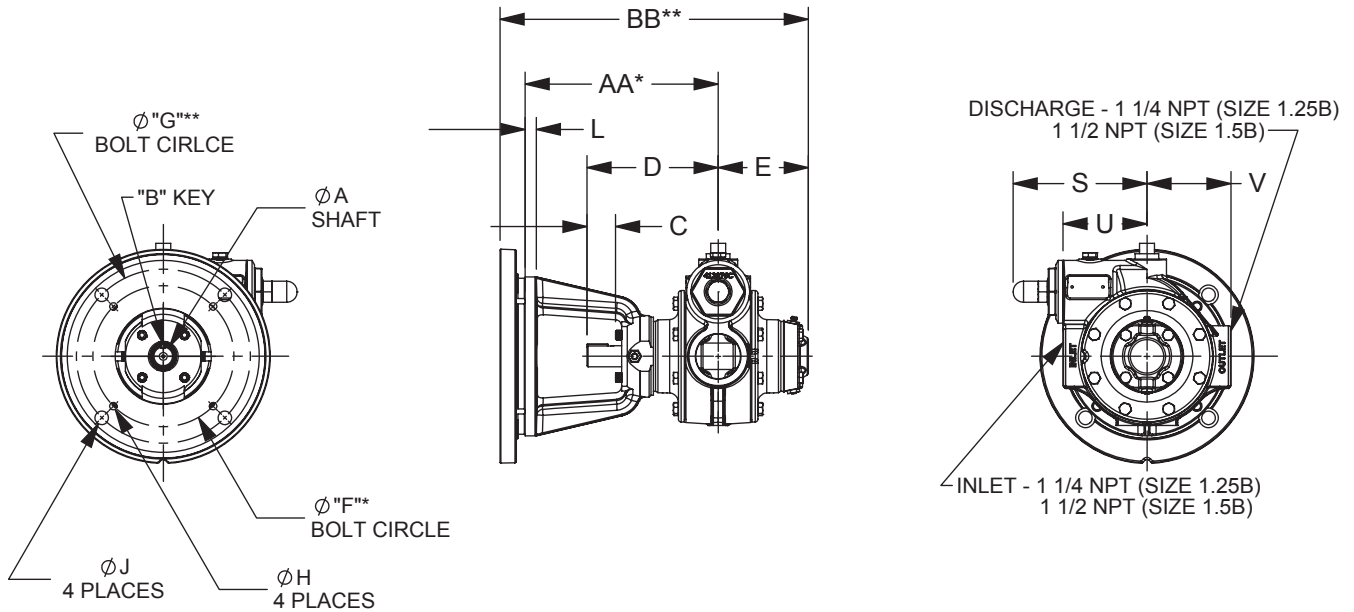
| | |
|---------------------------------------|------------------------------------|
| DIMENSIONS 501-109 | |
| Section Effective Replaces Page 1 / 4 | 501 AUGUST 2014 JANUARY 2008 |

*WITH NEMA BRACKET, FITS :
56C, 143TC, 145TC, 182C, 184C

RIGHT-HAND ROTATION SHOWN
FOR LEFT-HAND ROTATION, CASING
ORIENTATION IS OPPOSITE THAT SHOWN


**WITH NEMA ADAPTER RING, FITS:
182TC, 184TC, 213C, 215C

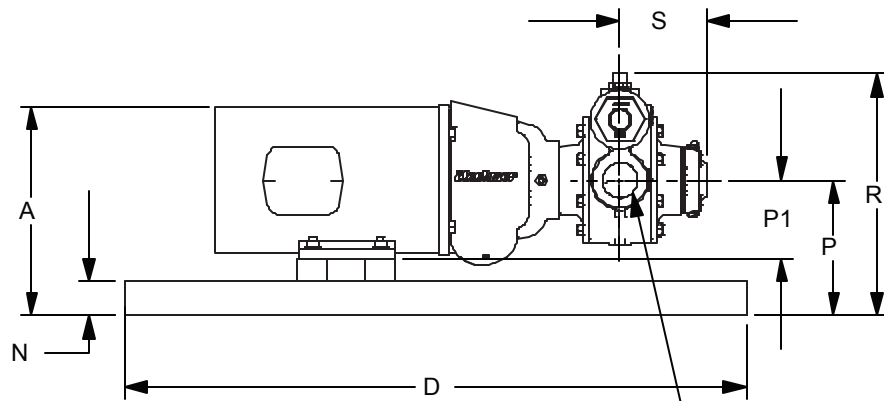
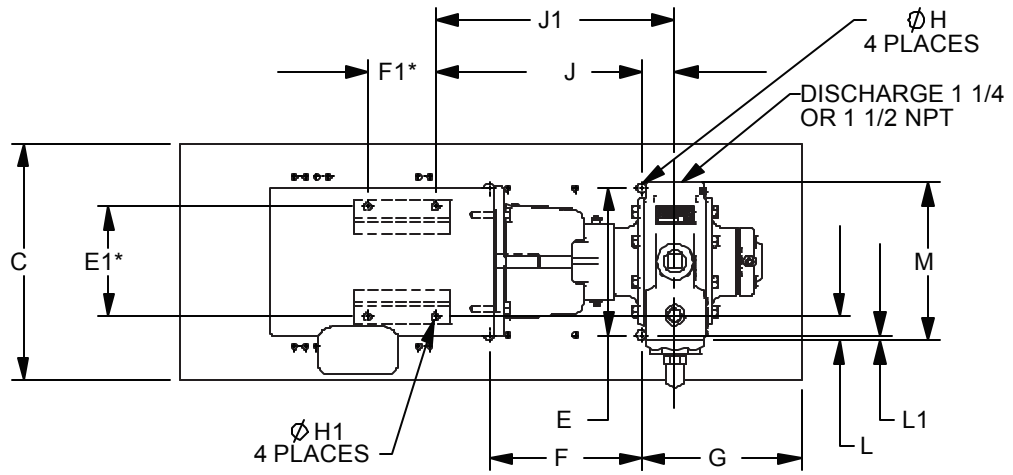
***WITH IEC BRACKET, FITS:
100 / 112 B14A



| MOTOR ADAPTER | | F | H | D | L | AA |
|---------------|----|-------|------|-------|------|--------|
| NEMA | IN | 5 7/8 | 7/16 | 5 1/2 | 1/2 | 8 1/16 |
| | MM | 149.2 | 11.1 | 138.1 | 12.7 | 204.8 |
| IEC *** | MM | 130 | 9.5 | 139.7 | 14.2 | 231.8 |
| | IN | 5.11 | .37 | 5.5 | .56 | 9.13 |

| MOTOR | | | UNITS | DIMENSIONS | | | | | | | | | | |
|------------|--|--|-------|-------------|------|-------|-----------|-----------|-----------|-------|-----------|-------|-------|--|
| FRAME SIZE | | | | A | B | C | D | E | F | G | H | J | K | |
| | | | IN | 7/8 | 3/16 | 1 1/4 | SEE TABLE | 3 7/8 | SEE TABLE | 7 1/4 | SEE TABLE | — | — | |
| | | | MM | | | 32,1 | | 98,4 | | 184,2 | | | | |
| | | | | L | M | N | P | Q | Q1 | S | T | U | V | |
| | | | IN | SEE TABLE | — | — | — | 8 | 9 1/4 | 5 5/8 | — | 3 1/2 | 3 1/2 | |
| | | | MM | | | | | 203,2 | 235 | 141,3 | | 88,9 | 88,9 | |
| | | | | W | X | Y | Z | AA | BB | CC | DD | EE | FF | |
| | | | IN | — | — | — | — | SEE TABLE | 13 | — | — | — | — | |
| | | | MM | | | | | | 330,2 | | | | | |
| | | | | PUMP WEIGHT | | | | | | | | | | |
| | | | | LBS | | | | 39 | | | | | | |
| | | | | KG | | | | 17,7 | | | | | | |

| | | | | | | |
|--------------------|--------------|-------|-------|--------------|---|--|
| DIMENSIONS 501-109 | | TYPE | SIZE | UNIT STYLE |  www.blackmer.com | |
| Section | 501 | LGLF | 1.25A | DM (W/BASE) | | |
| Effective | AUGUST 2014 | LGRLF | 1.5A | F (W/O BASE) | | |
| Replaces | JANUARY 2008 | | | | | |
| Page 2 / 5 | | | | | | |



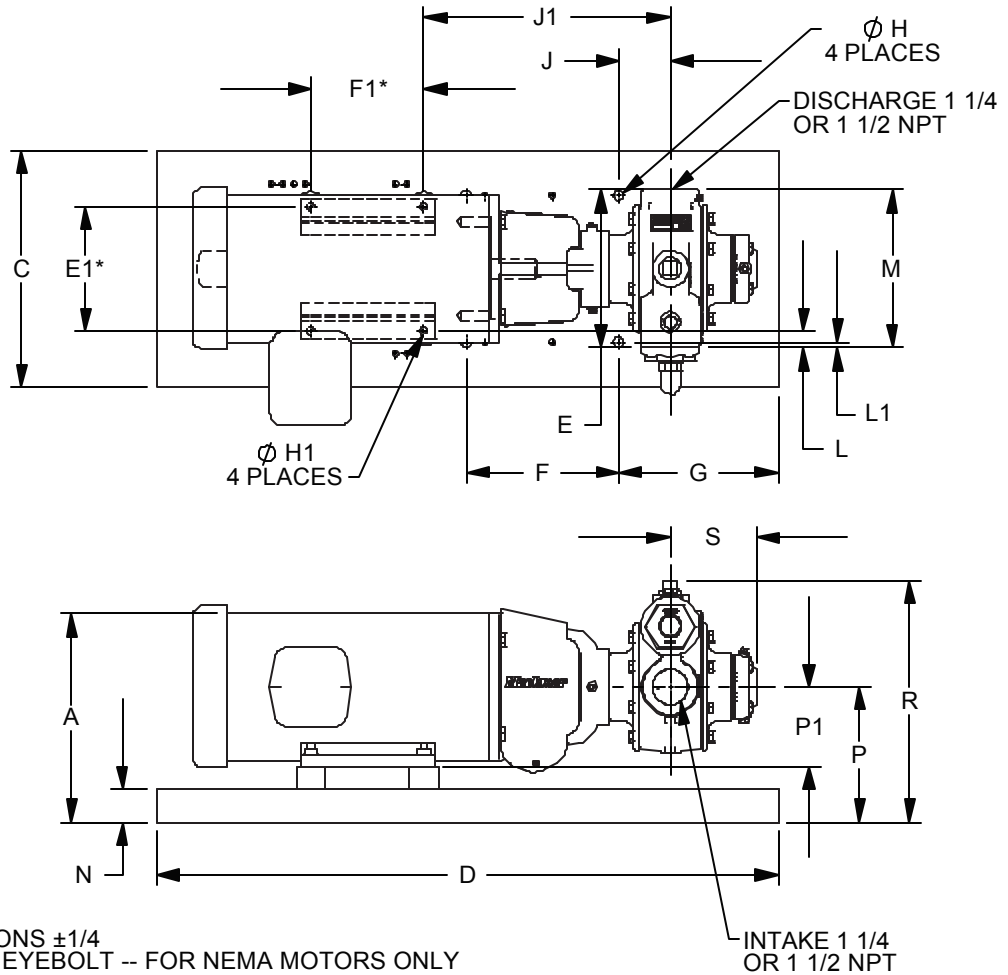
* TOLERANCE $\pm 1/8$
 ALL OTHER DIMENSIONS $\pm 1/4$
 "A" DIMENSION LESS EYEBOLT -- FOR NEMA MOTORS ONLY
 RIGHT-HAND ROTATION SHOWN
 FOR LEFT-HAND ROTATION, CASING ORIENTATION IS OPPOSITE THAT SHOWN

| MOTOR | | | UNITS | DIMENSIONS | | | | | | | | | |
|------------|-----------|----------|-------|--------------------------|--------|--------|--------|-------|-------|-------|-------|--------|-------|
| FRAME SIZE | NEMA ONLY | BASE NO. | | A | B | C | D | E | E1 | F | F1 | G | H |
| 56C | | 901978 | IN | 9 | 21 7/8 | 10 1/2 | 27 1/2 | 6 1/2 | 4 7/8 | 6 3/4 | 3 | 7 1/16 | 7/16 |
| | | | MM | 228,6 | 555,6 | 266,7 | 533,4 | 165,1 | 123,8 | 171,5 | 76,2 | 179,4 | 11,1 |
| | | | | H1 | J | J1 | K | L | L1 | M | N | P | P1 |
| | | | IN | 7/16 | 1 1/2 | 10 5/8 | — | 13/16 | 1/4 | 7 | 1 1/2 | 6 | 3 1/2 |
| | | | MM | 11,1 | 38,1 | 269,9 | — | 20,6 | 6,4 | 177,8 | 38,1 | 152,4 | 88,9 |
| | | | | R | S | T | U | V | W | X | Y | Z | AA |
| | | | IN | 10 11/16 | 3 7/8 | — | — | — | — | — | — | — | — |
| | | | MM | 271,4 | 98,4 | — | — | — | — | — | — | — | — |
| | | | | UNIT WEIGHT (LESS MOTOR) | | | | | | | | | |
| | | | | LBS | | 52 | | | | | | | |
| | | | | KG | | 23,6 | | | | | | | |



| | | |
|-------|-------|--------------|
| TYPE | SIZE | UNIT STYLE |
| LGLF | 1.25A | DM (W/ BASE) |
| LGRLF | 1.5A | F (W/O BASE) |

| | |
|---------------------------------------|------------------------------------|
| DIMENSIONS 501-109 | |
| Section Effective Replaces Page 3 / 5 | 501 AUGUST 2014 JANUARY 2008 |



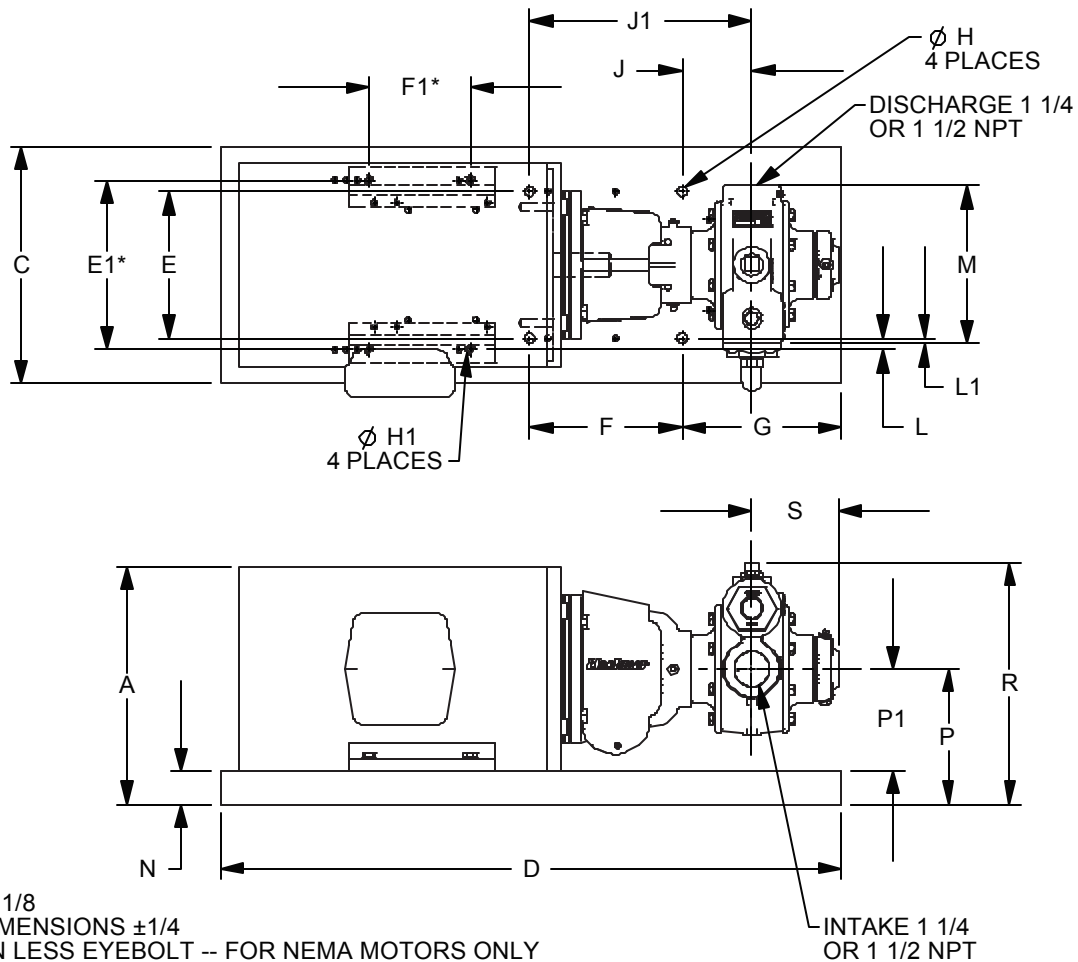
* TOLERANCE $\pm 1/8$
 ALL OTHER DIMENSIONS $\pm 1/4$
 "A" DIMENSION LESS EYEBOLT -- FOR NEMA MOTORS ONLY
 RIGHT-HAND ROTATION SHOWN
 FOR LEFT-HAND ROTATION, CASING ORIENTATION IS OPPOSITE THAT SHOWN

| MOTOR | | | UNITS | DIMENSIONS | | | | | | | | | |
|------------|-----------|----------|-------|--------------------------|--------|----------|--------|-------|-------|-------|-------|--------|-------|
| FRAME SIZE | NEMA ONLY | BASE NO. | | A | B | C | D | E | E1 | F | F1 | G | H |
| 143TC | | 901978 | IN | 9 1/4 | 23 3/4 | 10 1/2 | 27 1/2 | 6 1/2 | 5 1/2 | 6 3/4 | 4 | 7 1/16 | 7/16 |
| 145TC | | | MM | 235 | 603,3 | 266,7 | 698,5 | 165,1 | 139,7 | 171,5 | 101,6 | 179,4 | 11,1 |
| | | | | H1 | J | J1 | K | L | L1 | M | N | P | P1 |
| | | | IN | 7/16 | 1 1/2 | 10 15/16 | — | 1/2 | 1/4 | 7 | 1 1/2 | 6 | 3 1/2 |
| | | | MM | 11,1 | 38,1 | 277,8 | — | 12,7 | 6,4 | 177,8 | 38,1 | 152,4 | 88,9 |
| | | | | R | S | T | U | V | W | X | Y | Z | AA |
| | | | IN | 10 11/16 | 3 7/8 | — | — | — | — | — | — | — | — |
| | | | MM | 271,4 | 98,4 | — | — | — | — | — | — | — | — |
| | | | | UNIT WEIGHT (LESS MOTOR) | | | | | | | | | |
| | | | | LBS | | 52 | | | | | | | |
| | | | | KG | | 23,6 | | | | | | | |

DIMENSIONS 501-109

Section 501
Effective AUGUST 2014
Replaces JANUARY 2008
Page 4 / 5

| | | |
|-------|-------|--------------|
| TYPE | SIZE | UNIT STYLE |
| LGLF | 1.25A | DM (W/BASE) |
| LGRLF | 1.5A | F (W/O BASE) |



* TOLERANCE $\pm 1/8$
ALL OTHER DIMENSIONS $\pm 1/4$
"A" DIMENSION LESS EYEBOLT -- FOR NEMA MOTORS ONLY
RIGHT-HAND ROTATION SHOWN
FOR LEFT-HAND ROTATION, CASING ORIENTATION IS OPPOSITE THAT SHOWN

| MOTOR | | | UNITS | DIMENSIONS | | | | | | | | | |
|------------|-----------|----------|-------|--------------------------|---------|---------|--------|-------|-------|-------|-------|--------|-------|
| FRAME SIZE | NEMA ONLY | BASE NO. | | A | B | C | D | E | E1 | F | F1 | G | H |
| 182TC | | 901978 | IN | 10 1/2 | 26 9/16 | 10 1/2 | 27 1/2 | 6 1/2 | 7 1/2 | 6 3/4 | 4 1/2 | 7 1/16 | 7/16 |
| 184TC | | | MM | 266,7 | 674,7 | 266,7 | 698,5 | 165,1 | 190,5 | 171,5 | 114,3 | 179,4 | 11,1 |
| | | | | H1 | J | J1 | K | L | L1 | M | N | P | P1 |
| | | | IN | 7/16 | 3 1/16 | 9 13/16 | — | 1/4 | 1/4 | 7 | 1 1/2 | 6 | 4 1/2 |
| | | | MM | 11,1 | 77,8 | 249,2 | — | 6,4 | 6,4 | 177,8 | 38,1 | 152,4 | 114,3 |
| | | | | R | S | T | U | V | W | X | Y | Z | AA |
| | | | IN | 10 11/16 | 3 7/8 | — | — | — | — | — | — | — | — |
| | | | MM | 271,5 | 98,4 | — | — | — | — | — | — | — | — |
| | | | | UNIT WEIGHT (LESS MOTOR) | | | | | | | | | |
| | | | | LBS | | 57 | | | | | | | |
| | | | | KG | | 25,9 | | | | | | | |