



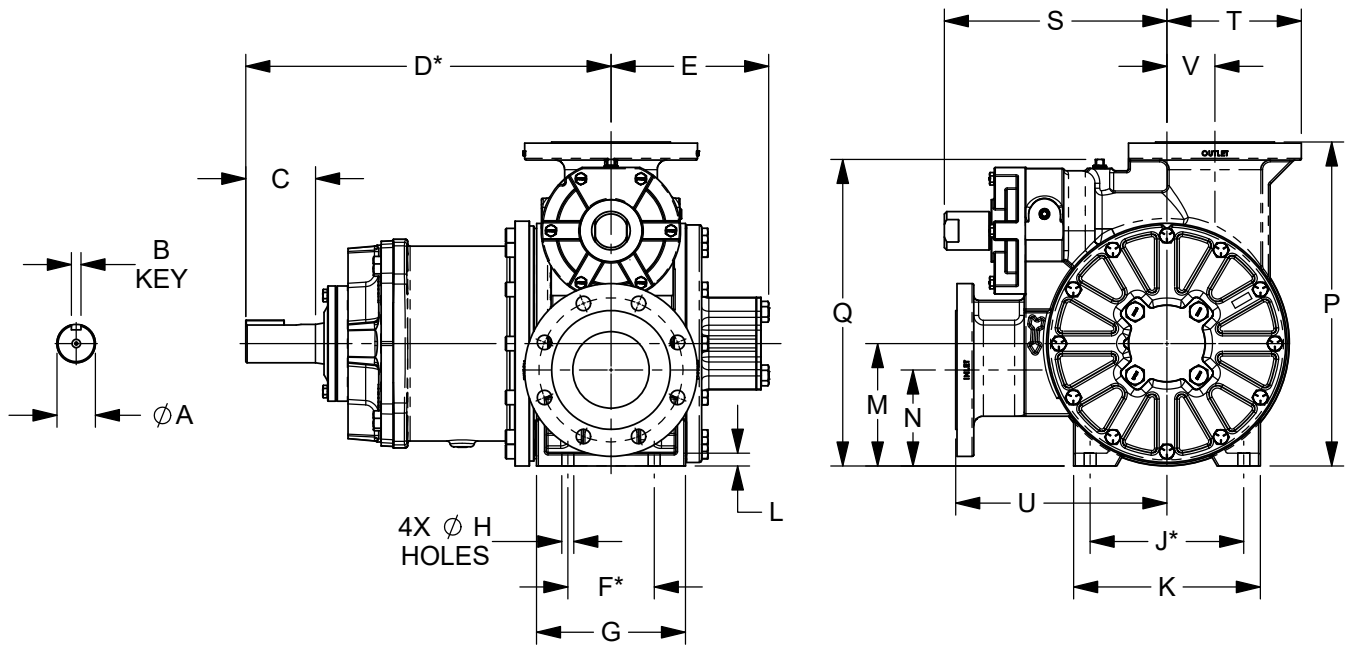
TYPE	SIZE	UNIT STYLE
MS4	4	PO

DIMENSIONS 110-104	
Section Effective Replaces Page 1 / 2	110 AUGUST 2021 NEW

RIGHT HAND ROTATION. FOR LEFT HAND ROTATION, SHAFT PROJECTION IS OPPOSITE THAT SHOWN.

*TOLERANCE $\pm 1/8"$

TOLERANCE ON OTHER DIMENSIONS $\pm 1/4"$



DIMENSIONS											WEIGHTS	
UNITS	A	B	C	D	E	F	G	H	J	K	UNITS	PUMP ONLY
IN	2	1/2	3 5/8	19	8 3/16	4 1/2	7 3/4	5/8	8	9 3/4	LBS	469
MM	50,8	12,7	92,1	482,6	208	114,3	196,9	15,9	203,2	247,7	KG	213
	L	M	N	P	Q	R	S	T	U	V		
IN	11/16	6 3/8	5	16 7/8	16	---	11 9/16	7	11	2 1/2		
MM	17,5	161,9	127	428,6	406,4	---	293,7	177,8	279,4	63,5		
	W	X	Y	Z	AA	BB	CC	DD	EE	FF		
IN	---	---	---	---	---	---	---	---	---	---		
MM	---	---	---	---	---	---	---	---	---	---		
	GG	HH	JJ	KK	LL	MM						
IN	---	---	---	---	---	---						
MM	---	---	---	---	---	---						

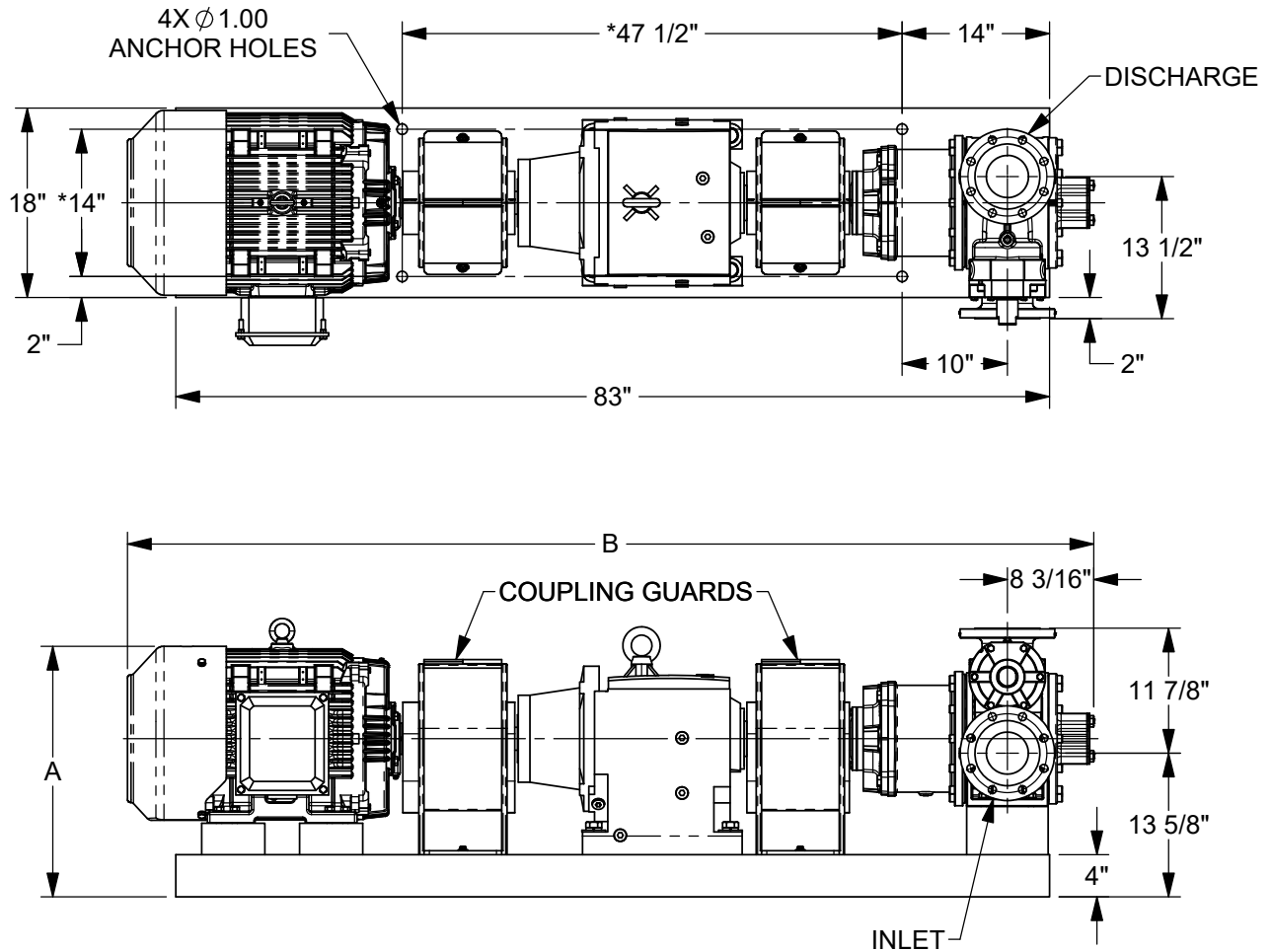


TYPE	MS4	SIZE	4	UNIT STYLE	SK72	DIMENSIONS 110-104	
			Section Effective Replaces Page 2 / 2		110 AUGUST 2021 NEW		

RIGHT HAND ROTATION SHOWN.

*TOLERANCE $\pm 1/8"$

TOLERANCE ON OTHER DIMENSIONS $\pm 1/4"$



"A" DIMENSION LESS MOTOR EYEBOLT

MOTOR			BASE NO.	DIMENSIONS									APPROX. UNIT WT. - POUNDS	
FRAME SIZE	H.P.	RPM		A	B	C	D	E	F	G	H	J	LESS MOTOR	INCL MOTOR
284T	25	1800	901392	22 5/8	90 5/8	---	---	---	---	---	---	1402	1802	
286T	30	1800	901392	22 7/8	88 1/8	---	---	---	---	---	---	1402	1894	
324T	40	1800	901393	24 1/16	91	---	---	---	---	---	---	1415	2089	
326T	50	1800	901393	23 13/16	91 13/16	---	---	---	---	---	---	1415	2095	
364T	60	1800	901394	24 11/16	93 3/4	---	---	---	---	---	---	1399	2204	
365T	75	1800	901394	24 11/16	93 3/4	---	---	---	---	---	---	1399	2382	