



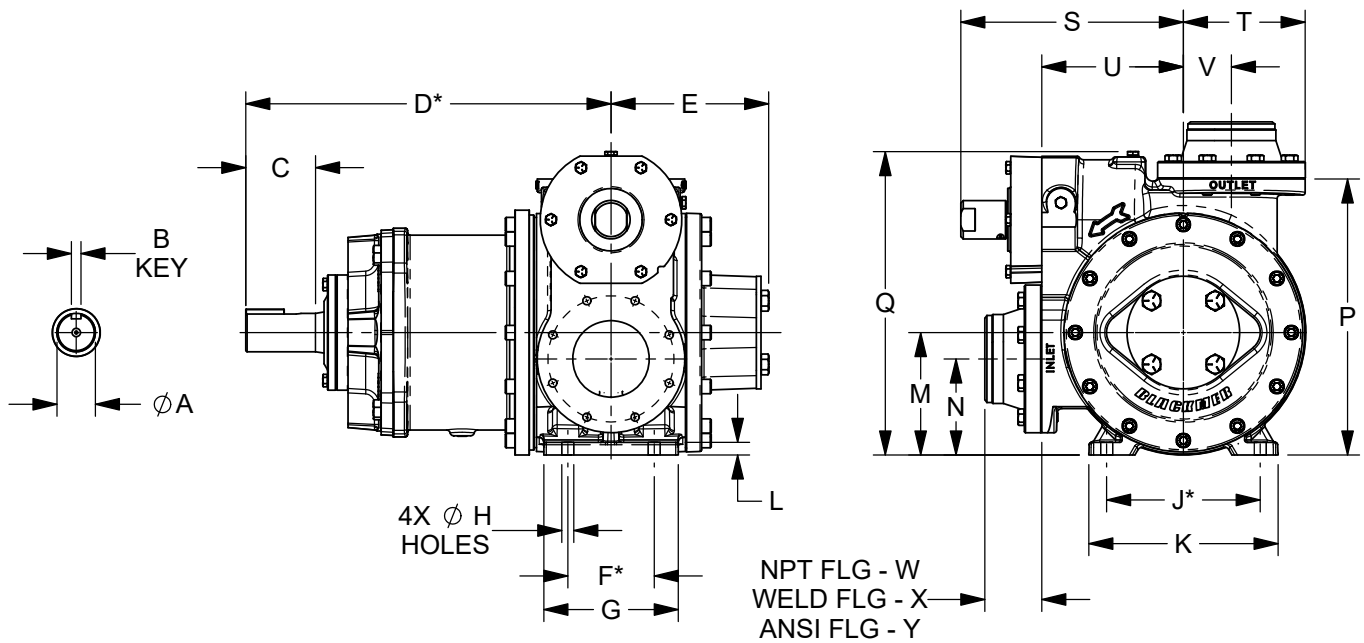
TYPE	SIZE	UNIT STYLE
MI4	4	PO

DIMENSIONS 110-103	
Section Effective Replaces Page 1 / 2	110 MARCH 2021 NEW

RIGHT HAND ROTATION. FOR LEFT HAND ROTATION, SHAFT PROJECTION IS OPPOSITE THAT SHOWN.

*TOLERANCE $\pm 1/8"$

TOLERANCE ON OTHER DIMENSIONS $\pm 1/4"$



DIMENSIONS											WEIGHTS	
UNITS	A	B	C	D	E	F	G	H	J	K	UNITS	PUMP ONLY
IN	2	1/2	3 5/8	19	8 3/16	4 1/2	7	5/8	8	9 7/8	LBS	452
MM	50,8	12,7	92,1	482,6	208	114,3	177,8	15,9	203,2	250,8	KG	205
	L	M	N	P	Q	R	S	T	U	V		NPT FLANGES
IN	5/8	6 3/8	5	14 3/8	15 7/8	---	11 9/16	6 5/16	7 3/8	2 1/2	LBS	470
MM	15,9	161,9	127	365,1	403,2	---	293,7	160,3	187,3	63,5	KG	213
	W	X	Y	Z	AA	BB	CC	DD	EE	FF		WELD FLANGES
IN	1 3/8	3	5	---	---	---	---	---	---	---	LBS	475
MM	34,9	76,2	127	---	---	---	---	---	---	---	KG	215
	GG	HH	JJ	KK	LL	MM						ANSI FLANGES
IN	---	---	---	---	---	---					LBS	502
MM	---	---	---	---	---	---					KG	228

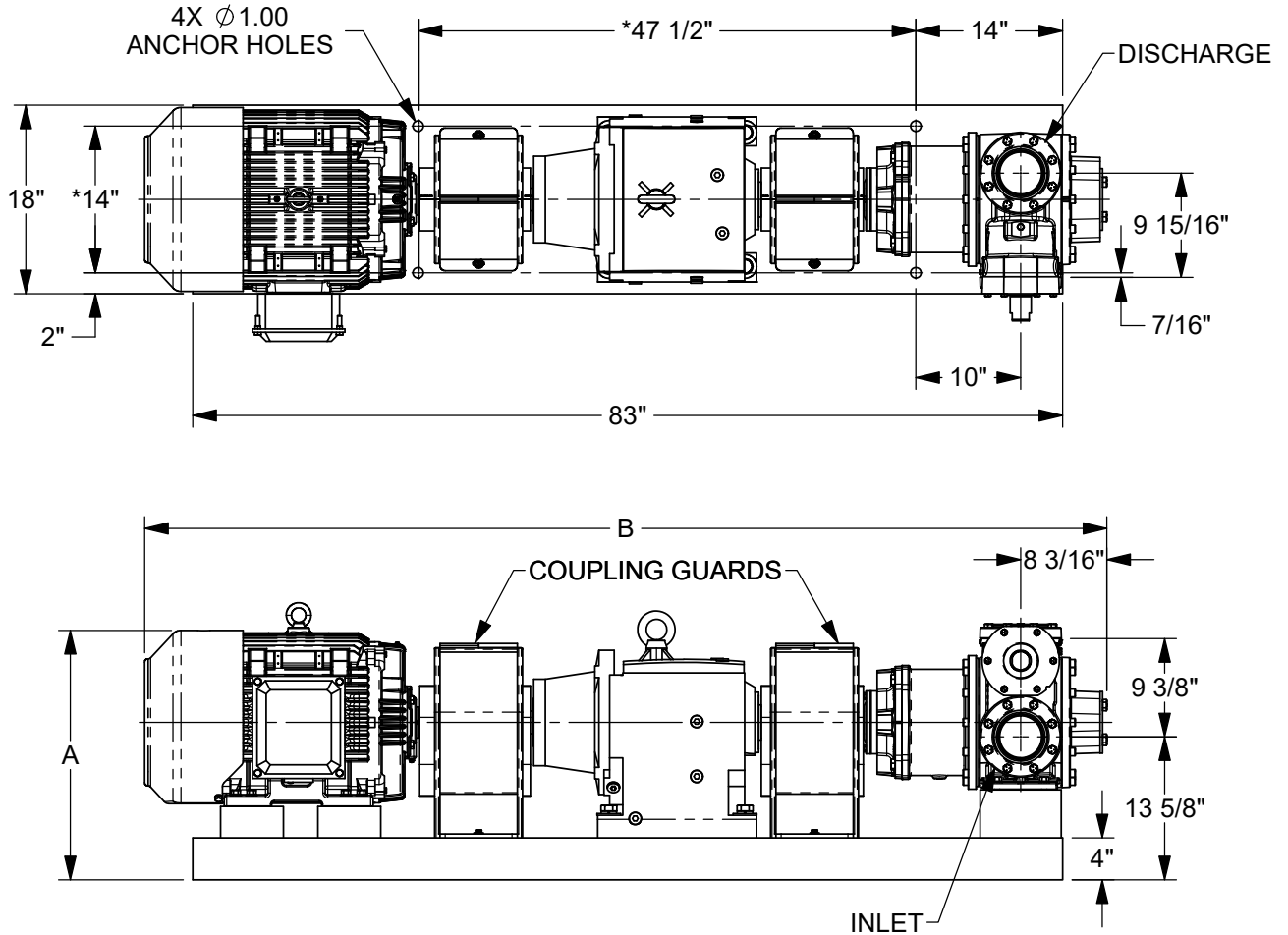


TYPE	MI4	SIZE	4	UNIT STYLE	SK72	DIMENSIONS 110-103	
						Section Effective Replaces Page 2 / 2	110 MARCH 2021 NEW

RIGHT HAND ROTATION SHOWN.

*TOLERANCE $\pm 1/8"$

TOLERANCE ON OTHER DIMENSIONS $\pm 1/4"$



"A" DIMENSION LESS MOTOR EYEBOLT

MOTOR			BASE NO.	DIMENSIONS			MI3 - W/ NO FLGS UNIT WT. - LBS		MI3 - W/ NPT FLGS UNIT WT. - LBS		MI3 - W/ WELD FLGS UNIT WT. - LBS		MI3 - W/ ANSI FLGS UNIT WT. - LBS	
FRAME SIZE	H.P.	RPM		A	B	C	LESS MOTOR	INCL MOTOR	LESS MOTOR	INCL MOTOR	LESS MOTOR	INCL MOTOR	LESS MOTOR	INCL MOTOR
284T	25	1800	901392	22 5/8	90 5/8	---	1385	1785	1403	1803	1408	1808	1435	1835
286T	30	1800	901392	22 7/8	88 1/8	---	1385	1877	1403	1895	1408	1900	1435	1927
324T	40	1800	901393	24 1/16	91	---	1398	2072	1416	2090	1421	2095	1448	2122
326T	50	1800	901393	23 13/16	91 13/16	---	1398	2078	1416	2096	1421	2101	1448	2128
364T	60	1800	901394	24 11/16	93 3/4	---	1382	2187	1400	2205	1405	2210	1432	2237
365T	75	1800	901394	24 11/16	93 3/4	---	1382	2365	1400	2383	1405	2388	1432	2415