

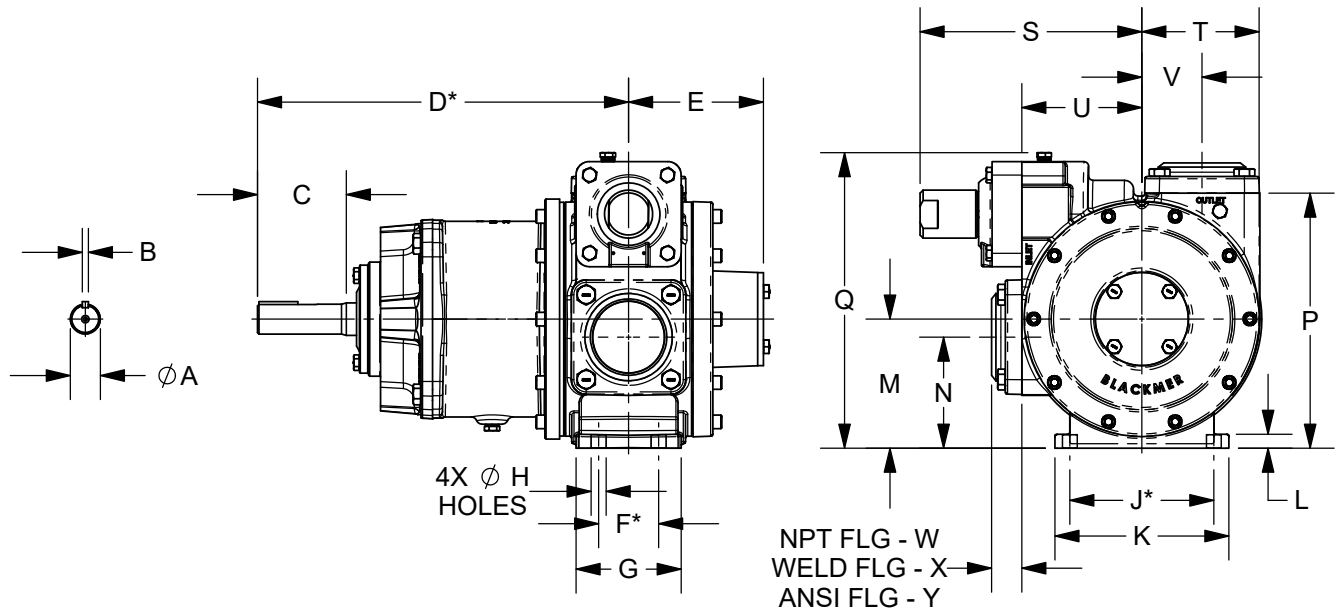


TYPE	SIZE	UNIT STYLE	DIMENSIONS 110-101	
MS3/MI3	3	PO	Section Effective Replaces Page 1 / 4	110 FEBRUARY 2021 AUGUST 2020

RIGHT HAND ROTATION. FOR LEFT HAND ROTATION, SHAFT PROJECTION IS OPPOSITE THAT SHOWN.

\*TOLERANCE  $\pm 1/8"$

TOLERANCE ON OTHER DIMENSIONS  $\pm 1/4"$



DIMENSIONS											WEIGHTS		
UNITS	A	B	C	D	E	F	G	H	J	K	UNITS	<b>PUMP ONLY</b>	
												SS	IRON
IN	1 1/4	1/4	3 11/16	15 7/16	5 5/8	2 1/2	4 3/8	5/8	6	7 1/4	LBS	205	199
MM	31,8	6,4	93,7	392,1	142,9	63,5	111,1	15,9	152,4	184,2	KG	93	90
	L	M	N	P	Q	R	S	T	U	V		<b>W/ NPT FLGS</b>	
												SS	IRON
IN	1/2	5 3/8	4 5/8	10 5/8	12 1/4	---	9 1/4	4 7/8	5	2 1/2	LBS	N/A	207
MM	12,7	136,6	117,5	269,9	311,2	---	235	123,8	127	63,5	KG	N/A	94
	W	X	Y	Z	AA	BB	CC	DD	EE	FF		<b>W/ WLD FLGS</b>	
												SS	IRON
IN	1 3/16	1 1/4	5	---	---	---	---	---	---	---	LBS	212	206
MM	30,2	31,8	127	---	---	---	---	---	---	---	KG	96	93
	GG	HH	JJ	KK	LL	MM						<b>W/ ANSI FLGS</b>	
												SS	IRON
IN	---	---	---	---	---	---					LBS	241	235
MM	---	---	---	---	---	---					KG	109	107



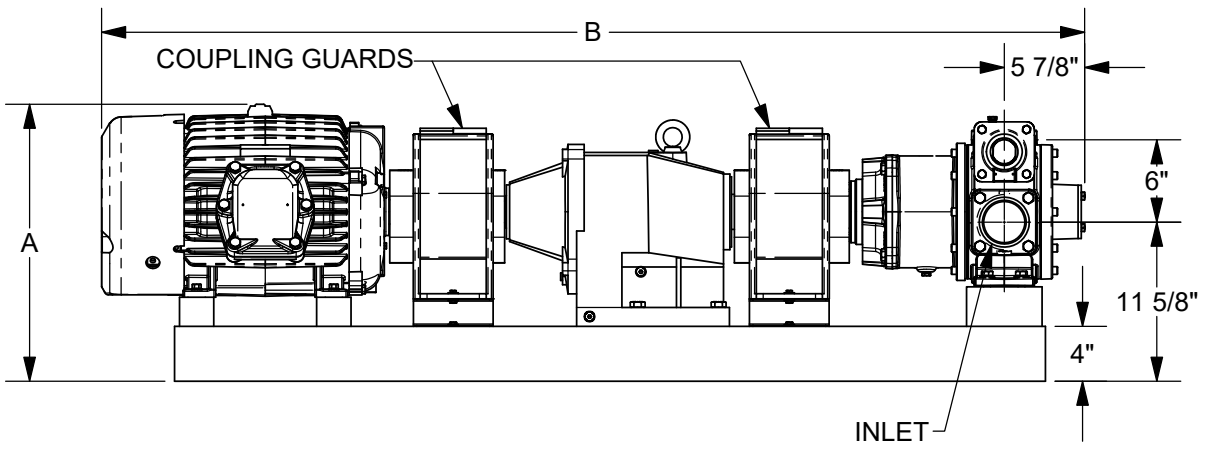
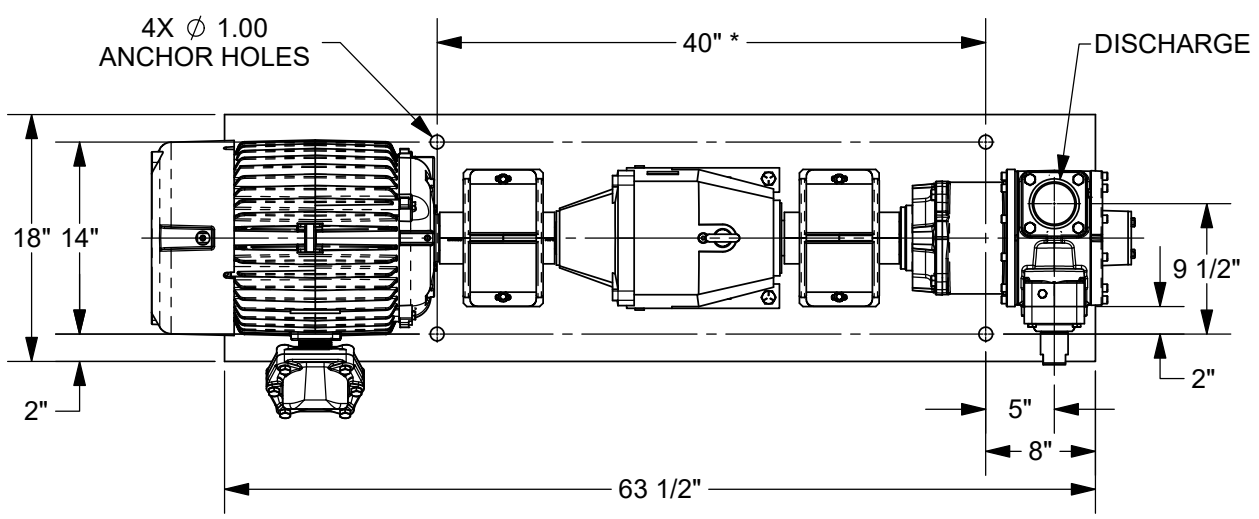
TYPE	SIZE	UNIT STYLE
MS3/MI3	3	SK52

DIMENSIONS 110-101	
Section Effective Replaces Page 2 / 4	110 FEBRUARY 2021 AUGUST 2020

RIGHT HAND ROTATION SHOWN.

\*TOLERANCE  $\pm 1/8"$

TOLERANCE ON OTHER DIMENSIONS  $\pm 1/4"$



"A" DIMENSION LESS MOTOR EYEBOLT

MOTOR			BASE NO.	DIMENSIONS							MI3 APPROX. UNIT WT. - LBS		MS3 APPROX. UNIT WT. - LBS	
FRAME SIZE	H.P.	RPM		A	B	C	D	E	F	G	LESS MOTOR	INCL MOTOR	LESS MOTOR	INCL MOTOR
213T	7 1/2	1800	901380	18 3/16	66 1/8	---	---	---	---	---	729	963	735	969
215T	10	1800	901380	18 3/16	66 1/8	---	---	---	---	---	729	986	735	992
254T	15	1800	901381	20 3/16	69 15/16	---	---	---	---	---	723	1108	729	1114
256T	20	1800	901381	20 3/16	71 11/16	---	---	---	---	---	723	1132	729	1138
284T	25	1800	901382	20 15/16	72 7/8	---	---	---	---	---	740	1276	746	1282
286T	30	1800	901382	20 15/16	74 3/8	---	---	---	---	---	740	1328	746	1334
324T	40	1800	901383	21 1/2	77 1/16	---	---	---	---	---	738	1496	744	1503
326T	50	1800	901383	21 1/2	77 1/16	---	---	---	---	---	738	1528	744	1535



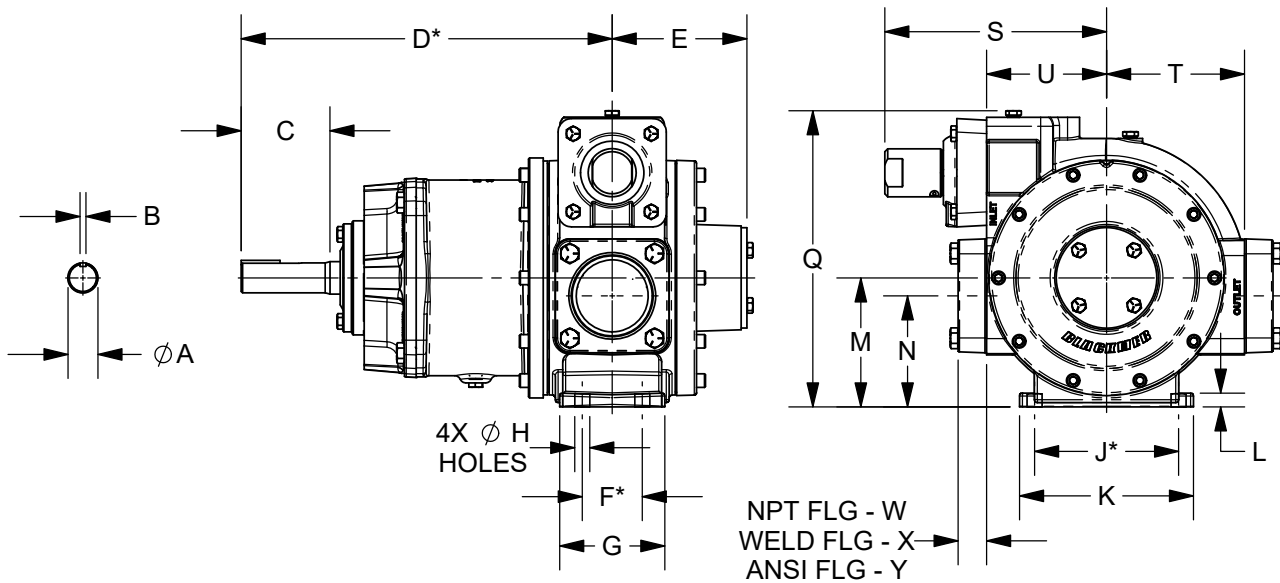
TYPE	MI3	SIZE	3	UNIT STYLE	PO	DIMENSIONS 110-101	
						Section Effective Replaces Page 3 / 4	110 FEBRUARY 2021 AUGUST 2020

RIGHT HAND ROTATION. FOR LEFT HAND ROTATION, SHAFT PROJECTION IS OPPOSITE THAT SHOWN.

\*TOLERANCE  $\pm 1/8"$

TOLERANCE ON OTHER DIMENSIONS  $\pm 1/4"$

OPTIONAL HORIZONTAL CYLINDER SHOWN.



DIMENSIONS											WEIGHTS	
UNITS	A	B	C	D	E	F	G	H	J	K	UNITS	PUMP ONLY
IN	1 1/4	1/4	3 11/16	15 7/16	5 5/8	2 1/2	4 3/8	5/8	6	7 1/4	LBS	196
MM	31,8	6,4	93,7	392,1	142,9	63,5	111,1	15,9	152,4	184,2	KG	89
	L	M	N	P	Q	R	S	T	U	V		<b>W/ NPT FLANGES</b>
IN	1/2	5 3/8	4 5/8	---	12 1/4	---	9 1/4	5 3/4	5	---	LBS	204
MM	12,7	136,6	117,5	---	311,2	---	235	146,1	127	---	KG	93
	W	X	Y	Z	AA	BB	CC	DD	EE	FF		<b>W/ WELD FLANGES</b>
IN	1 3/16	1 1/4	5	---	---	---	---	---	---	---	LBS	203
MM	30,2	31,8	127	---	---	---	---	---	---	---	KG	92
	GG	HH	JJ	KK	LL	MM						<b>W/ ANSI FLANGES</b>
IN	---	---	---	---	---	---					LBS	227
MM	---	---	---	---	---	---					KG	103



TYPE	SIZE	UNIT STYLE
MI3	3	SK52

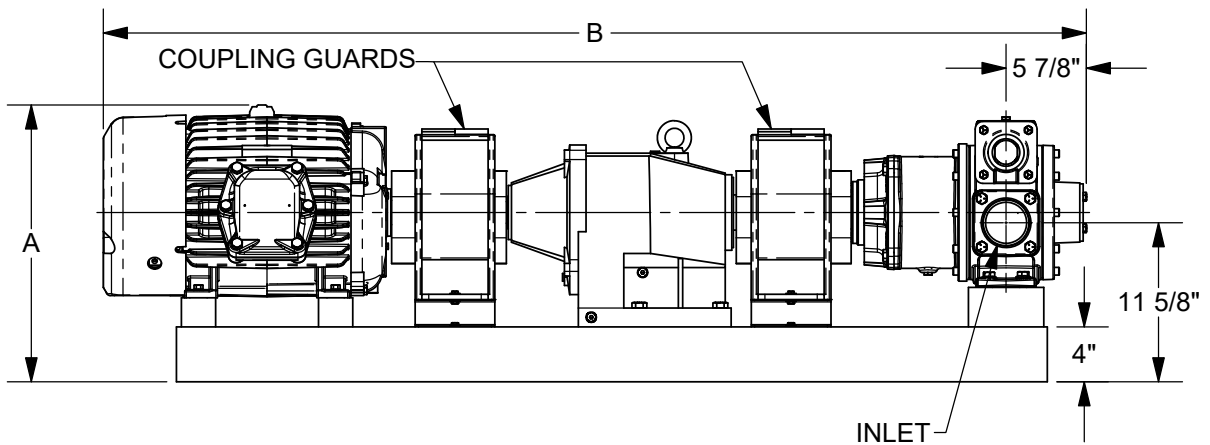
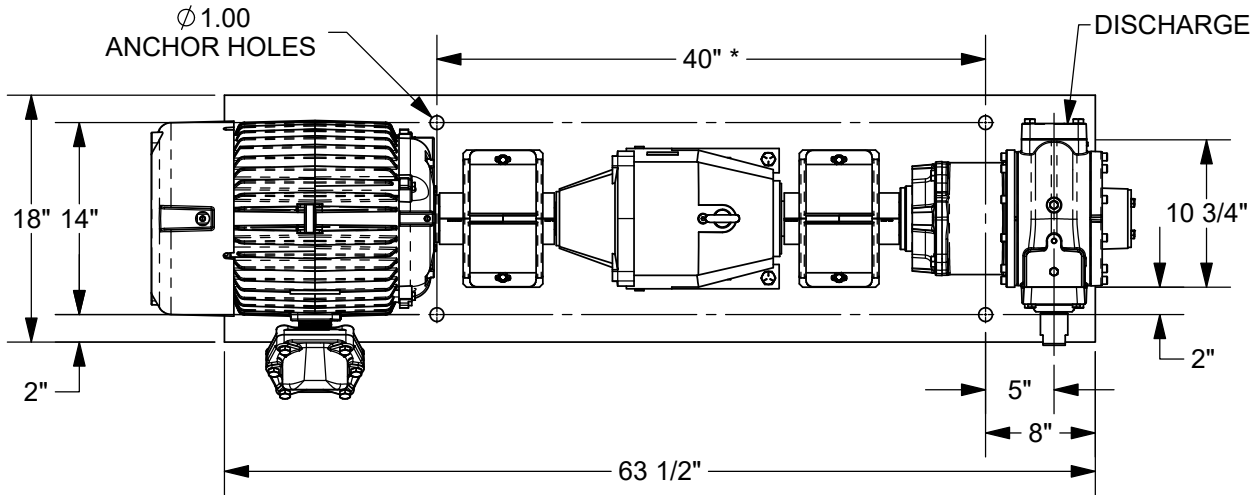
DIMENSIONS 110-101	
Section Effective Replaces Page 4 / 4	110 FEBRUARY 2021 AUGUST 2020

RIGHT HAND ROTATION SHOWN.

\*TOLERANCE  $\pm 1/8$ "

TOLERANCE ON OTHER DIMENSIONS  $\pm 1/4$ "

OPTIONAL HORIZONTAL CYLINDER SHOWN.



"A" DIMENSION LESS MOTOR EYEBOLT

MOTOR			BASE NO.	DIMENSIONS									MI3 APPROX. UNIT WT. - LBS	
FRAME SIZE	H.P.	RPM		A	B	C	D	E	F	G	H	J	LESS MOTOR	INCL MOTOR
213T	7 1/2	1800	901380	18 3/16	66 1/8	---	---	---	---	---	---	---	732	966
215T	10	1800	901380	18 3/16	66 1/8	---	---	---	---	---	---	---	732	989
254T	15	1800	901381	20 3/16	69 15/16	---	---	---	---	---	---	---	726	1111
256T	20	1800	901381	20 3/16	71 11/16	---	---	---	---	---	---	---	726	1135
284T	25	1800	901382	20 15/16	72 7/8	---	---	---	---	---	---	---	743	1279
286T	30	1800	901382	20 15/16	74 3/8	---	---	---	---	---	---	---	743	1331
324T	40	1800	901383	21 1/2	77 1/16	---	---	---	---	---	---	---	741	1500
326T	50	1800	901383	21 1/2	77 1/16	---	---	---	---	---	---	---	741	1532