



www.blackmer.com

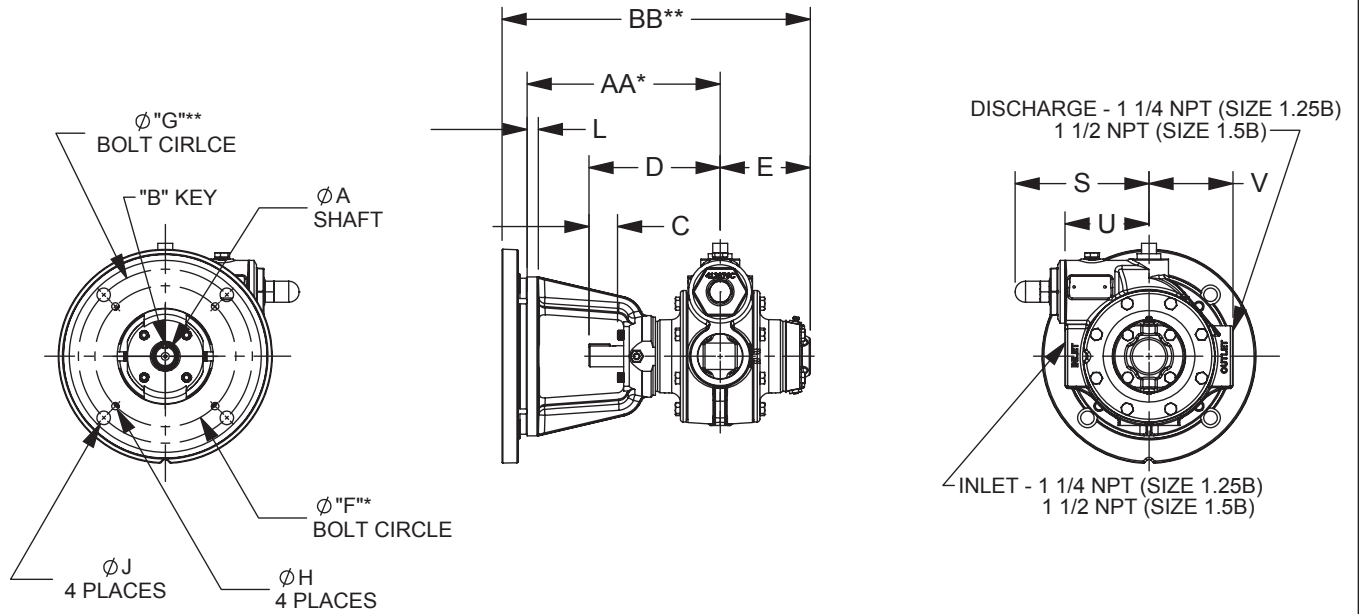
TYPE	TYPE	SIZE	UNIT STYLE	DIMENSIONS 107-103	
	XLF XRLF	1.25B 1.5B	PO	Section Effective Replaces Page 1 / 4	107 OCTOBER 2014 JANUARY 2008

*WITH NEMA BRACKET, FITS :
56C, 143TC, 145TC, 182C, 184C

RIGHT-HAND ROTATION SHOWN
FOR LEFT-HAND ROTATION, CASING
ORIENTATION IS OPPOSITE THAT SHOWN


**WITH NEMA ADAPTER RING, FITS:
182TC, 184TC, 213C, 215C

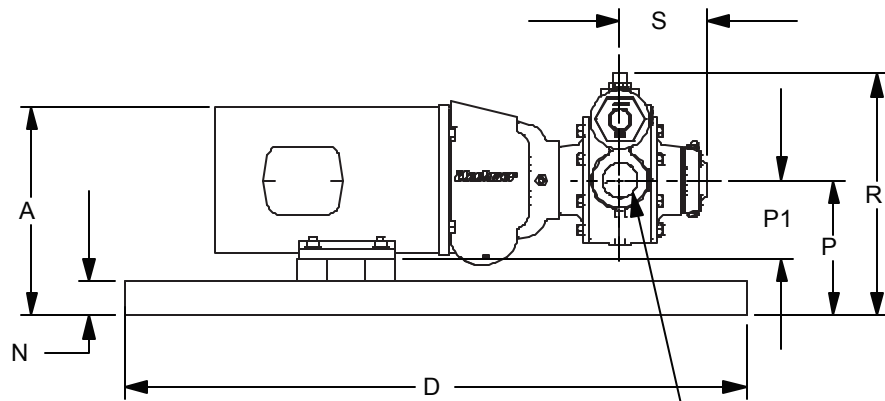
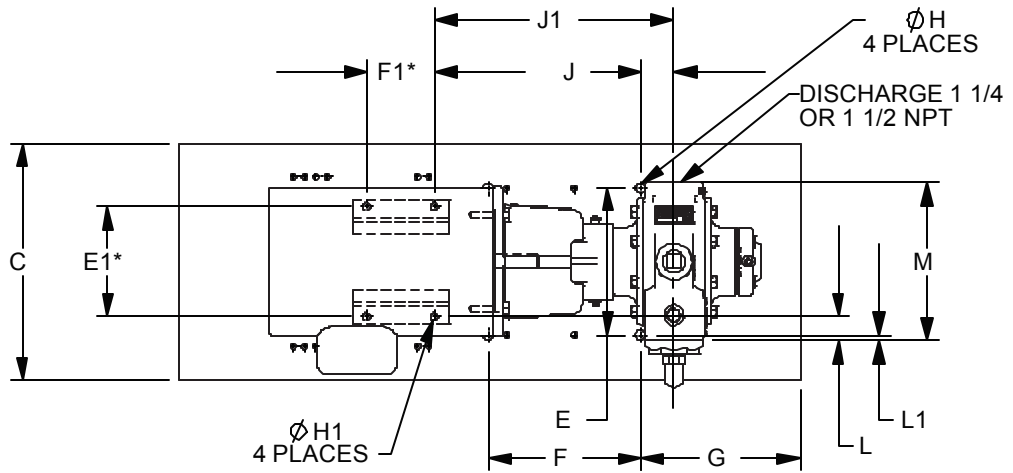
***WITH IEC BRACKET, FITS:
100 / 112 B14A



MOTOR ADAPTER		F	H	D	L	AA
NEMA	IN	5 7/8	7/16	5 1/2	1/2	8 1/16
	MM	149.2	11.1	138.1	12.7	204.8
IEC ***	MM	130	9.5	139.7	14.2	231.8
	IN	5.11	.37	5.5	.56	9.13

MOTOR			UNITS	DIMENSIONS										
FRAME SIZE				A	B	C	D	E	F	G	H	J	K	
			IN	7/8	3/16	1 1/4	SEE TABLE	3 7/8	SEE TABLE	7 1/4	SEE TABLE	—	—	
			MM			32,1		98,4		184,2				
				L	M	N	P	Q	Q1	S	T	U	V	
			IN	SEE TABLE	—	—	—	8	9 1/4	5 5/8	—	3 1/2	3 1/2	
			MM					203,2	235	141,3		88,9	88,9	
				W	X	Y	Z	AA	BB	CC	DD	EE	FF	
			IN	—	—	—	—	SEE TABLE	13	—	—	—	—	
			MM						330,2					
				PUMP WEIGHT										
				LBS				39						
				KG				17,7						

DIMENSIONS 107-103		TYPE	SIZE	UNIT STYLE	 www.blackmer.com
Section Effective Replaces Page 2 / 4	107 OCTOBER 2014 JANUARY 2008	XLF XRLF	1.25B 1.5B	DM (W/BASE) F (W/O BASE)	



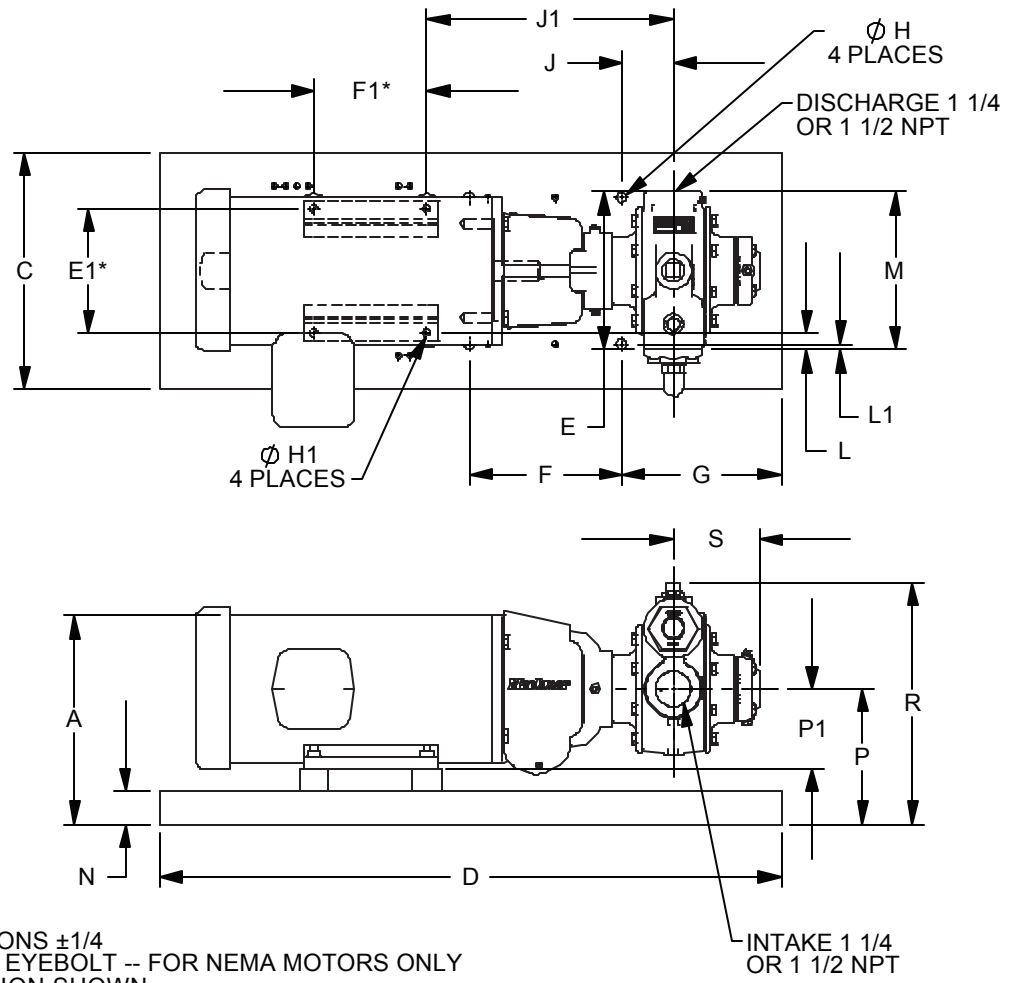
* TOLERANCE $\pm 1/8$
 ALL OTHER DIMENSIONS $\pm 1/4$
 "A" DIMENSION LESS EYEBOLT -- FOR NEMA MOTORS ONLY
 RIGHT-HAND ROTATION SHOWN
 FOR LEFT-HAND ROTATION, CASING ORIENTATION IS OPPOSITE THAT SHOWN

MOTOR			UNITS	DIMENSIONS									
FRAME SIZE	NEMA ONLY	BASE NO.		A	B	C	D	E	E1	F	F1	G	H
56C		901978	IN	9	21 7/8	10 1/2	27 1/2	6 1/2	4 7/8	6 3/4	3	7 1/16	7/16
			MM	228,6	555,6	266,7	533,4	165,1	123,8	171,5	76,2	179,4	11,1
				H1	J	J1	K	L	L1	M	N	P	P1
			IN	7/16	1 1/2	10 5/8	—	13/16	1/4	7	1 1/2	6	3 1/2
			MM	11,1	38,1	269,9	—	20,6	6,4	177,8	38,1	152,4	88,9
				R	S	T	U	V	W	X	Y	Z	AA
			IN	10 11/16	3 7/8	—	—	—	—	—	—	—	—
			MM	271,4	98,4	—	—	—	—	—	—	—	—
				UNIT WEIGHT (LESS MOTOR)									
				LBS		52							
				KG		23,6							



TYPE	SIZE	UNIT STYLE
XLF XRLF	1.25B 1.5B	DM (W/ BASE) F (W/O BASE)

DIMENSIONS 107-103	
Section	107
Effective	OCTOBER 2014
Replaces	JANUARY 2008
Page	3 / 4



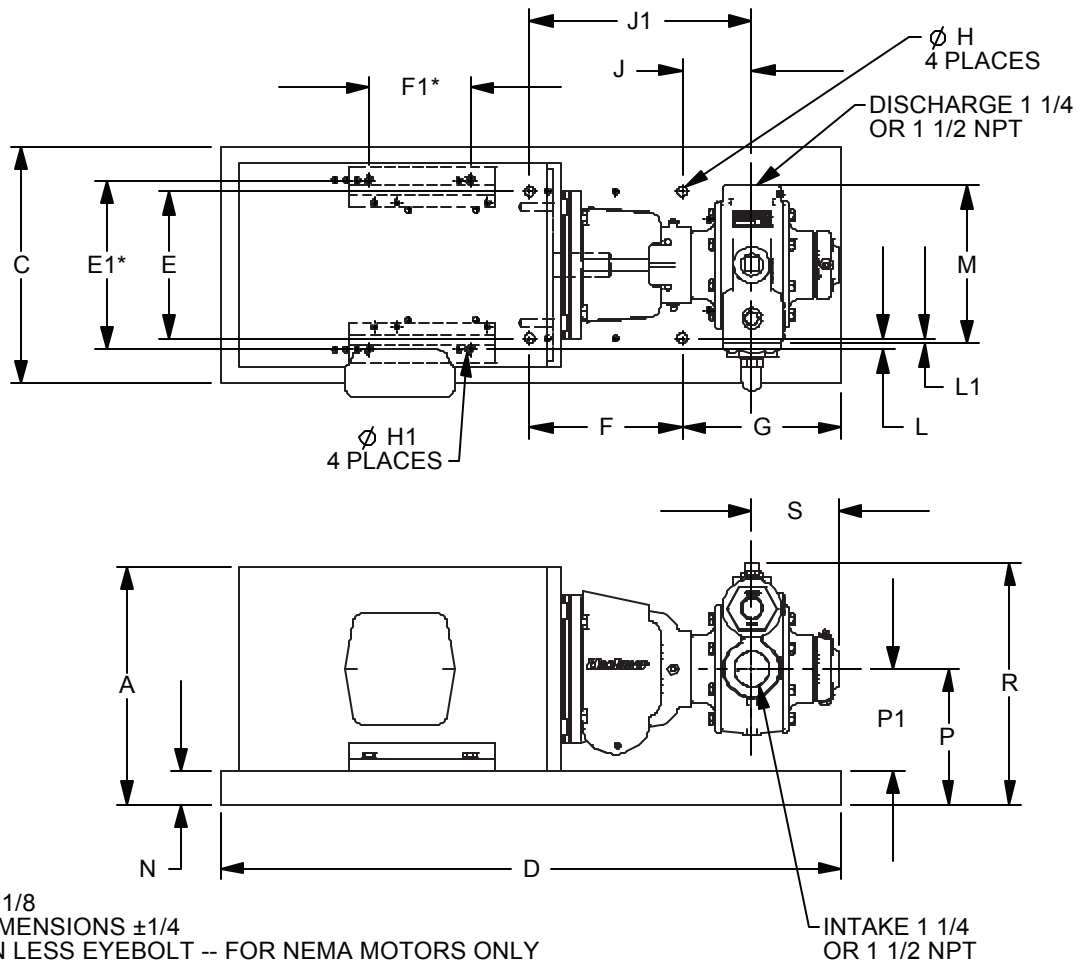
* TOLERANCE ±1/8
 ALL OTHER DIMENSIONS ±1/4
 "A" DIMENSION LESS EYEBOLT -- FOR NEMA MOTORS ONLY
 RIGHT-HAND ROTATION SHOWN
 FOR LEFT-HAND ROTATION, CASING ORIENTATION IS OPPOSITE THAT SHOWN

MOTOR			UNITS	DIMENSIONS									
FRAME SIZE	NEMA ONLY	BASE NO.		A	B	C	D	E	E1	F	F1	G	H
143TC		901978	IN	9 1/4	23 3/4	10 1/2	27 1/2	6 1/2	5 1/2	6 3/4	4	7 1/16	7/16
145TC			MM	235	603,3	266,7	698,5	165,1	139,7	171,5	101,6	179,4	11,1
				H1	J	J1	K	L	L1	M	N	P	P1
			IN	7/16	1 1/2	10 15/16	—	1/2	1/4	7	1 1/2	6	3 1/2
			MM	11,1	38,1	277,8	—	12,7	6,4	177,8	38,1	152,4	88,9
				R	S	T	U	V	W	X	Y	Z	AA
			IN	10 11/16	3 7/8	—	—	—	—	—	—	—	—
			MM	271,4	98,4	—	—	—	—	—	—	—	—
				UNIT WEIGHT (LESS MOTOR)									
				LBS		52							
				KG		23,6							

DIMENSIONS 107-109

Section 107
 Effective OCTOBER 2014
 Replaces JANUARY 2008
 Page 4 / 4

TYPE	SIZE	UNIT STYLE
XLF	1.25B	DM (W/BASE)
XRLF	1.5B	F (W/O BASE)



* TOLERANCE $\pm 1/8$
 ALL OTHER DIMENSIONS $\pm 1/4$
 "A" DIMENSION LESS EYEBOLT -- FOR NEMA MOTORS ONLY
 RIGHT-HAND ROTATION SHOWN
 FOR LEFT-HAND ROTATION, CASING ORIENTATION IS OPPOSITE THAT SHOWN

MOTOR			UNITS	DIMENSIONS									
FRAME SIZE	NEMA ONLY	BASE NO.		A	B	C	D	E	E1	F	F1	G	H
182TC		901978	IN	10 1/2	26 9/16	10 1/2	27 1/2	6 1/2	7 1/2	6 3/4	4 1/2	7 1/16	7/16
184TC			MM	266,7	674,7	266,7	698,5	165,1	190,5	171,5	114,3	179,4	11,1
				H1	J	J1	K	L	L1	M	N	P	P1
			IN	7/16	3 1/16	9 13/16	—	1/4	1/4	7	1 1/2	6	4 1/2
			MM	11,1	77,8	249,2	—	6,4	6,4	177,8	38,1	152,4	114,3
				R	S	T	U	V	W	X	Y	Z	AA
			IN	10 11/16	3 7/8	—	—	—	—	—	—	—	—
			MM	271,5	98,4	—	—	—	—	—	—	—	—
				UNIT WEIGHT (LESS MOTOR)									
				LBS		57							
				KG		25,9							