

DIMENSIONS 105-105 p2/5

Section 105
 Effective March 2000
 Replaces November 1981

TYPE

SIZE

UNIT
 STYLE

XLW

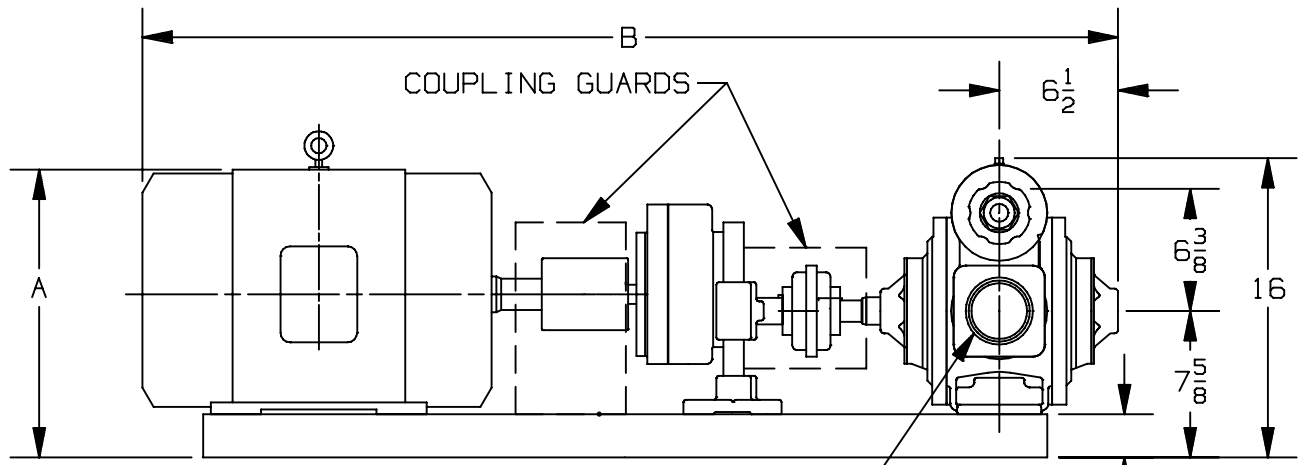
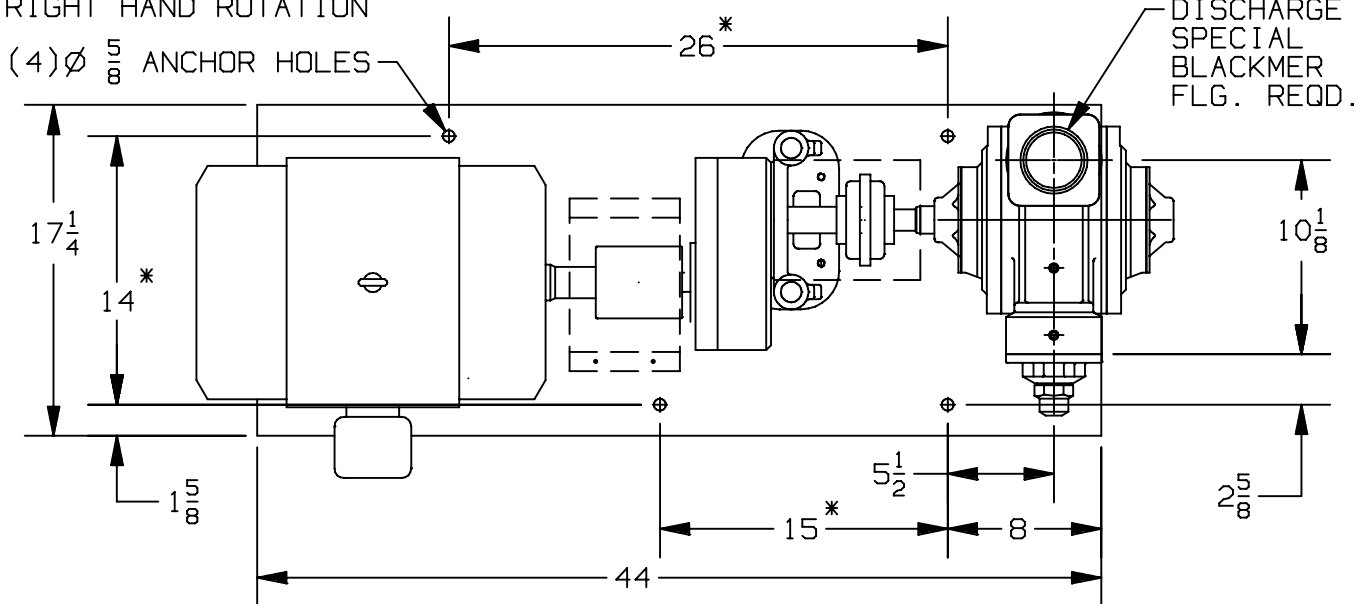
3

HRA



www.blackmer.com

RIGHT HAND ROTATION



UNIT DIMENSION LESS FLANGES

* TOLERANCE $\pm \frac{1}{8}$

TOLERANCE ON OTHER DIMENSIONS $\pm \frac{1}{4}$

"A" DIMENSION LESS EYEBOLT

FLG. HT: 3" NPT - 1 1/2
 3" WELD- 1 1/4

MOTOR			BASE NO.	DIMENSIONS		
FRAME SIZE		UNITS		A	B	
182T		901774	IN	11 7/8	48 3/4	
184T		901774	IN	11 7/8	48 3/4	
213T		901774	IN	13 3/8	48 3/4	
215T		901774	IN	13 3/8	49 3/8	
254T		901774	IN	15 5/8	53 1/4	
256T		901774	IN	15 5/8	55	

DIMENSIONS 105-105 p3/5

Section 105
 Effective March 2000
 Replaces November 1981

TYPE

SIZE

UNIT
 STYLE

XLW

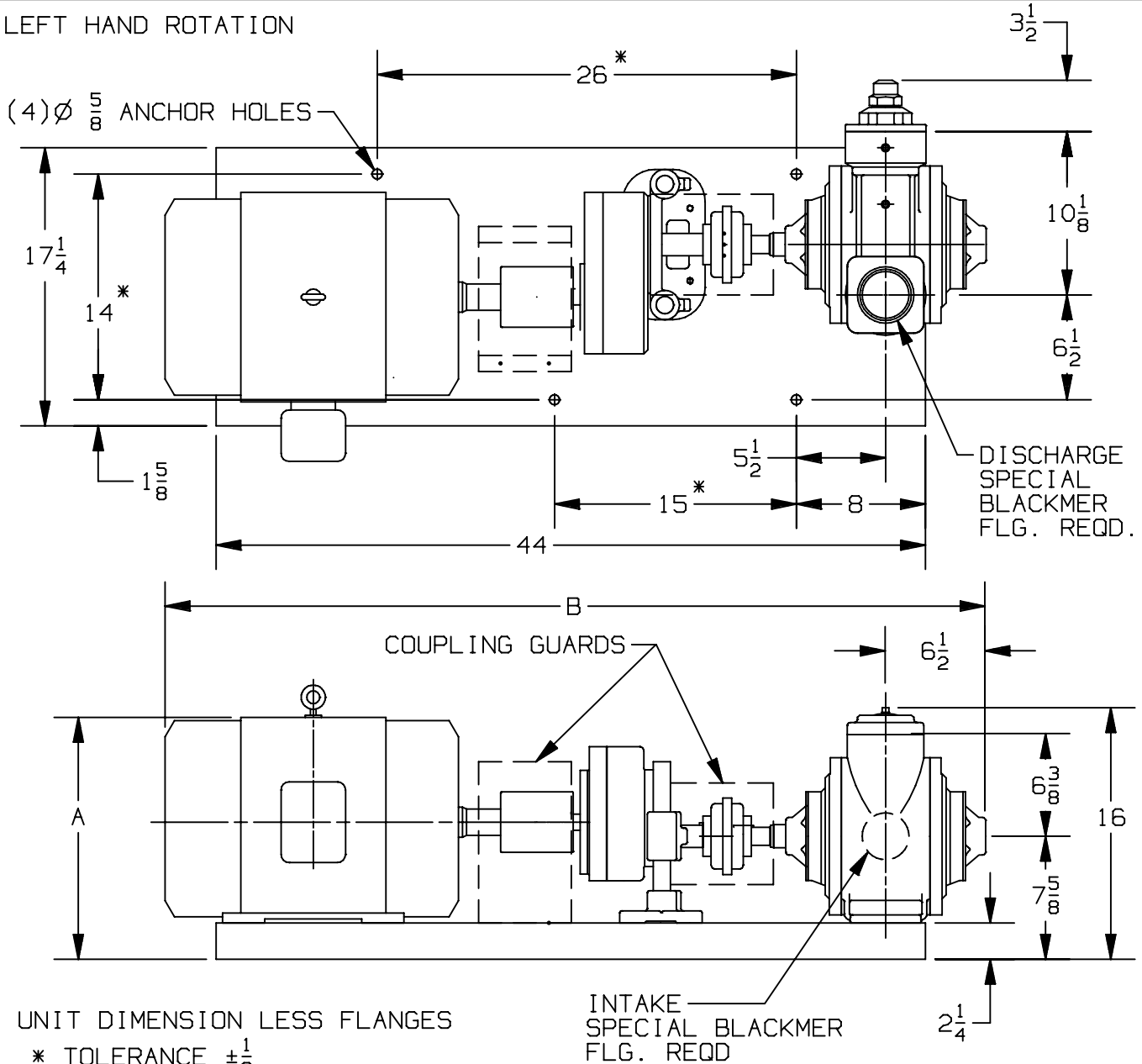
3

HRA



www.blackmer.com

LEFT HAND ROTATION



UNIT DIMENSION LESS FLANGES

* TOLERANCE $\pm \frac{1}{8}$

TOLERANCE ON OTHER DIMENSIONS $\pm \frac{1}{4}$

"A" DIMENSION LESS EYEBOLT

FLG. HT: 3" NPT - 1 1/2
 3" WELD- 1 1/4

MOTOR			DIMENSIONS			
FRAME SIZE		BASE NO.	UNITS	A	B	
182T		901774	IN	11 7/8	48 3/4	
184T		901774	IN	11 7/8	48 3/4	
213T		901774	IN	13 3/8	48 3/4	
215T		901774	IN	13 3/8	49 3/8	
254T		901774	IN	15 5/8	53 1/4	
256T		901774	IN	15 5/8	55	

DIMENSIONS 105-105

Section 105
 Effective March 2006
 Replaces March 2000
 Page 4/5

TYPE

SIZE

UNIT
STYLE

XLW

3

HRB

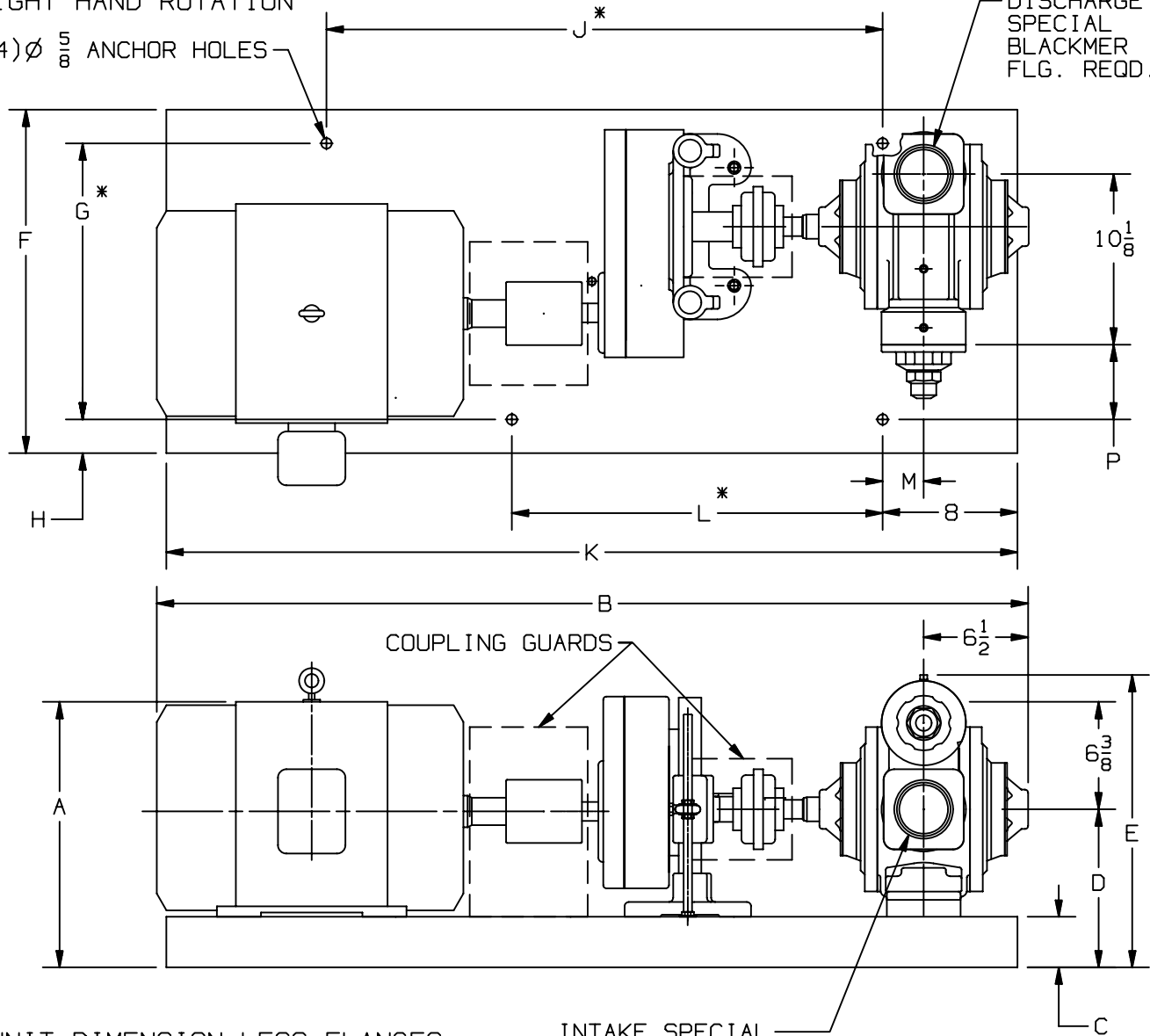


www.blackmer.com

RIGHT HAND ROTATION

(4) $\phi \frac{5}{8}$ ANCHOR HOLES

DISCHARGE
SPECIAL
BLACKMER
FLG. REQD.



UNIT DIMENSION LESS FLANGES

INTAKE SPECIAL
BLACKMER FLG. REQD.

* TOLERANCE $\pm \frac{1}{8}$

TOLERANCE ON OTHER DIMENSIONS $\pm \frac{1}{4}$

"A" DIMENSION LESS EYEBOLT

FLG. HT: 3" NPT - 1 1/2
 3" WELD- 1 1/4

MOTOR			DIMENSIONS														
FRAME SIZE		BASE NO.	UNITS	A	B	C	D	E	F	G	H	J	K	L	M	P	
182T		901772	IN	12 ⁷ / ₈	46 ¹ / ₈	2 1/4	8 5/8	17	17 1/4	14	1 5/8	26	44	15	2 3/8	2 5/8	
184T		901772	IN	12 ⁷ / ₈	47 1/2	2 1/4	8 5/8	17	17 1/4	14	1 5/8	26	44	15	2 3/8	2 5/8	
213T		901772	IN	13 ⁵ / ₈	49 1/2	2 1/4	8 5/8	17	17 1/4	14	1 5/8	26	44	15	2 3/8	2 5/8	
215T		901772	IN	13 ⁵ / ₈	50 1/4	2 1/4	8 5/8	17	17 1/4	14	1 5/8	26	44	15	2 3/8	2 5/8	
254T		901773	IN	16 ³ / ₈	54	3	9 3/8	17 ³ / ₄	20 ³ / ₈	16 ³ / ₈	2	33	50 1/2	22	2 1/2	4 1/2	
256T		901773	IN	16 ³ / ₈	55 ³ / ₄	3	9 3/8	17 ³ / ₄	20 ³ / ₈	16 ³ / ₈	2	33	50 1/2	22	2 1/2	4 1/2	

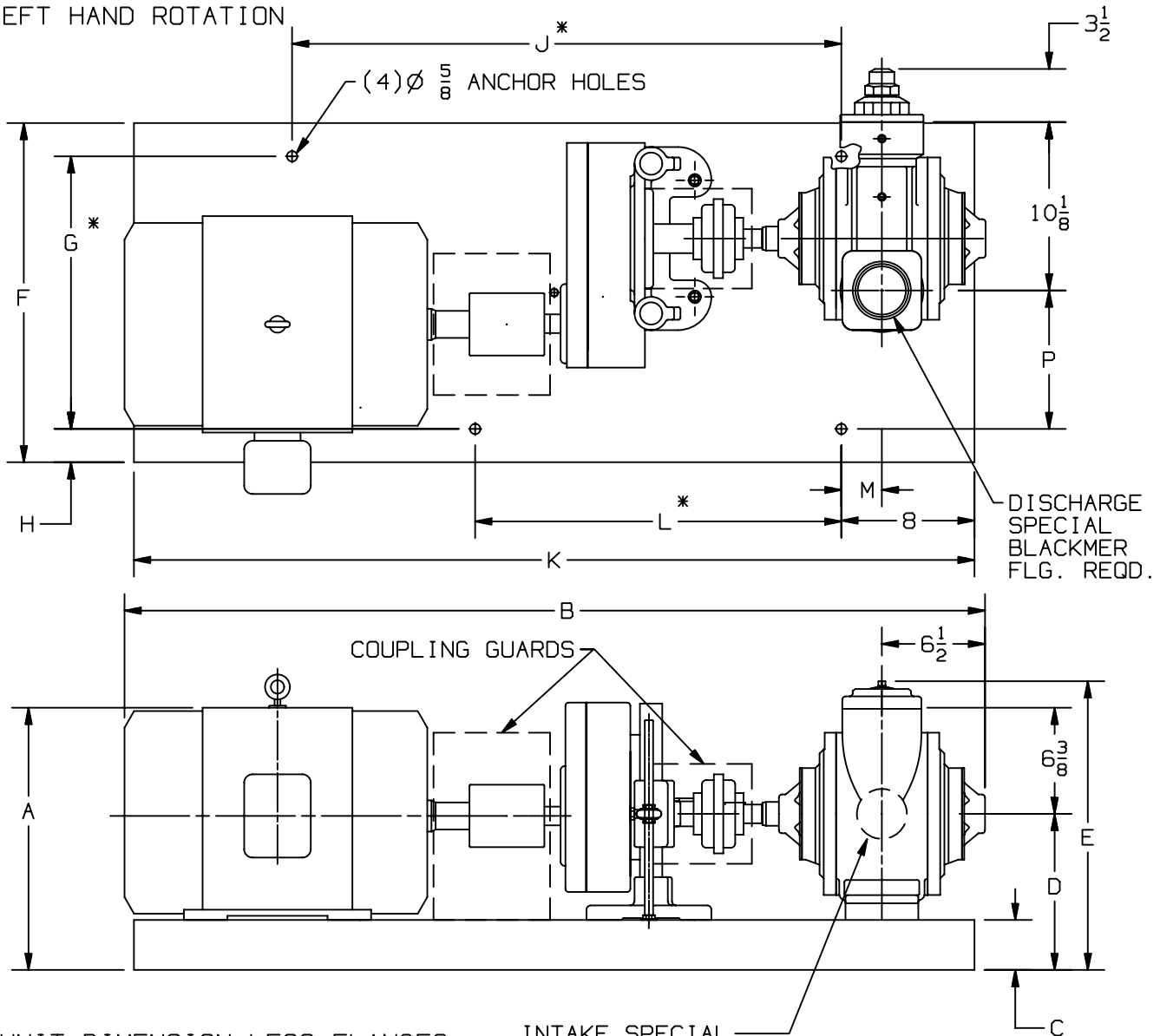
DIMENSIONS 105-105

Section 105
 Effective March 2006
 Replaces March 2000
 Page 5/5

TYPE	SIZE	UNIT STYLE
XLW	3	HRB



LEFT HAND ROTATION



UNIT DIMENSION LESS FLANGES

* TOLERANCE $\pm \frac{1}{8}$

TOLERANCE ON OTHER DIMENSIONS $\pm \frac{1}{4}$

"A" DIMENSION LESS EYEBOLT

FLG. HT: 3" NPT - 1 1/2
 3" WELD- 1 1/4

MOTOR			DIMENSIONS														
FRAME SIZE		BASE NO.	UNITS	A	B	C	D	E	F	G	H	J	K	L	M	P	
182T		901772	IN	12 ⁷ / ₈	46 ¹ / ₈	2 1/4	8 5/8	17	17 1/4	14	1 5/8	26	44	15	2 3/8	6 1/2	
184T		901772	IN	12 ⁷ / ₈	47 1/2	2 1/4	8 5/8	17	17 1/4	14	1 5/8	26	44	15	2 3/8	6 1/2	
213T		901772	IN	13 ⁵ / ₈	49 1/2	2 1/4	8 5/8	17	17 1/4	14	1 5/8	26	44	15	2 3/8	6 1/2	
215T		901772	IN	13 ⁵ / ₈	50 1/4	2 1/4	8 5/8	17	17 1/4	14	1 5/8	26	44	15	2 3/8	6 1/2	
254T		901773	IN	16 ³ / ₈	54	3	9 3/8	17 3/4	20 3/8	16 3/8	2	33	50 1/2	22	2 1/2	8 3/8	
256T		901773	IN	16 ³ / ₈	55 3/4	3	9 3/8	17 3/4	20 3/8	16 3/8	2	33	50 1/2	22	2 1/2	8 3/8	