

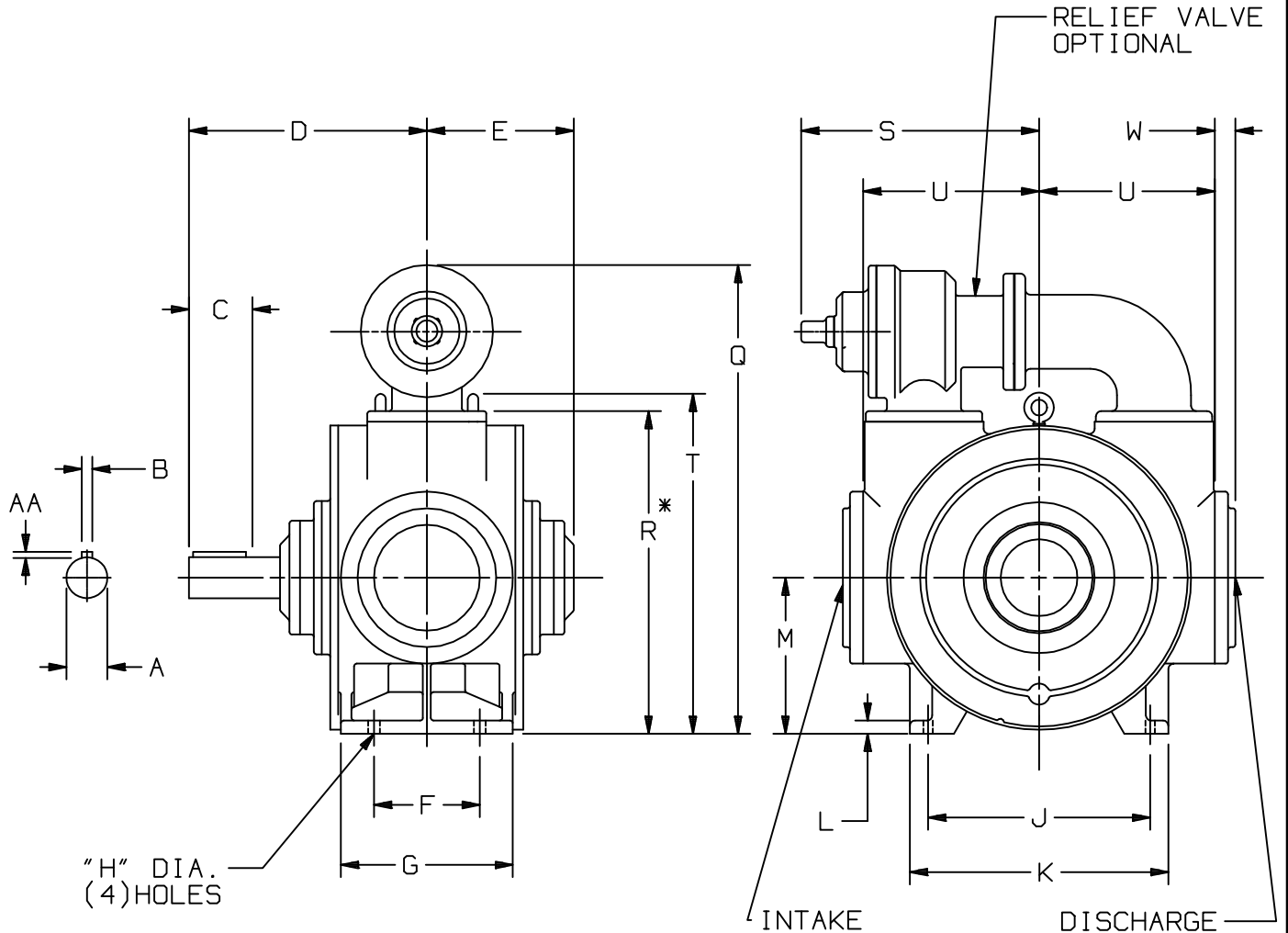


www.blackmer.com

TYPE	SIZE	UNIT STYLE
HXL	10E	PO

DIMENSIONS 102-107
 Effective October 2002
 Replaces July 1999

RIGHT HAND ROTATION, FOR LEFT HAND ROTATION, SHAFT PROJECTION IS OPPOSITE THAT SHOWN.



PUMP FLANGES ARE 10" ANSI COMPATIBLE

* PUMP HEIGHT LESS RELIEF VALVE.

		UNITS	DIMENSIONS									
FRAME SIZE			A	B	C	D	E	F	G	H	J	K
		IN	3 7/8	1	6	22 1/2	13 7/8	10	16 1/4	1 1/8	21	24 7/16
		MM	98,4	25,4	152,4	571,5	352,4	254	412,8	28,6	533,4	620,7
			L	M	N	P	Q	R	S	T	U	V
		IN	1 1/4	14 3/4	—	—	44 5/16	30 1/2	22 1/2	32 1/8	16 5/8	—
		MM	31,8	374,7	—	—	1125,5	774,7	571,5	816	422,3	—
			W	X	Y	Z	AA	BB	CC	DD	EE	FF
		IN	1 15/16	—	—	—	3/8	—	—	—	—	—
		MM	49,2	—	—	—	9,5	—	—	—	—	—