



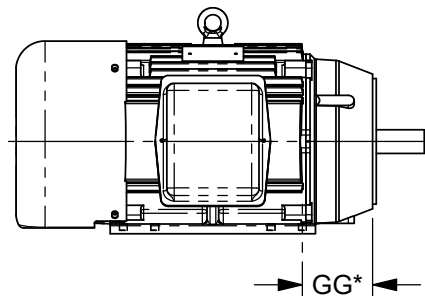
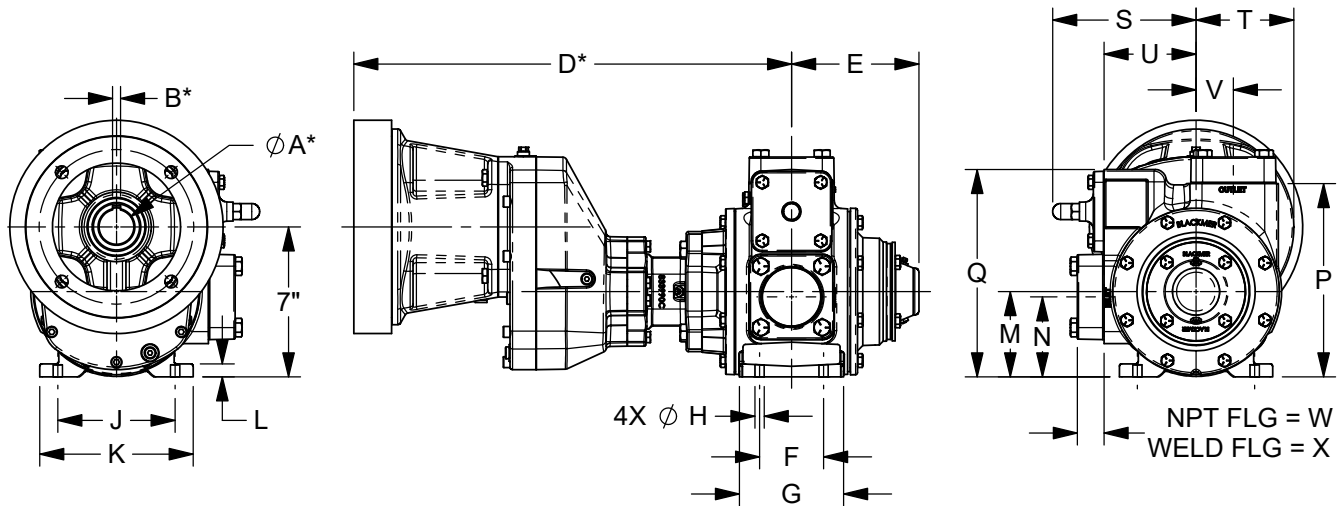
TYPE	SIZE	UNIT STYLE
GNX	2.5	PO

DIMENSIONS 101-206	
Section Effective Replaces Page 1 / 3	101 JUNE 2020 MARCH 2020

RIGHT HAND ROTATION. FOR LEFT HAND ROTATION, SHAFT PROJECTION IS OPPOSITE THAT SHOWN.

*TOLERANCE $\pm 1/8"$

TOLERANCE ON OTHER DIMENSIONS $\pm 1/4"$



MOTOR SIZE	ϕA^*	B*	D*	GG*
NEMA 180TC	1 1/8	1/4	18	3 3/8
NEMA 210TC	1 3/8	5/16	18 3/4	4 1/4
NEMA 250TC	1 5/8	3/8	20 1/2	4 3/4
IEC 100/112 B5	28mm	8mm	18 5/8	N/A

DIMENSIONS											WEIGHTS	
UNITS	A	B	C	D	E	F	G	H	J	K	UNITS	PUMP ONLY
IN	---	---	---	---	6	3	4 7/8	7/16	5 1/2	7	LBS	96
MM	---	---	---	---	152,4	76,2	123,8	11,1	139,7	177,8	KG	44
	L	M	N	P	Q	R	S	T	U	V		W/ NPT FLANGES
IN	7/16	4	3 3/4	9 1/16	9 5/8	---	6 13/16	4 9/16	4 5/16	1 3/4	LBS	102
MM	11,1	101,6	95,3	230,2	244,5	---	173	115,9	109,5	44,4	KG	46
	W	X	Y	Z	AA	BB	CC	DD	EE	FF		W/ WELD FLANGES
IN	1 3/16	1 1/4	---	---	---	---	---	---	---	---	LBS	101
MM	30,2	31,8	---	---	---	---	---	---	---	---	KG	46
	GG	HH	JJ	KK	LL	MM						W/ ANSI FLANGES
IN	---	---	---	---	---	---					LBS	126
MM	---	---	---	---	---	---					KG	57



TYPE	SIZE	UNIT STYLE
GNX	2.5	GNX

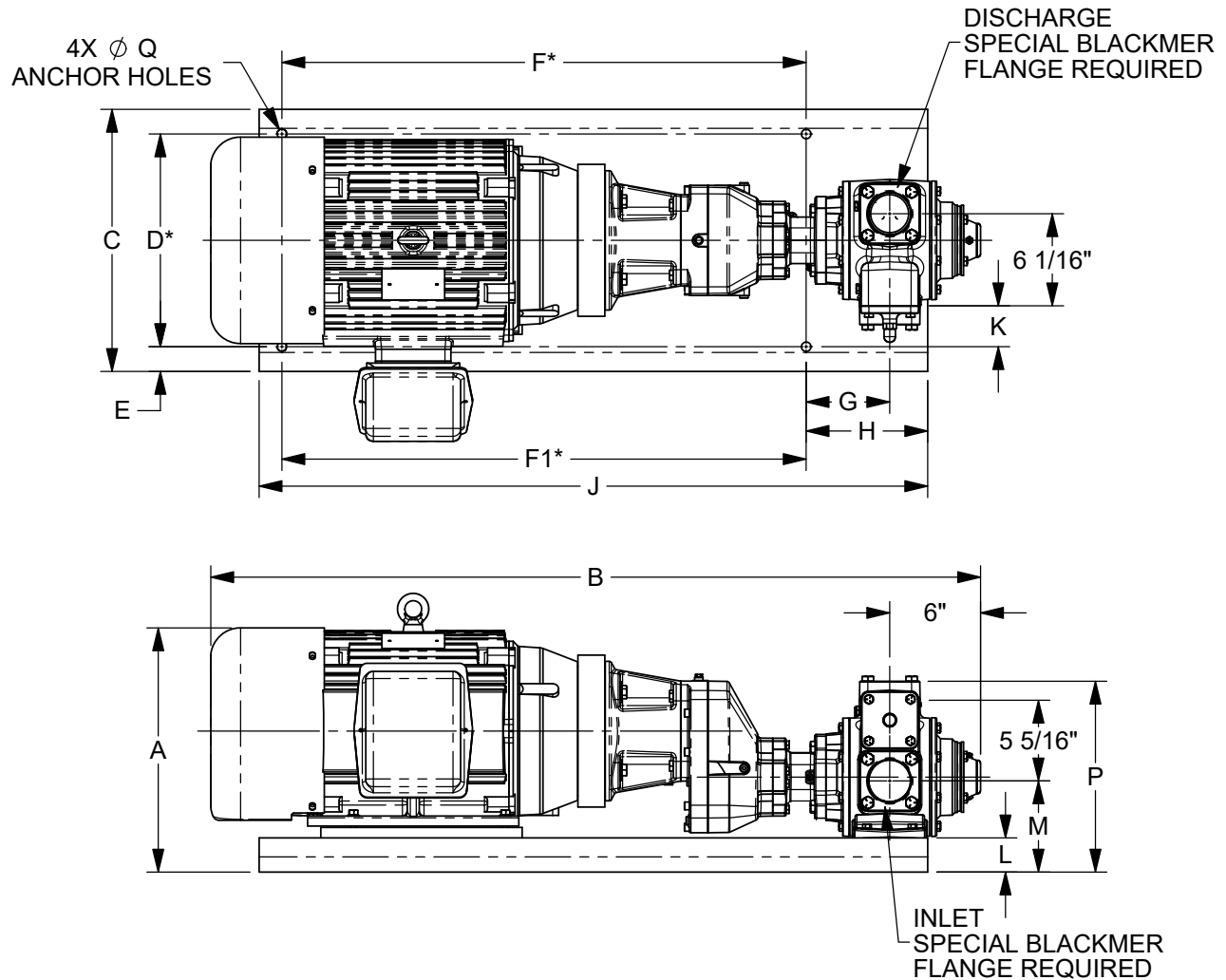
DIMENSIONS 101-206	
Section Effective Replaces Page 2 / 3	101 JUNE 2020 MARCH 2020

RIGHT HAND ROTATION SHOWN.

BENT STEEL BASEPLATE

*TOLERANCE $\pm 1/8"$

TOLERANCE ON OTHER DIMENSIONS $\pm 1/4"$



"A" DIMENSION LESS MOTOR EYEBOLT

MOTOR			BASE NO.	DIMENSIONS															APPROX. UNIT WT. - POUNDS	
FRAME SIZE	H.P.	RPM		A	B	C	D	E	F	F1	G	H	J	K	L	M	P	Q	LESS MOTOR	INCL MOTOR
182TC	3	1800	905621	13 3/4	36 7/8	13 3/4	10	1 7/8	14	14	3 1/2	6	32	11/16	1 3/4	5 1/2	12 1/16	7/16	208	282
184TC	5	1800	905621	13 3/4	37 7/8	13 3/4	10	1 7/8	14	14	3 1/2	6	32	11/16	1 3/4	5 1/2	12 1/16	7/16	208	289
213TC	7 1/2	1800	905622	14 1/4	40 5/8	14 3/4	10	2 3/8	16	16	3 1/2	6	34	11/16	1 3/4	5 1/2	12 1/16	7/16	217	363
215TC	10	1800	905622	14 1/4	42 3/8	14 3/4	10	2 3/8	16	16	3 1/2	6	34	11/16	1 3/4	5 1/2	12 1/16	7/16	217	444
215C	5	1800	905628	13 3/4	41 1/2	14 3/4	10	2 3/8	16	16	3 1/2	6	34	11/16	1 3/4	5 1/2	12 1/16	7/16	217	638
254TC	15	1800	905623	16	49 1/2	17 1/4	14	1 5/8	34 1/2	34 1/2	5 1/2	8	44	2 11/16	2 1/4	6	12 9/16	5/8	254	634
256TC	15	1500	905623	16	50 5/8	17 1/4	14	1 5/8	34 1/2	34 1/2	5 1/2	8	44	2 11/16	2 1/4	6	12 9/16	5/8	254	674

