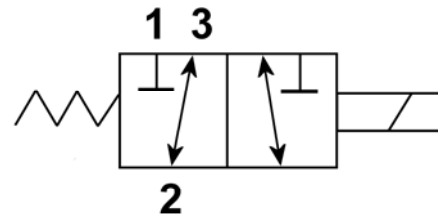
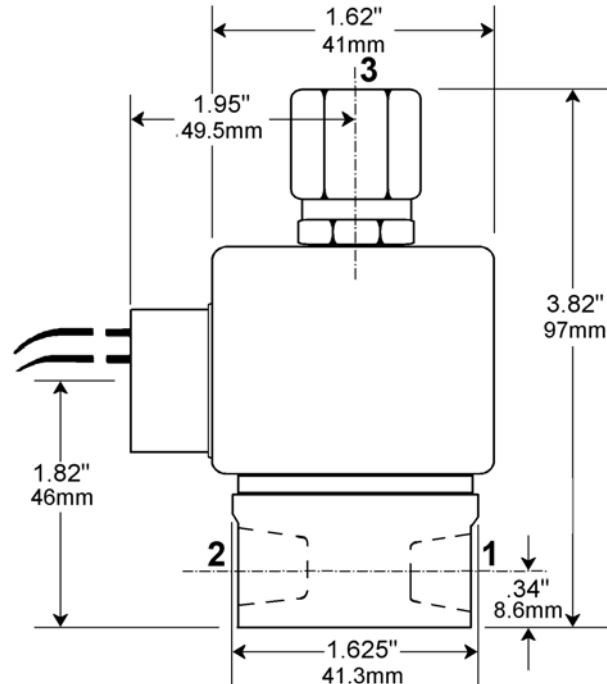


BLACKMER 3-WAY UNLOADER SOLENOID

Part No. 790589
 3-way Multi-Purpose Solenoid Valve
 Stainless Steel Construction
 Stainless Steel Plunger
 NBR Seals
 Indoor or Outdoor Service
 Explosion Proof Cl. 1, Div.1, 2 Grp. A,B,C,D
 Cl. 2, Div. 1,2 Grp. EFG
 400 psig Maximum Differential Pressure
 Molded High Temperature, Water Proof Coil
 10 Watt Maximum Power Consumption
 120 V. AC operation (60Hz.)
 110 V. AC operation (50Hz.)
 Orifice: 0.0313" dia., w/CV of 0.024
 Gas Connections: ¼" NPT
 Electrical connection: ½" NPT Conduit
 Max. Ambient Temp. Rating 150° F
 Mounting Holes: Two #10-32 NF Th'd x .25 deep



1 = NC, 2 = Common, 3 = NO

Normal Tubing Routing (N.C. Operation)

(Compressor unloaded when the solenoid is Energized):

Port 1 (N/C) Compressor Discharge, Down stream of
 Any check valves

Port 2 (Com) Suction Valve Unloaders.

Port 3 (N/O) Compressor Suction or Vent.

Optional Tube Routing: (N.O. Operation)

(Compressor loaded when the solenoid is Energized)

Port 1 (N/C) Suction or Vent

Port 2 (Com) Unloaders

Port 3 (N/O) Compressor Discharge