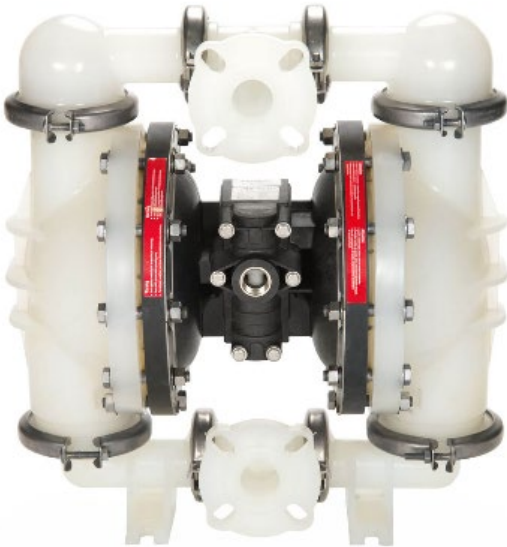


# SPECIFICATIONS SHEET

## C150 – 1-1/2 in. PLASTIC PUMP



**Air Inlet**  
3/4" FNPT

**Liquid Inlet**  
1-1/2"

**Liquid Discharge**  
1-1/2"

**Connection Type**  
ANSI/DIN (Flanged)

**Max Suction Lift Capability**  
15 ft-H<sub>2</sub>O (4.6 m-H<sub>2</sub>O) Dry  
26 ft-H<sub>2</sub>O (7.9 m-H<sub>2</sub>O) Wet

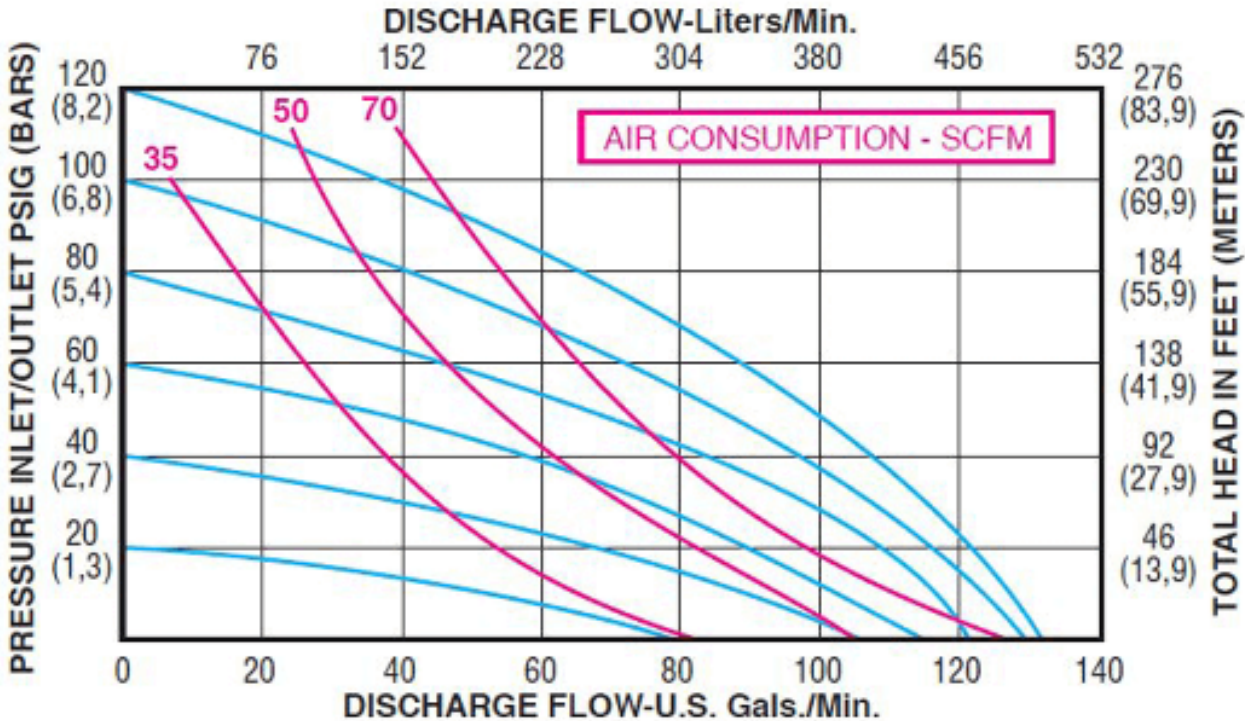
**Max Flow Rate**  
130 gpm (492 lpm)

**Max Pressure**  
120 psi (8.2 bar)

**Max Solids Dia.**  
1/4" (6.4 mm)

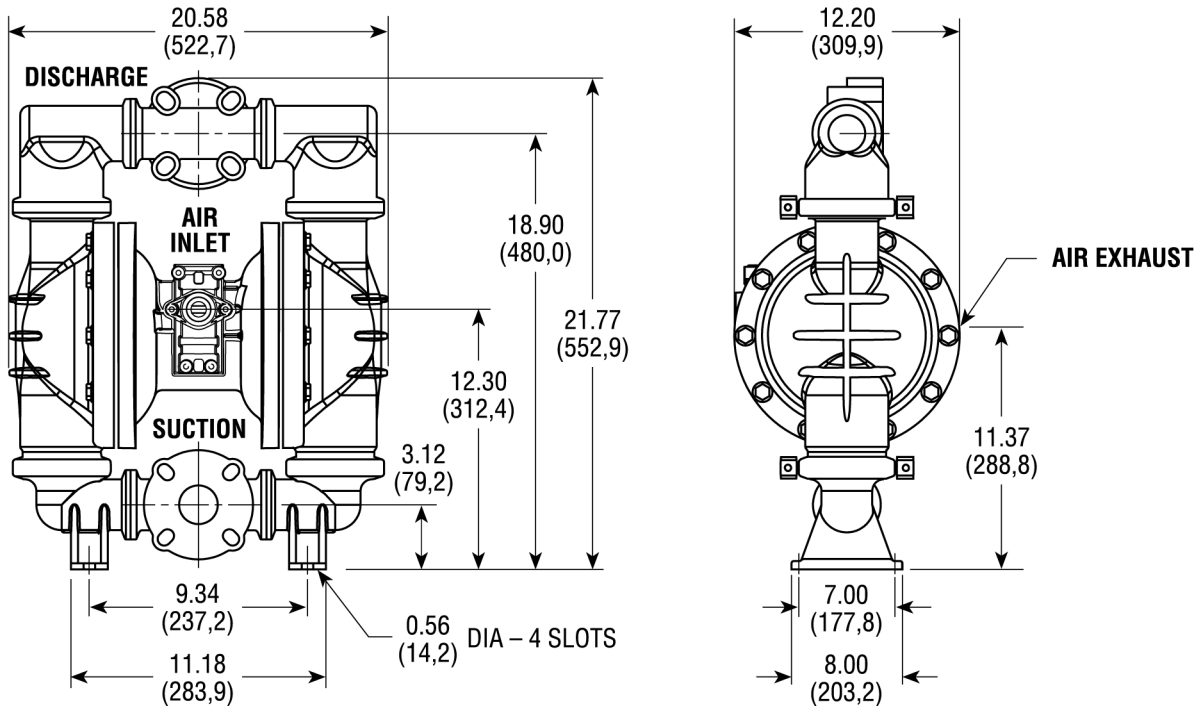
**Disp. Per Stroke**  
0.46 gal (1.74 L)

**Weight**  
Poly: 46 lbs (20.8 kg)  
PVDF: 65 lbs (29.4 kg)



## SPECIFICATIONS SHEET

## C150 – 1-1/2 in. PLASTIC PUMP



## Construction

<b>Wet End:</b>	Polypropylene, PVDF
<b>Air End:</b>	Glass Filled Polypropylene
<b>Diaphragms:</b>	Bunalast™, PTFE With Santoprene® backup, Santoprene®, FKM
<b>Balls:</b>	Bunalast™, PTFE, Santoprene®, FKM
<b>Seats:</b>	Polypropylene, PVDF
<b>O-Rings:</b>	Buna-N, EPDM, PTFE, FKM
<b>Hardware:</b>	PTFE Coated Stainless Steel, Stainless Steel
<b>Muffler:</b>	Plastic

## Popular Models

<b>C150-FPP-GNPN-B70</b>	Polypropylene, ANSI/DIN Flange, Bunalast™ Diaphragm, Buna-N Ball, Polypropylene Seat, Buna-N O-Ring, Stainless Steel Hardware
<b>C150-FPP-SSPE-B70*</b>	Polypropylene, ANSI/DIN Flange, Santoprene® Diaphragm, Santoprene® Ball, Polypropylene Seat, EPDM O-Ring, Stainless Steel Hardware
<b>C150-FPP-TTPT-B70*</b>	Polypropylene, ANSI/DIN Flange, PTFE Diaphragm, PTFE Ball, Polypropylene Seat, PTFE O-Ring, Stainless Steel Hardware
<b>C150-FPK-SSKE-B70</b>	PVDF, ANSI/DIN Flange, Santoprene® Diaphragm, Santoprene® Ball, PVDF Seat, EPDM O-Ring, Stainless Steel Hardware
<b>C150-FPK-TTKT-B70</b>	PVDF, ANSI/DIN Flange, PTFE Diaphragm, PTFE Ball, PVDF Seat, PTFE O-Ring, Stainless Steel Hardware

\*Pump model is part of the Ready2Ship Program