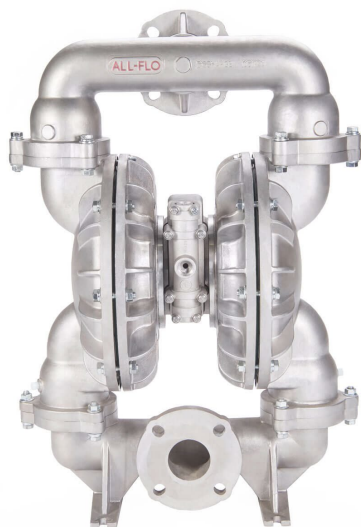


# SPECIFICATIONS SHEET

## A300 – 3 in. METAL PUMP



**Air Inlet**  
3/4" FNPT

**Liquid Inlet**  
3"

**Liquid Discharge**  
3"

**Connection Type**  
FNPT/FBSPT (Threaded)  
ANSI/DIN (Flanged)

**Max Suction Lift Capability**  
20 ft-H<sub>2</sub>O (6.1 m-H<sub>2</sub>O) Dry  
31 ft-H<sub>2</sub>O (9.4 m-H<sub>2</sub>O) Wet

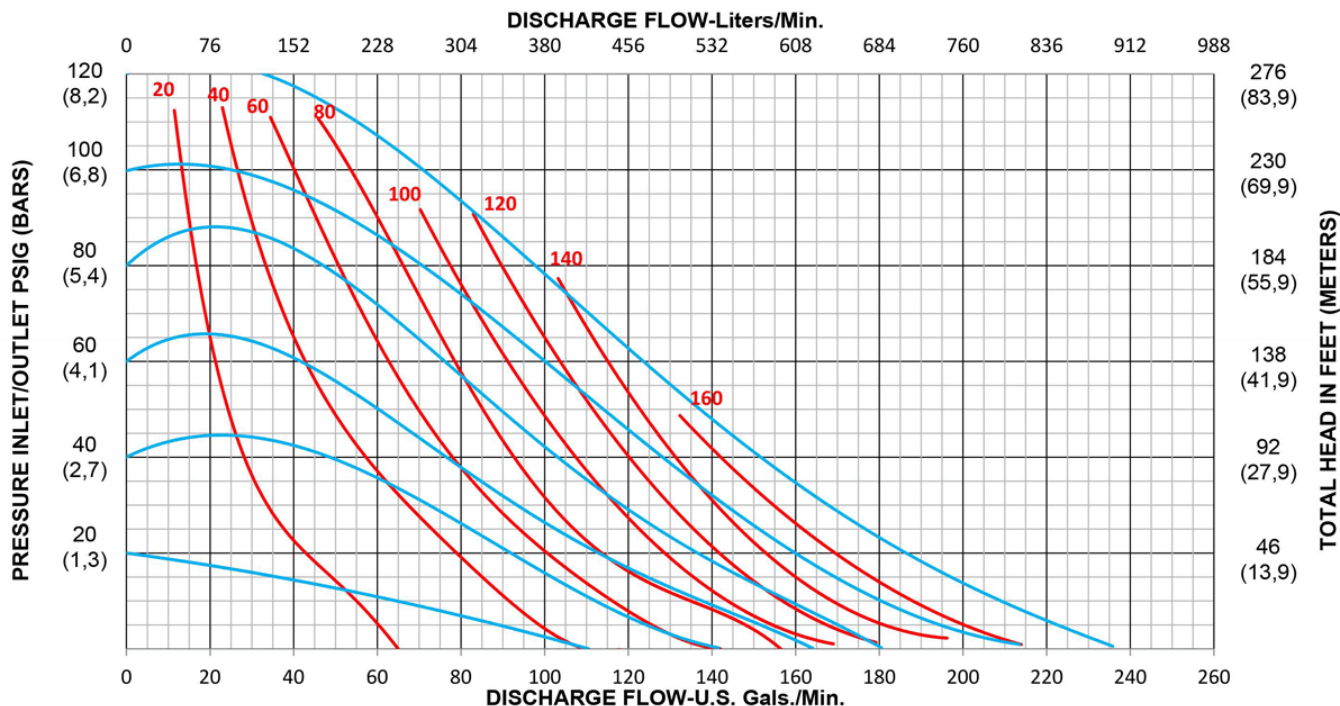
**Max Flow Rate**  
235 gpm (890 lpm)

**Max Pressure**  
120 psi (8.2 bar)

**Max Solids Dia.**  
7/16" (11 mm)

**Disp. Per Stroke**  
0.98 gal (3.70 L)

**Weight**  
Al: 135 lbs (62 kg)  
SS: 300 lbs (136 kg)



PSG  
All-Flo  
22069 Van Buren Street  
Grand Terrace, CA 92313, USA

P: +1 (440) 354-1700  
F: +1 (440) 354-9466

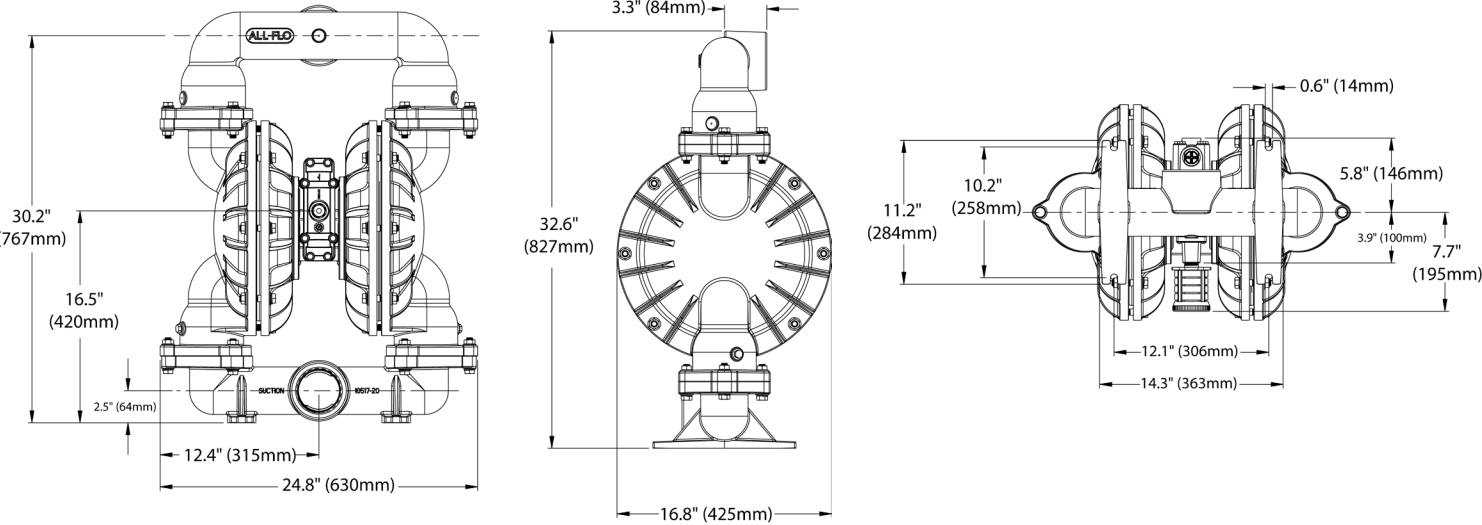
all-flo.com



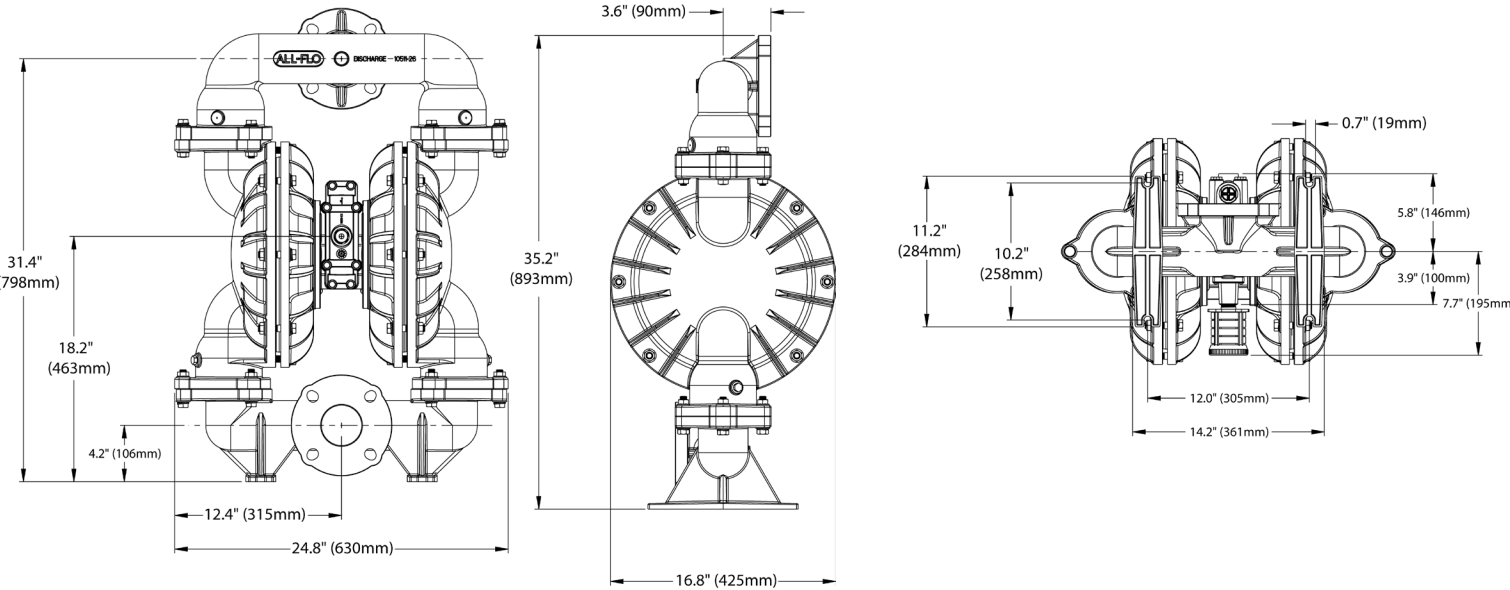
# SPECIFICATIONS SHEET

## A300 – 3 in. METAL PUMP

### Aluminum



### Stainless Steel



PSG  
 All-Flo  
 22069 Van Buren Street  
 Grand Terrace, CA 92313, USA

P: +1 (440) 354-1700  
 F: +1 (440) 354-9466

all-flo.com

