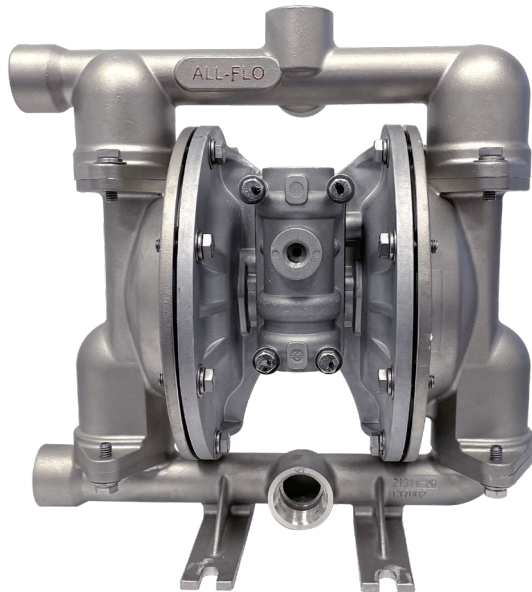


# SPECIFICATIONS SHEET

## A101 – 1 in. Metal SS PUMP



**Air Inlet**  
1/4" FNPT

**Liquid Inlet**  
1"

**Liquid Discharge**  
1"

**Connection Type**  
FNPT/FBSPT (Threaded)

**Max Suction Lift Capability**  
17 ft-H<sub>2</sub>O (5.2 m-H<sub>2</sub>O) Dry  
30 ft-H<sub>2</sub>O (9.1 m-H<sub>2</sub>O) Wet

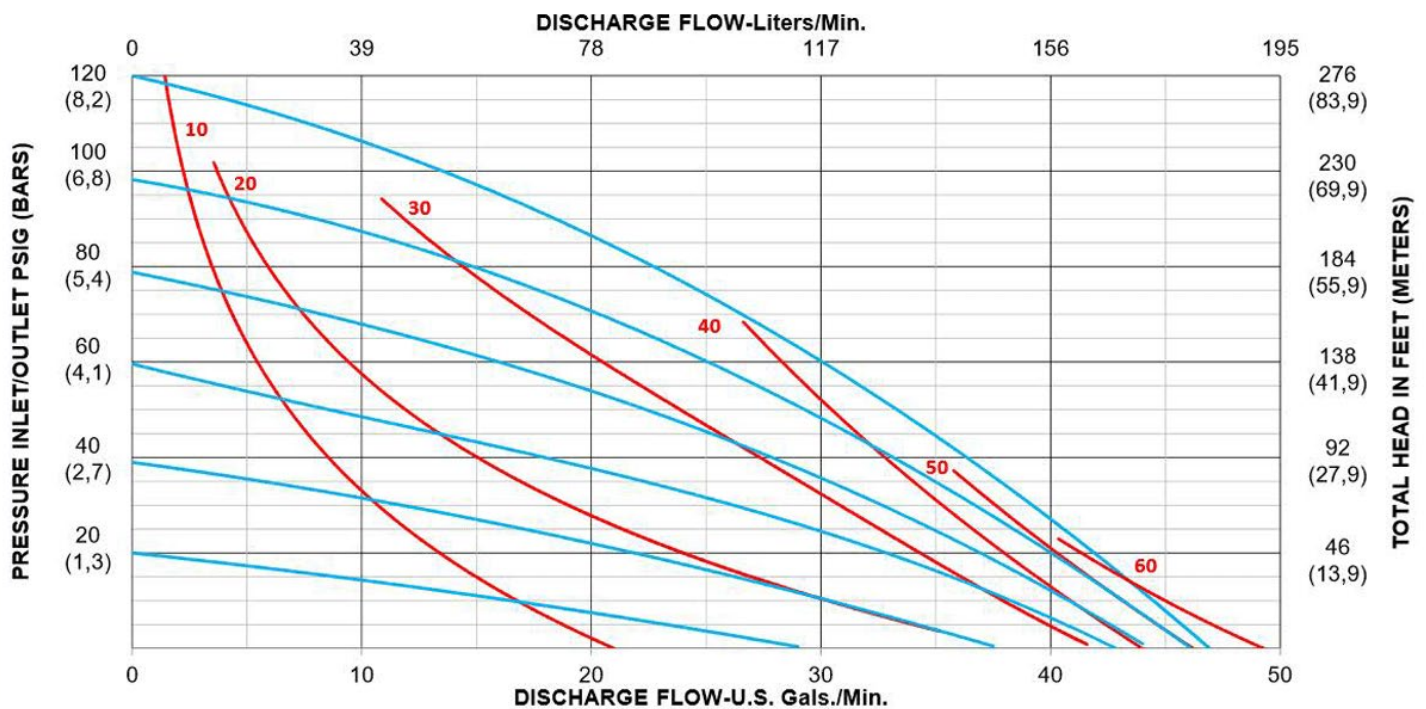
**Max Flow Rate**  
48 gpm (182 lpm)

**Max Pressure**  
120 psi (8.2 bar)

**Max Solids Dia.**  
1/4" (6.4 mm)

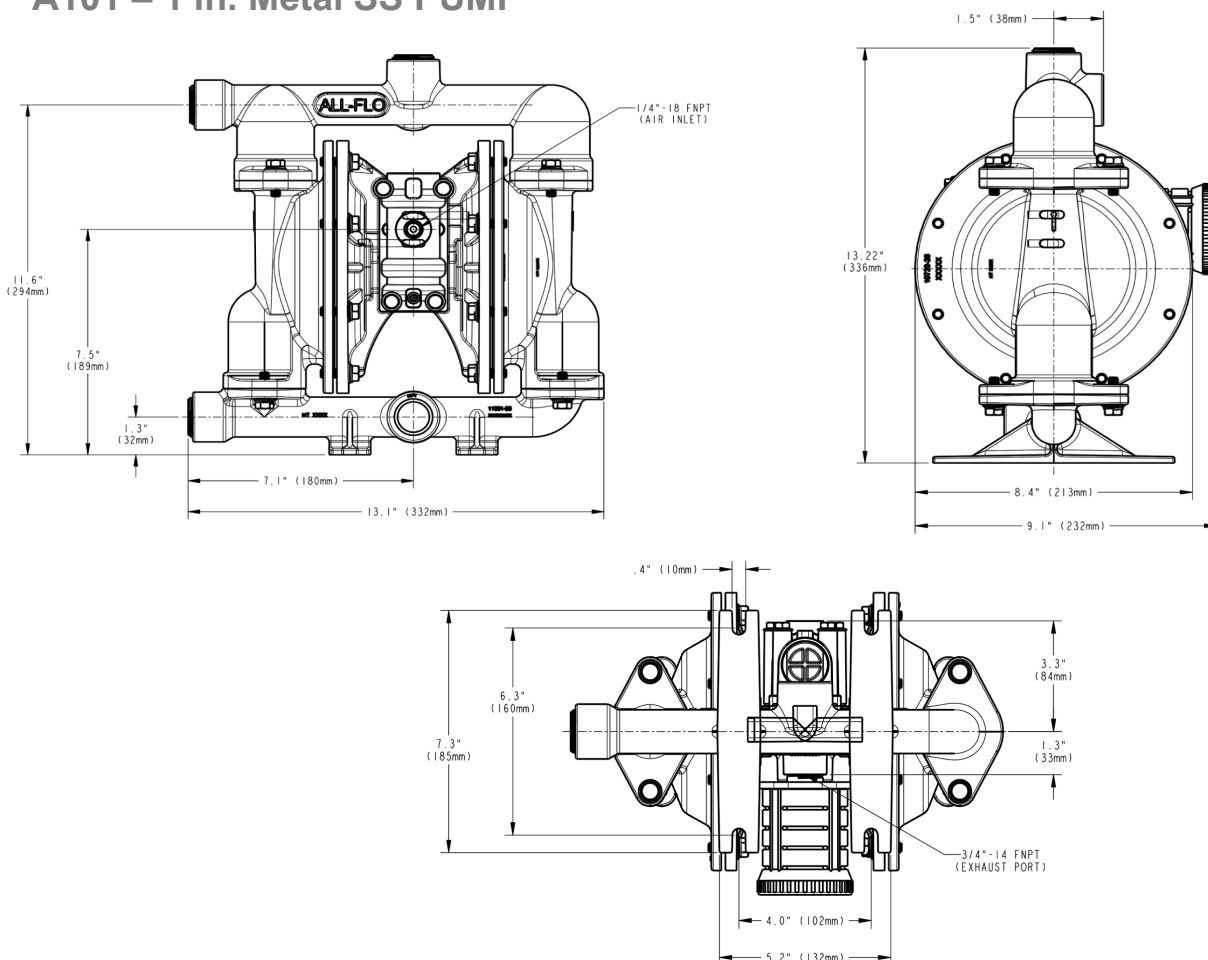
**Disp. Per Stroke**  
0.07 gal (0.28 L)

**Shipping Weight**  
SS: 36 lbs (16 kg)



# SPECIFICATIONS SHEET

## A101 – 1 in. Metal SS PUMP



### Construction

<b>Wet End:</b>	Stainless Steel
<b>Air End:</b>	Aluminum, PTFE Coating Aluminum
<b>Diaphragms:</b>	Bunast™, PTFE, Santoprene®, Buna-N, FKM
<b>Balls:</b>	Bunast™, PTFE, Santoprene®, Buna-N, FKM, Stainless Steel
<b>Seats:</b>	Aluminum, Stainless Steel, Polypropylene, Nylon
<b>O-Rings:</b>	Buna-N, EPDM, PTFE, FKM
<b>Hardware:</b>	Zinc Plated Steel, Stainless Steel
<b>Muffler:</b>	Plastic, Metal

### Popular Models

<b>A100-NAA-SS3E-B70</b>	NPT, Santoprene® Diaphragm, Santoprene® Ball, Stainless Steel Seat, EPDM O-Ring, Stainless Steel Hardware
<b>A100-NAA-TT3T-B70*</b>	NPT, PTFE Diaphragm, PTFE Ball, Stainless Steel Seat, FKM O-Ring, Stainless Steel Hardware

\*Pump model is part of the Ready2Ship program



PSG  
All-Flo  
22069 Van Buren Street  
Grand Terrace, CA 92313, USA

P: +1 (440) 354-1700  
F: +1 (440) 354-9466

all-flo.com

