

# SPECIFICATIONS SHEET

## A075 – 3/4 in. PLASTIC PUMP



**Air Inlet**  
1/4" FNPT

**Liquid Inlet**  
3/4"

**Liquid Discharge**  
3/4"

**Connection Type**  
FNPT/FBSPT (Threaded)

**Max Suction Lift Capability**  
15 ft-H<sub>2</sub>O (4.6 m-H<sub>2</sub>O) Dry  
26 ft-H<sub>2</sub>O (7.9 m-H<sub>2</sub>O) Wet

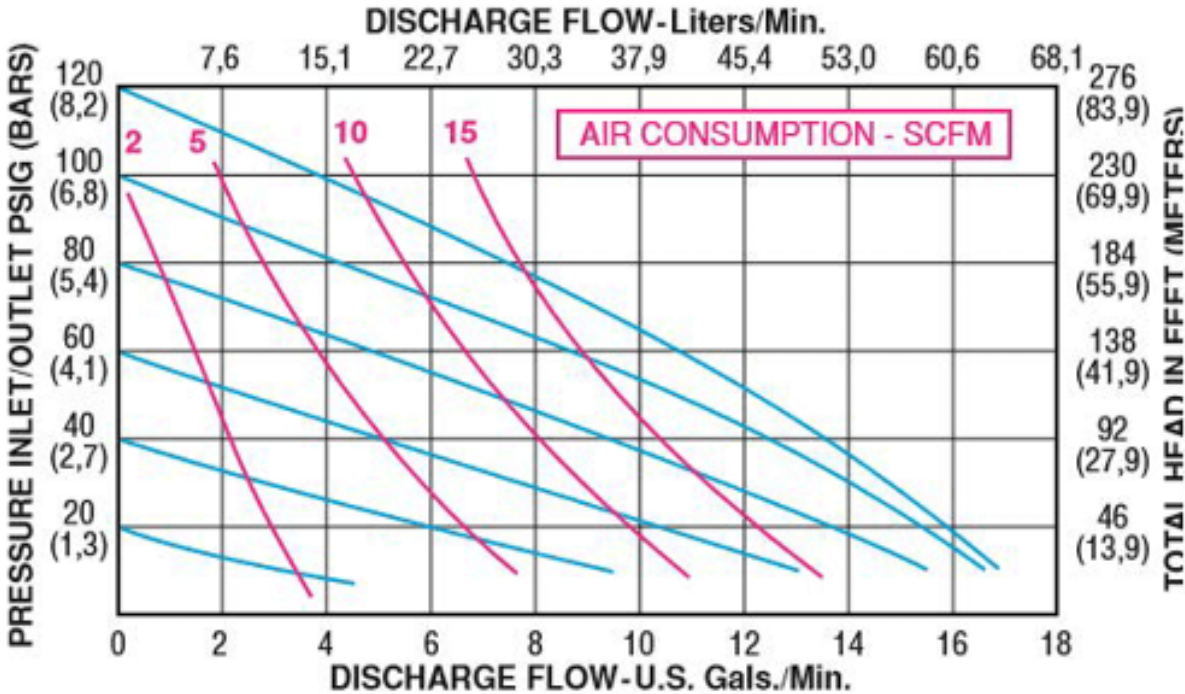
**Max Flow Rate**  
17 gpm (64.6 lpm)

**Max Pressure**  
120 psi (8.2 bar)

**Max Solids Dia.**  
1/8" (3.2 mm)

**Disp. Per Stroke**  
0.03 gal (0.10 L)

**Weight**  
Poly: 9 lbs (4.1 kg)  
PVDF: 12 lbs (5.4 kg)  
Nylon: 12 lbs (5.4 kg)



PSG  
All-Flo  
22069 Van Buren Street  
Grand Terrace, CA 92313, USA

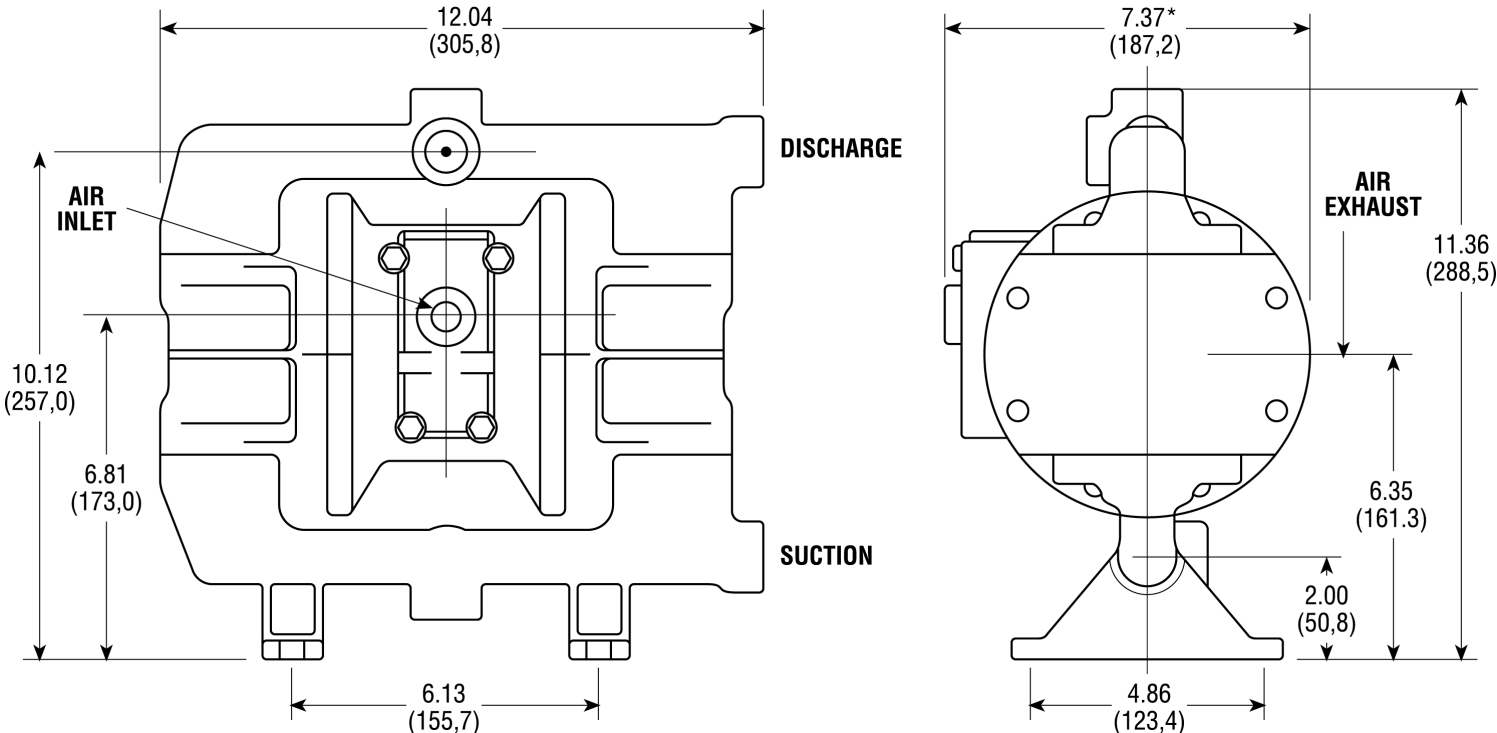
P: +1 (440) 354-1700  
F: +1 (440) 354-9466

all-flo.com



**SPECIFICATIONS SHEET**

**A075 – 3/4 in. PLASTIC PUMP**



Construction	
<b>Wet End:</b>	Polypropylene, PVDF, Conductive Nylon
<b>Air End:</b>	Glass Filled Polypropylene
<b>Diaphragms:</b>	Bunast™, PTFE, Santoprene®, FKM
<b>Balls:</b>	Bunast™, PTFE, Santoprene®, FKM
<b>Seats:</b>	Polypropylene, PVDF
<b>O-Rings:</b>	Buna-N, EPDM, PTFE, FKM
<b>Hardware:</b>	PTFE Coated Stainless Steel, Stainless Steel
<b>Muffler:</b>	Plastic, Metal

Popular Models	
<b>A075-NPP-GGPN-S70</b>	Polypropylene, NPT(BSP), Bunast™ Diaphragm, Bunast™ Ball, Polypropylene Seat, Buna-N O-Ring, Stainless Steel Hardware
<b>A075-NPP-SSPE-S70</b>	Polypropylene, NPT(BSP), Santoprene® Diaphragm, Santoprene® Ball, Polypropylene Seat, EPDM O-Ring, Stainless Steel Hardware
<b>A075-NPP-TTPT-S70</b>	Polypropylene, NPT(BSP), PTFE Diaphragm, PTFE Ball, Polypropylene Seat, FKM O-Ring, Stainless Steel Hardware
<b>A075-NPK-SSKE-S70</b>	PVDF, NPT(BSP), Santoprene® Diaphragm, Santoprene® Ball, PVDF Seat, EPDM O-Ring, Stainless Steel Hardware
<b>A075-NPK-TTKT-S70</b>	PVDF, NPT(BSP), PTFE Diaphragm, PTFE Ball, PVDF Seat, PTFE O-Ring, Stainless Steel Hardware



PSG  
All-Flo  
22069 Van Buren Street  
Grand Terrace, CA 92313, USA

P: +1 (440) 354-1700  
F: +1 (440) 354-9466

all-flo.com

