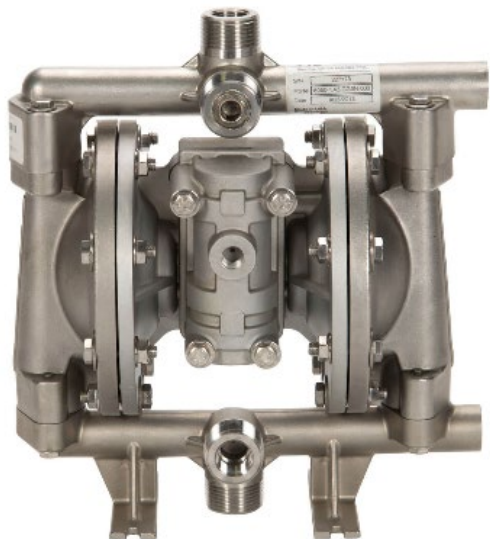


# SPECIFICATIONS SHEET

## A050 – 1/2 in. METAL PUMP



**Air Inlet**  
1/4" FNPT

**Liquid Inlet**  
1/2"

**Liquid Discharge**  
1/2"

**Connection Type**  
FNPT/FBSPT (Threaded)

**Max Suction Lift Capability**  
15 ft-H<sub>2</sub>O (4.6 m-H<sub>2</sub>O) Dry  
31 ft-H<sub>2</sub>O (9.4 m-H<sub>2</sub>O) Wet

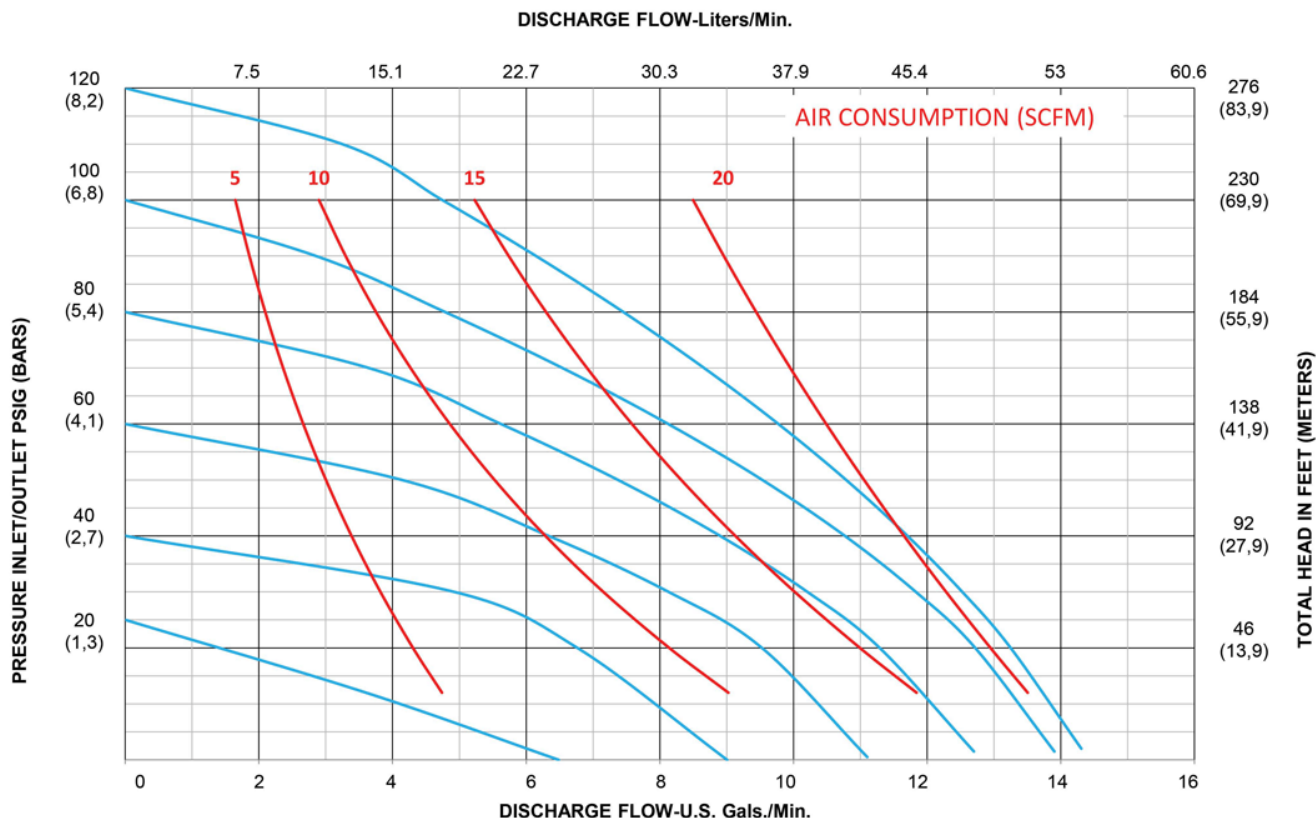
**Max Flow Rate**  
15 gpm (56.8 lpm)

**Max Pressure**  
120 psi (8.2 bar)

**Max Solids Dia.**  
1/8" (3.2 mm)

**Disp. Per Stroke**  
0.03 gal (0.04 L)

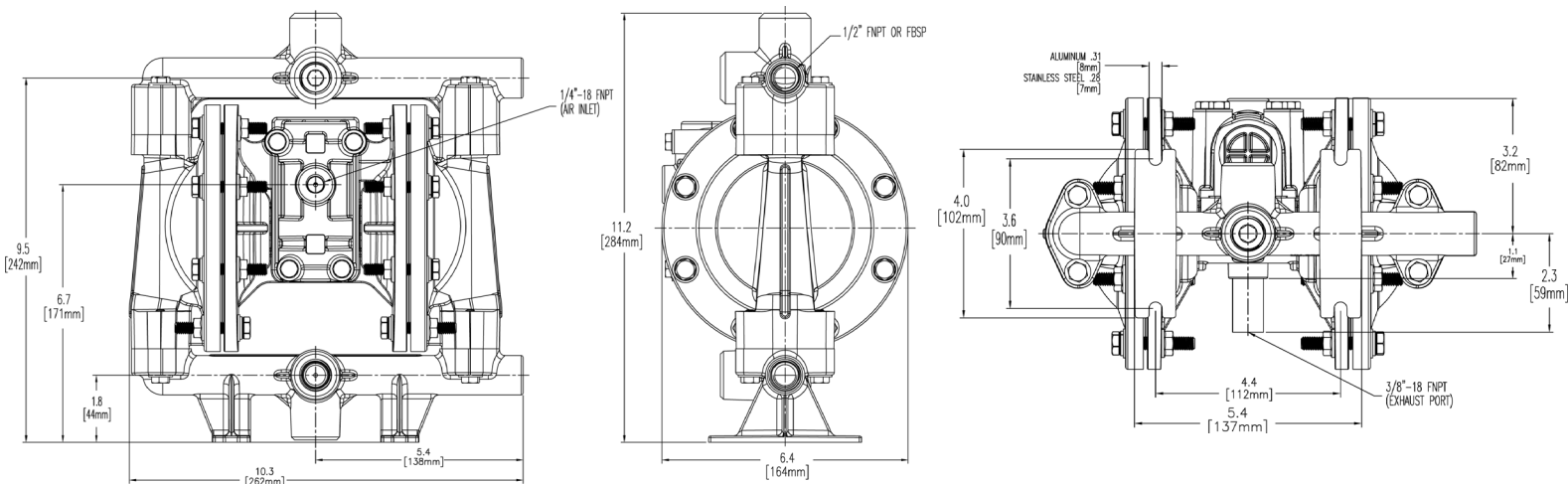
**Weight**  
Alum: 10 lbs (4.5 kg)  
SS: 20 lbs (9.1 kg)



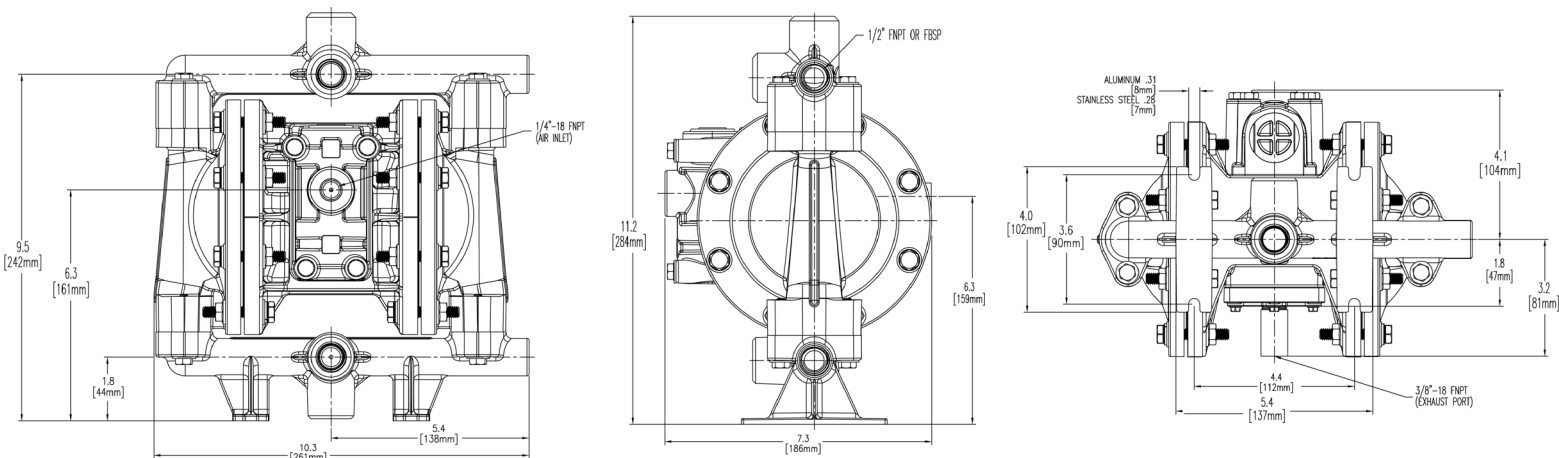
# SPECIFICATIONS SHEET

## A050 – 1/2 in. METAL PUMP

### Aluminum Center Section



### Polypropylene Center Section



### Popular Models

<b>A050-NAA-GGPN-S30</b>	NPT, Bunalast™ Diaphragm, Bunalast™ Ball, Polypropylene Seat, Buna-N O-Ring, Zinc Plated Hardware
<b>A050-NAA-SSPE-S30</b>	NPT, Santoprene® Diaphragm, Santoprene® Ball, Polypropylene Seat, EPDM O-Ring, Zinc Plated Hardware
<b>A050-NAA-TTYT-S30*</b>	NPT, PTFE Diaphragm, PTFE Ball, Polypropylene Seat, FKM O-Ring, Zinc Plated Hardware
<b>A050-NA3-SS3E-S70</b>	NPT, Santoprene® Diaphragm, Santoprene® Ball, PVDF Seat, EPDM O-Ring, Stainless Steel Hardware
<b>A050-NA3-TT3T-S70*</b>	NPT, PTFE Diaphragm, PTFE Ball, PVDF Seat, PTFE O-Ring, Stainless Steel Hardware

\*Pump model is part of the Ready2Ship Program



PSG  
All-Flo  
22069 Van Buren Street  
Grand Terrace, CA 92313, USA

P: +1 (440) 354-1700  
F: +1 (440) 354-9466

all-flo.com

