

SPECIFICATIONS SHEET

A025 – 1/4 in. PLASTIC PUMP



Air Inlet
1/4" FNPT

Liquid Inlet
1/4"

Liquid Discharge
1/4"

Connection Type
FNPT/FBSPT (Threaded)

Max Suction Lift Capability
14 ft-H₂O (4.2 m-H₂O) Dry
28 ft-H₂O (8.5 m-H₂O) Wet

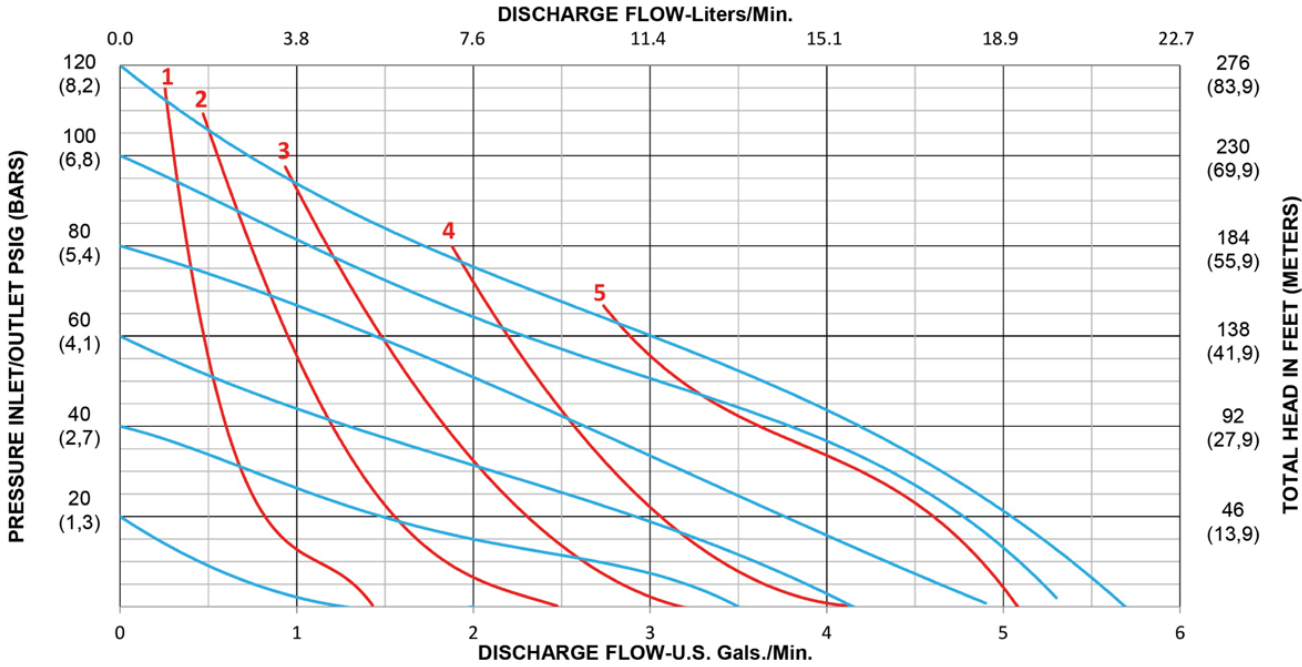
Max Flow Rate
5.7 gpm (21.6 lpm)

Max Pressure
120 psi (8.2 bar)

Max Solids Dia.
1/16" (1.6 mm)

Disp. Per Stroke
0.01 gal (0.04 L)

Weight
Poly: 2.6 lbs (1.2 kg)
PVDF: 3.8 lbs (1.7 kg)



PSG
All-Flo
22069 Van Buren Street
Grand Terrace, CA 92313, USA

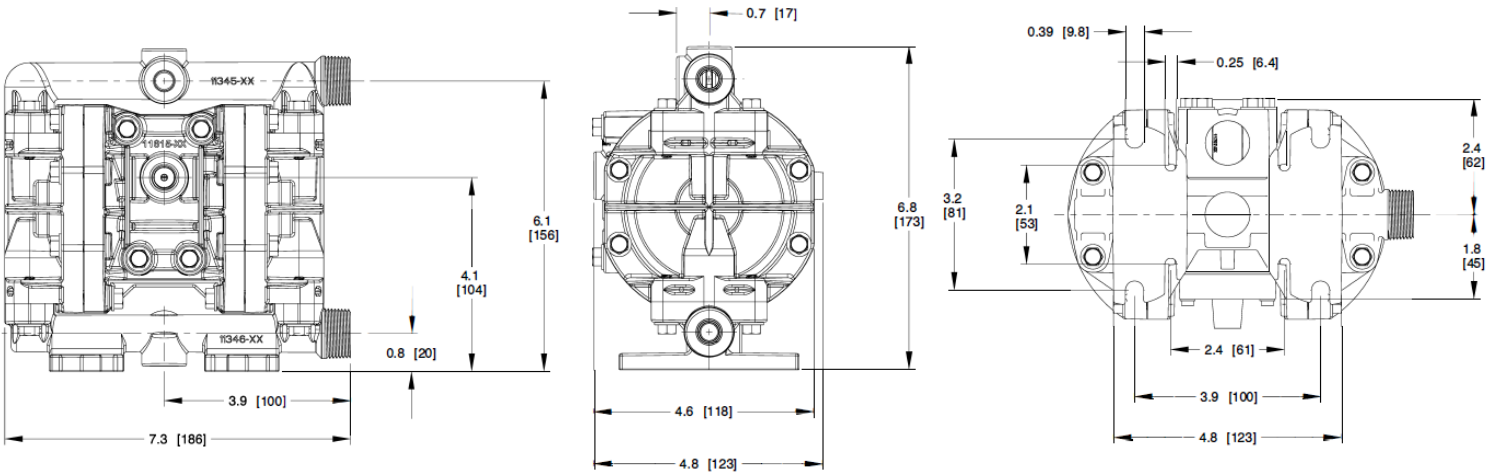
P: +1 (440) 354-1700
F: +1 (440) 354-9466

all-flo.com



SPECIFICATIONS SHEET

A025 – 1/4 in. PLASTIC PUMP



Construction

Wet End:	Polypropylene, PVDF, Conductive Polypropylene, Conductive PVDF
Air End:	Polypropylene
Diaphragms:	Bunast™, PTFE, Santoprene®
Balls:	Bunast™, PTFE, Santoprene®
Seats:	Polypropylene, PVDF
O-Rings:	Buna-N, EPDM, PTFE, FKM
Hardware:	PTFE Coated Stainless Steel, Stainless Steel
Muffler:	Plastic

Popular Models

A025-SPP-GGPN-S70	NPT(BSP), Bunast™ Diaphragm, Bunast™ Ball, Polypropylene Seat, Buna-N O-Ring, Stainless Steel Hardware
A025-SPP-SSPE-S70*	NPT(BSP), Santoprene® Diaphragm, Santoprene® Ball, Polypropylene Seat, EPDM O-Ring, Stainless Steel Hardware
A025-SPP-TTPV-S70*	NPT(BSP), PTFE Diaphragm, PTFE Ball, Polypropylene Seat, FKM O-Ring, Stainless Steel Hardware
A025-SPK-SSKE-S70	NPT(BSP), Santoprene® Diaphragm, Santoprene® Ball, PVDF Seat, EPDM O-Ring, Stainless Steel Hardware
A025-SPK-TTKT-S70	NPT(BSP), PTFE Diaphragm, PTFE Ball, PVDF Seat, PTFE O-Ring, Stainless Steel Hardware

*Pump model is part of the Ready2Ship Program

