

PARTS LIST

PUMPS

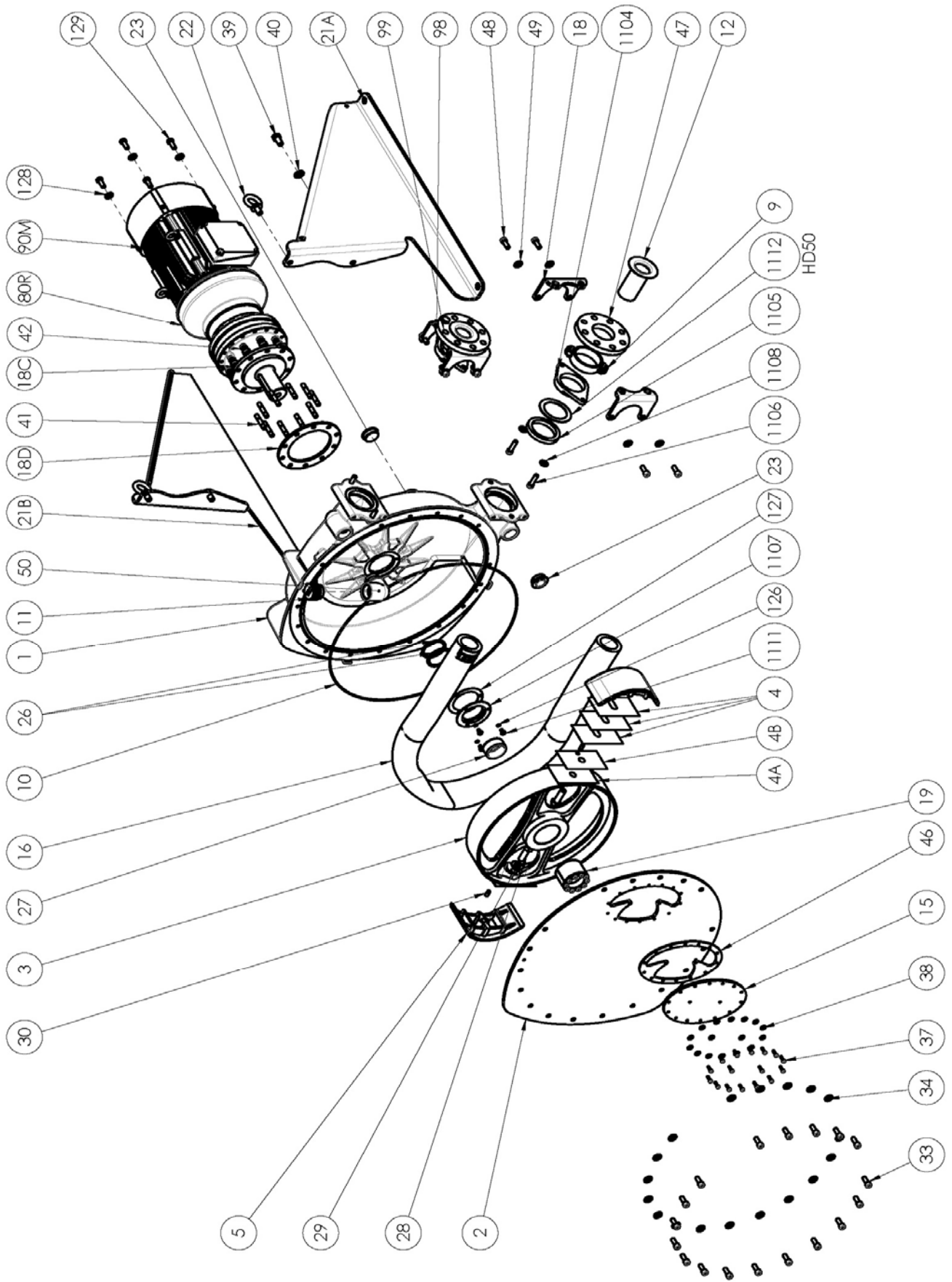
HD50 - HD65 - HDX65 - HDX80 - HD80 - HD100

Keep this parts lists with Installation, Operation and Maintenance Instructions.

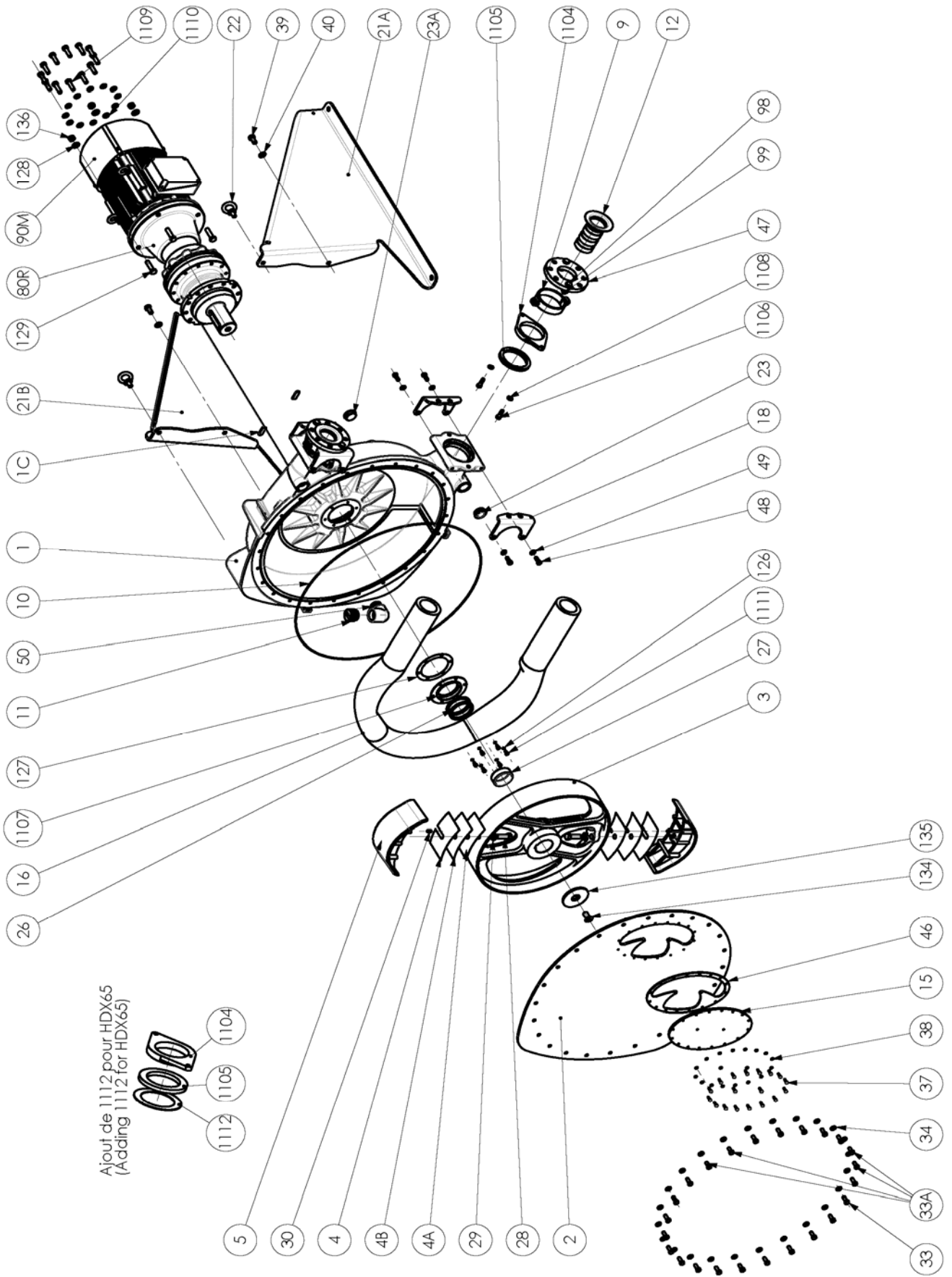
To order the required spare parts, indicate the desired Reference(s).

- ◆ Sets of parts or parts available to order.

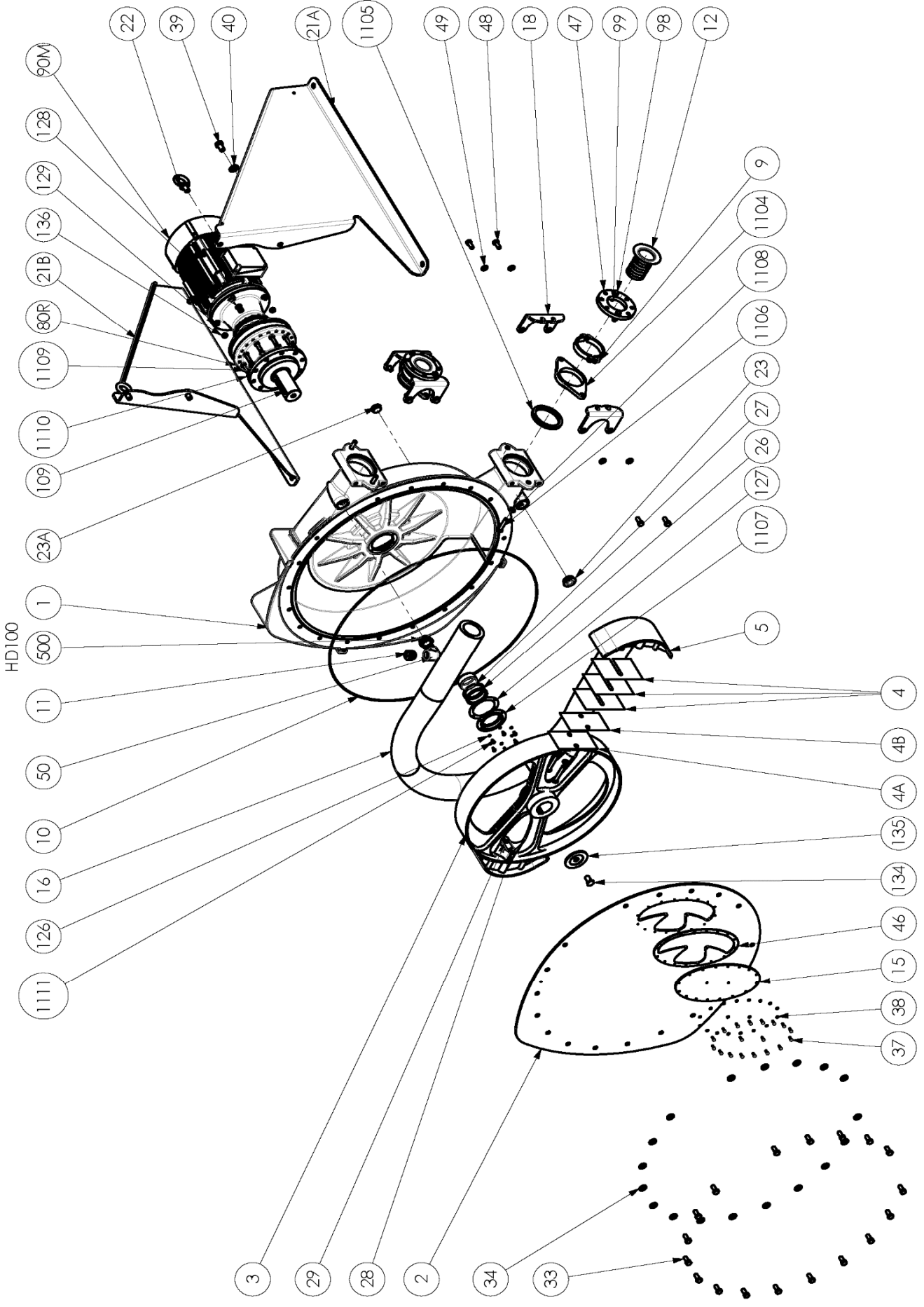
HD50 - HD65



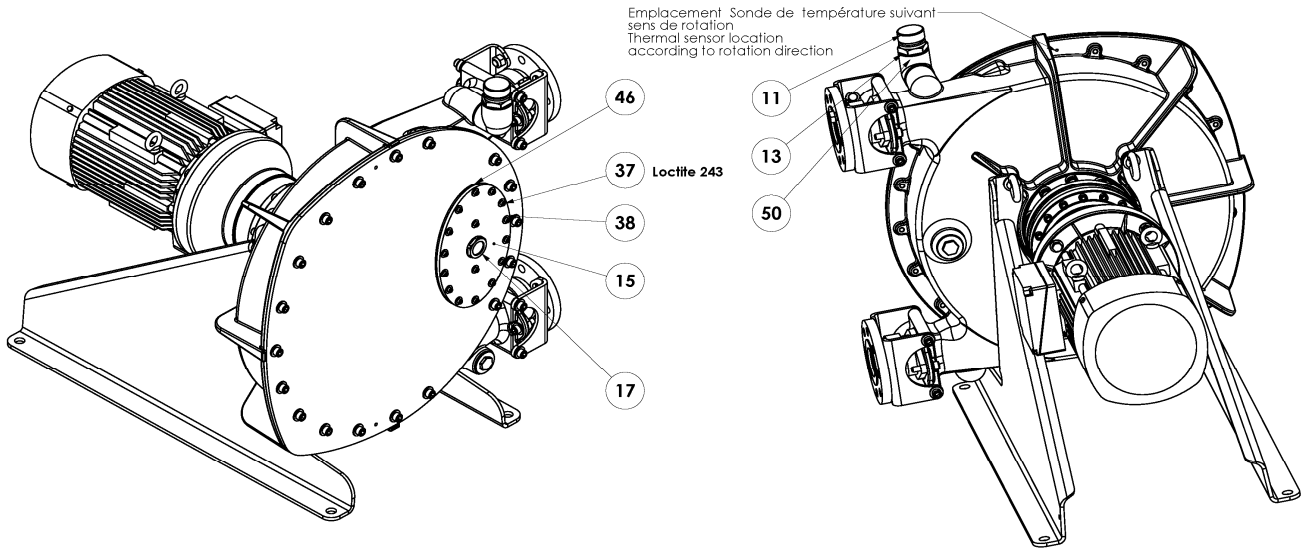
HDX65 - HDX80



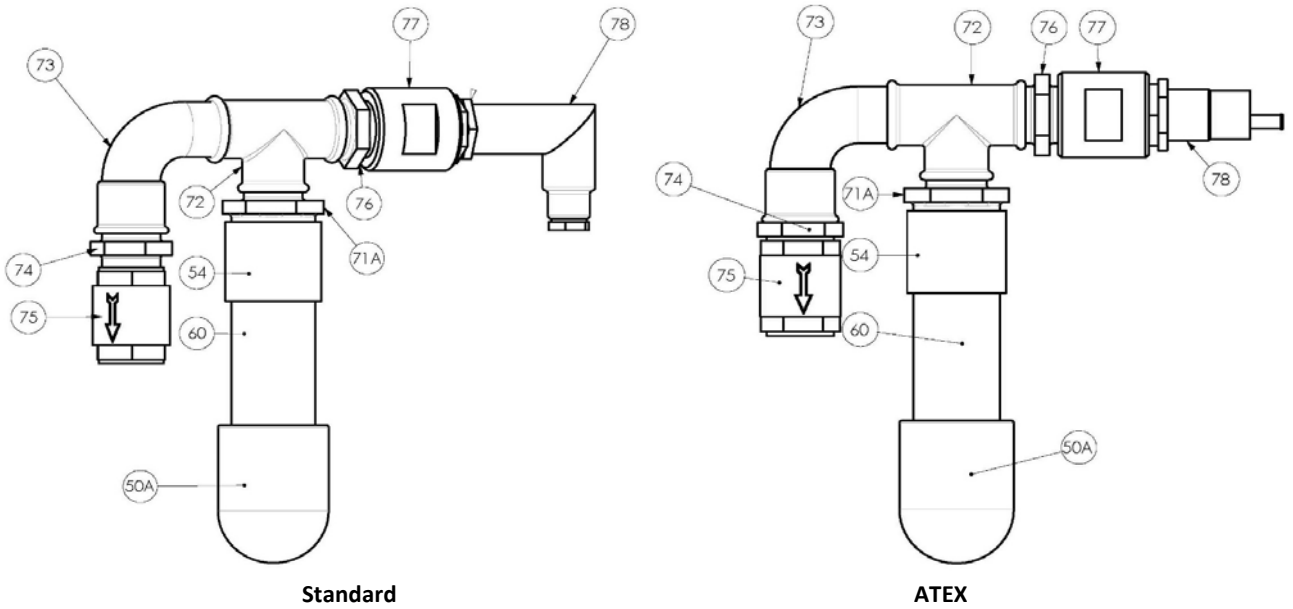
HD80 - HD100



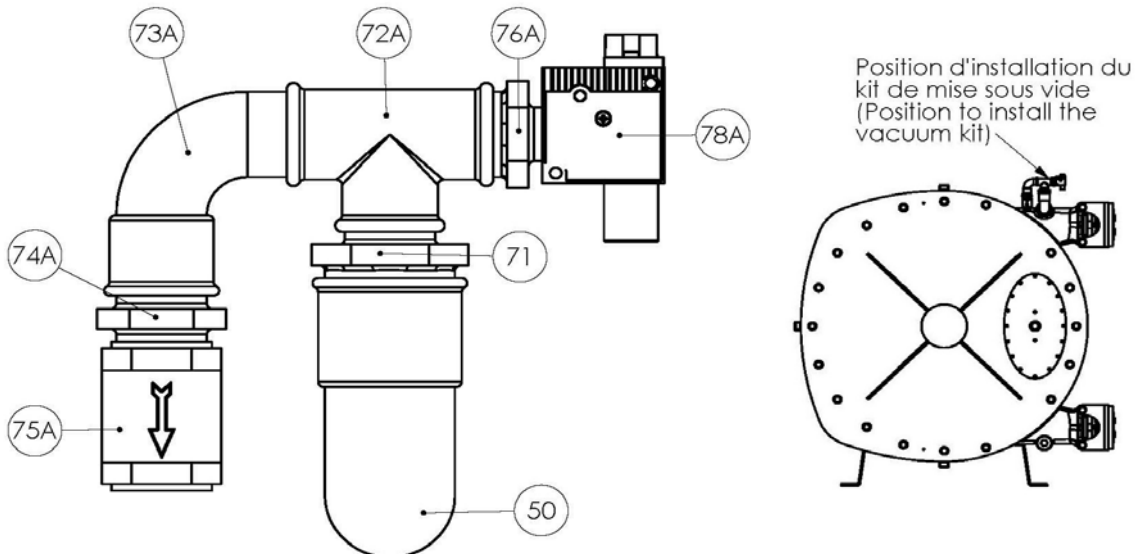
ATEX



PUNCTURE DETECTION KIT



EJECTOR VACUUM KIT



HD50

* 1, 2, 4... : Quantity in equipment - (1), (2), (4)... : Quantity in kit

Item	Available	Description	Qty*	Ref.	Maintenance kit	Wear part
2	◆	COVER HD50 HD65	1	AUX230793		
3	◆	WHEEL HD50 HD65	1	AUX243043		
9	◆	HOSE CLAMP	2	AUX217087		
10	◆	COVER SEAL A50 A65 HD50 HD65 FKM	1	AUX220117		●
12	◆	INSERT HD50 STAINLESS STEEL	2	AUX217316		
12	◆	INSERT HD50 PPH	2	AUX217317		
12	◆	INSERT HD50 PVDF	2	AUX217318		
16	◆	HOSE A50 HD50 EPDM	1	AUX218735	■	●
16	◆	HOSE HD50 HYPALON	1	AUX231553	■	●
16	◆	HOSE A50 HD50 NBR	1	AUX218734	■	●
16	◆	HOSE A50 HD50 NBR-FDA	1	AUX229483	■	●
16	◆	HOSE A50 HD50 NR	1	AUX218733	■	●
16	◆	HOSE A50 HD50 NR FDA 1935_2004	1	AUX237401	■	●
16	◆	HOSE HD50 EPDM (ATEX)	1	AUX234478	■	●
16	◆	HOSE HD50 NR (ATEX)	1	AUX234479	■	●
18	◆	BRACKET HD50	4	AUX230942		
19	◆	EXPANSABLE TAPER LOCK	1	AUX231090		
26	◆	SHAFT SEAL	2	AUX231715		
27	◆	SEAL RING (CLOSE COUPLING BORE 60)	1	AUX219061		
59	◆	KIT WINDOW ATEX HD50_HD65	1	AUX317898		
59	◆	KIT WINDOW HD50_HD65	1	AUX317897		
15		WINDOW HD50 HD65	(1)			
17		OIL LEVEL INDICATOR (ATEX)	(1)			
37		SCREW	(16)			
38		SEAL WASHER	(16)			
46	◆	WINDOW SEAL HD50-65	1	AUX230957		
114	◆	SET OF SHIMS	1	AUX312360		
4		REMOVABLE SHIM	(12)			
119	◆	SET OF IRON SHOES HD50	1	AUX317161		
4A		FIXED SHIM	(3)			
4B		FIXED SHIM	(3)			
5		SHOE HD50	(2)			
30		PIN	(2)			
127	◆	SEAL	1	AUX231207		●
130	◆	PUNCTURE DETECTION KIT ATEX HD50 HD65	1	AUX318574		
130	◆	PUNCTURE DETECTION KIT HD50 HD65	1	AUX318573		
50A		ELBOW	(1)			
54		NIPPLE	(1)			
60		NIPPLE	(1)			
71A		NIPPLE	(1)			
72		T JUNCTION	(1)			
73		ELBOW 90°	(1)			
74		NIPPLE	(1)			
75		VALVE	(1)			
76		NIPPLE	(1)			
77		SLEEVE	(1)			
78		CAPACITIVE DETECTOR	(1)			
84		AMPLIFIER (WITH ATEX KIT)	(1)			
131	◆	EJECTOR VACUUM KIT FOR HD50 HD65 PUMPS	1	AUX317168		
71		NIPPLE	(1)			
72A		T JUNCTION	(1)			
73A		ELBOW 90°	(1)			
74A		NIPPLE	(1)			
75A		VALVE	(1)			
76A		NIPPLE	(1)			
78A	◆	EJECTOR	1	AUX217749		

HD50

* 1, 2, 4... : Quantity in equipment - (1), (2), (4)... : Quantity in kit

Item	Available	Description	Qty*	Ref.	Maintenance kit	Wear part
211	◆	KIT CONNECTOR ATEX HD50 TO HD80	1	AUX317824		
211	◆	KIT CONNECTOR HD50 TO HD80	1	AUX317160		
11		PLUG	(1)			
13		SEAL (WITH ATEX KIT)	(1)			
50		ELBOW	(1)			
1100F	◆	LUBRICANT - GLYCERIN (CAN 10L)	1	AUX314223	■	●
1100L	◆	LUBRICANT - GLYCERIN (CAN 2,5L)	1	AUX314829		●
1100F	◆	LUBRICANT - FOOD GRADE GLYCERIN (CAN 10L)	1	AUX318795	■	●
1100M	◆	LUBRICANT - FOOD GRADE GLYCERIN (CAN 5L)	1	AUX318794		●
1105A	◆	PRESSING GLAND SEALS KIT FOR HD50	1	AUX317726	■	
1105		PRESSING GLAND SEAL FOR HD50	(2)			
1112		WASHER	(2)			

HD65

* 1, 2, 4... : Quantity in equipment - (1), (2), (4)... : Quantity in kit

Item	Available	Description	Qty*	Ref.	Maintenance kit	Wear part
2	◆	COVER HD50 HD65	1	AUX230793		
3	◆	WHEEL HD50 HD65	1	AUX243043		
9	◆	HOSE CLAMP	2	AUX217087		
10	◆	COVER SEAL A50 A65 HD50 HD65 FKM	1	AUX220117		●
12	◆	INSERT A65 HD65 STAINLESS STEEL	2	AUX217319		
12	◆	INSERT A65 HD65 PPH	2	AUX217320		
12	◆	INSERT A65 HD65 PVDF	2	AUX217321		
16	◆	HOSE A65 HD65 EPDM	1	AUX218738	■	●
16	◆	HOSE HD65 HYPALON	1	AUX231554	■	●
16	◆	HOSE A65 HD65 NBR	1	AUX218737	■	●
16	◆	HOSE A65 HD65 NBR-FDA	1	AUX229155	■	●
16	◆	HOSE A65 HD65 NR	1	AUX218736	■	●
16	◆	HOSE A65 HD65 NR FDA 1935_2004	1	AUX237402	■	●
16	◆	HOSE HD65 EPDM (ATEX)	1	AUX234476	■	●
16	◆	HOSE HD65 NR (ATEX)	1	AUX234477	■	●
18	◆	BRACKET HD65	4	AUX230794		
19	◆	EXPANSABLE TAPER LOCK	1	AUX231090		
26	◆	SHAFT SEAL	2	AUX231715		
27	◆	SEAL RING (CLOSE COUPLING BORE 60)	1	AUX219061		
59	◆	KIT WINDOW ATEX HD50_HD65	1	AUX317898		
59	◆	KIT WINDOW HD50_HD65	1	AUX317897		
15		WINDOW HD50 HD65	(1)			
17		OIL LEVEL INDICATOR (ATEX)	(1)			
37		SCREW	(16)			
38		SEAL WASHER	(16)			
46	◆	WINDOW SEAL HD50-65	1	AUX230957		
114	◆	SET OF SHIMS	1	AUX312360		
4		REMOVABLE SHIM	(12)			
119	◆	SET OF IRON SHOES A65 HD65	1	AUX317164		
4A		FIXED SHIM	(4)			
4B		FIXED SHIM	(4)			
5		SHOE HD65	(2)			
30		PIN	(2)			
127	◆	SEAL	1	AUX231207		●
130	◆	PUNCTURE DETECTION KIT ATEX HD50 HD65	1	AUX318574		
130	◆	PUNCTURE DETECTION KIT HD50 HD65	1	AUX318573		
50A		ELBOW	(1)			
54		NIPPLE	(1)			
60		NIPPLE	(1)			
71A		NIPPLE	(1)			
72		T JUNCTION	(1)			
73		ELBOW 90°	(1)			
74		NIPPLE	(1)			
75		VALVE	(1)			
76		NIPPLE	(1)			
77		SLEEVE	(1)			
78		CAPACITIVE DETECTOR	(1)			
84		AMPLIFIER (WITH ATEX KIT)	(1)			
131	◆	EJECTOR VACUUM KIT FOR HD50 HD65 PUMPS	1	AUX317168		
71		NIPPLE	(1)			
72A		T JUNCTION	(1)			
73A		ELBOW 90°	(1)			
74A		NIPPLE	(1)			
75A		VALVE	(1)			
76A		NIPPLE	(1)			
78A	◆	EJECTOR	1	AUX217749		

HD65

* 1, 2, 4... : Quantity in equipment - (1), (2), (4)... : Quantity in kit

Item	Available	Description	Qty*	Ref.	Maintenance kit	Wear part
211	◆	KIT CONNECTOR ATEX HD50 TO HD80	1	AUX317824		
211	◆	KIT CONNECTOR HD50 TO HD80	1	AUX317160		
11		PLUG	(1)			
13		SEAL (WITH ATEX KIT)	(1)			
50		ELBOW	(1)			
1100F	◆	LUBRICANT - GLYCERIN (CAN 10L)	1	AUX314223	■	●
1100L	◆	LUBRICANT - GLYCERIN (CAN 2,5L)	1	AUX314829		●
1100F	◆	LUBRICANT - FOOD GRADE GLYCERIN (CAN 10L)	1	AUX318795	■	●
1100M	◆	LUBRICANT - FOOD GRADE GLYCERIN (CAN 5L)	1	AUX318794		●
1105A	◆	PRESSING GLAND SEALS KIT FOR HD65	1	AUX317727	■	
1105		PRESSING GLAND SEAL FOR HD65	(2)			

HDX65

* 1, 2, 4... : Quantity in equipment - (1), (2), (4)... : Quantity in kit

Item	Available	Description	Qty*	Ref.	Maintenance kit	Wear part
2	◆	COVER HDX65 HDX80	1	AUX230935		
3	◆	WHEEL HDX65 HDX80	1	AUX243045		
9	◆	HOSE CLAMP	2	AUX217088		
10	◆	COVER SEAL AX80 HDX65 HDX80 FKM	1	AUX220202		●
12	◆	INSERT HDX65 PPH	2	AUX217323		
12	◆	INSERT HDX65 PVDF	2	AUX217324		
12	◆	INSERT HDX65 STAINLESS STEEL	2	AUX232971		
16	◆	HOSE AX65 HDX65 EPDM	1	AUX218741	■	●
16	◆	HOSE HDX65 HYPALON	1	AUX234128	■	●
16	◆	HOSE AX65 HDX65 NBR	1	AUX218740	■	●
16	◆	HOSE AX65 HDX65 NBR-FDA	1	AUX229484	■	●
16	◆	HOSE AX65 HDX65 NR	1	AUX218739	■	●
16	◆	HOSE AX65 HDX65 NR FDA 1935_2004	1	AUX237403	■	●
16	◆	HOSE HDX65 EPDM (ATEX)	1	AUX234472	■	●
16	◆	HOSE HDX65 NR (ATEX)	1	AUX234473	■	●
18	◆	BRACKET HDX65	4	AUX232972		
26	◆	SHAFT SEAL	2	AUX235906		
27	◆	SEAL RING	1	AUX231943		
59	◆	KIT WINDOW HDX65_HDX80	1	AUX317828		
59	◆	KIT WINDOW ATEX HDX65_HDX80	1	AUX317825		
15		WINDOW HDX65 HDX80	(1)			
17		OIL LEVEL INDICATOR (ATEX)	(1)			
37		SCREW	(18)			
38		SEAL WASHER	(18)			
46	◆	WINDOW SEAL HDX65-HDX80	1	AUX230959		
114	◆	SET OF SHIMS	1	AUX312361		
4		REMOVABLE SHIM	(12)			
119	◆	SET OF IRON SHOES HDX65 HDX80	1	AUX317561		
4A		FIXED SHIM	(6)			
4B		FIXED SHIM	(4)			
5		SHOE HDX65 HDX80	(2)			
30		PIN	(2)			
127	◆	SEAL	1	AUX231697		●
130	◆	PUNCTURE DETECTION KIT ATEX HDX65 TO HD100	1	AUX317166		
130	◆	PUNCTURE DETECTION KIT HDX65 TO HD100	1	AUX317165		
50A		ELBOW	(1)			
54		NIPPLE	(1)			
60		NIPPLE	(1)			
71A		NIPPLE	(1)			
72		T JUNCTION	(1)			
73		ELBOW 90°	(1)			
74		NIPPLE	(1)			
75		VALVE	(1)			
76		NIPPLE	(1)			
77		SLEEVE	(1)			
78		CAPACITIVE DETECTOR	(1)			
84		AMPLIFIER (WITH ATEX KIT)	(1)			

HDX65

* 1, 2, 4... : Quantity in equipment - (1), (2), (4)... : Quantity in kit

Item	Available	Description	Qty*	Ref.	Maintenance kit	Wear part
133	◆	EJECTOR VACUUM KIT_COVER_KIT WINDOW HDX65 HDX80	1	AUX318949		
2A		COVER HDX65 HDX80	(1)			
59A		KIT WINDOW ATEX HDX65_ HDX80	(1)			
15		WINDOW HDX65 HDX80	(1)			
17		OIL LEVEL INDICATOR (ATEX)	(1)			
37		SCREW	(18)			
38		SEAL	(18)			
46	◆	WINDOW SEAL HDX65-HDX80	1	AUX230959		
131A		EJECTOR VACUUM KIT FOR HD50 HD65 PUMPS	(1)			
71		NIPPLE	(1)			
72A		T JUNCTION	(1)			
73A		ELBOW 90°	(1)			
74A		NIPPLE	(1)			
75A		VALVE	(1)			
76A		NIPPLE	(1)			
78A	◆	EJECTOR	1	AUX217749		
211	◆	KIT CONNECTOR ATEX HD50 TO HD80	1	AUX317824		
211	◆	KIT CONNECTOR HD50 TO HD80	1	AUX317160		
11		PLUG	(1)			
13		SEAL (WITH ATEX KIT)	(1)			
50		ELBOW	(1)			
1100F	◆	LUBRICANT - GLYCERIN (CAN 10L)	2	AUX314223	■	●
1100M	◆	LUBRICANT - GLYCERIN (CAN 5L)	1	AUX314222		●
1100F	◆	LUBRICANT - FOOD GRADE GLYCERIN (CAN 10L)	2	AUX318795	■	●
1100M	◆	LUBRICANT - FOOD GRADE GLYCERIN (CAN 5L)	1	AUX318794		●
1105A	◆	PRESSING GLAND SEALS KIT FOR HDX65	1	AUX318619	■	
1105		PRESSING GLAND SEAL FOR HDX65	(2)			
1112		WASHER	(2)			

HDX80

* 1, 2, 4... : Quantity in equipment - (1), (2), (4)... : Quantity in kit

Item	Available	Description	Qty*	Ref.	Maintenance kit	Wear part
2	◆	COVER HDX65 HDX80	1	AUX230935		
3	◆	WHEEL HDX65 HDX80	1	AUX243045		
9	◆	HOSE CLAMP	2	AUX217088		
10	◆	COVER SEAL AX80 HDX65 HDX80 FKM	1	AUX220202		●
12	◆	INSERT A80 STAINLESS STEEL	2	AUX217328		
12	◆	INSERT A80 HD80 PPH	2	AUX217329		
12	◆	INSERT A80 HD80 PVDF	2	AUX217330		
16	◆	HOSE AX80 HDX80 EPDM	1	AUX218744	■	●
16	◆	HOSE HDX80 HYPALON	1	AUX234127	■	●
16	◆	HOSE AX80 HDX80 NBR	1	AUX218743	■	●
16	◆	HOSE AX80 HDX80 NBR-FDA	1	AUX229479	■	●
16	◆	HOSE AX80 HDX80 NR	1	AUX218742	■	●
16	◆	HOSE AX80 HDX80 NR FDA 1935_2004	1	AUX237404	■	●
16	◆	HOSE HDX80 EPDM (ATEX)	1	AUX234493	■	●
16	◆	HOSE HDX80 NR (ATEX)	1	AUX234469	■	●
18	◆	BRACKET HDX80 ANSI	4	AUX232898		
18	◆	BRACKET HDX80 ISO	4	AUX230944		
26	◆	SHAFT SEAL	2	AUX235906		
27	◆	SEAL RING	1	AUX231943		
59	◆	KIT WINDOW HDX65_HDX80	1	AUX317828		
59	◆	KIT WINDOW ATEX HDX65_HDX80	1	AUX317825		
15		WINDOW HDX65 HDX80	(1)			
17		OIL LEVEL INDICATOR (ATEX)	(1)			
37		SCREW	(18)			
38		SEAL WASHER	(18)			
46	◆	WINDOW SEAL HDX65-HDX80	1	AUX230959		
114	◆	SET OF SHIMS	1	AUX312361		
4		REMOVABLE SHIM	(12)			
119	◆	SET OF IRON SHOES HDX65 HDX80	1	AUX317561		
4A		FIXED SHIM	(6)			
4B		FIXED SHIM	(4)			
5		SHOE HDX65 HDX80	(2)			
30		PIN	(2)			
127	◆	SEAL	1	AUX231697		●
130	◆	PUNCTURE DETECTION KIT ATEX HDX65 TO HD100	1	AUX317166		
130	◆	PUNCTURE DETECTION KIT HDX65 TO HD100	1	AUX317165		
50A		ELBOW	(1)			
54		NIPPLE	(1)			
60		NIPPLE	(1)			
71A		NIPPLE	(1)			
72		T JUNCTION	(1)			
73		ELBOW 90°	(1)			
74		NIPPLE	(1)			
75		VALVE	(1)			
76		NIPPLE	(1)			
77		SLEEVE	(1)			
78		CAPACITIVE DETECTOR	(1)			
84		AMPLIFIER (WITH ATEX KIT)	(1)			

HDX80

* 1, 2, 4... : Quantity in equipment - (1), (2), (4)... : Quantity in kit

Item	Available	Description	Qty*	Ref.	Maintenance kit	Wear part
133	◆	EJECTOR VACUUM KIT_COVER_KIT WINDOW HDX65 HDX80	1	AUX318949		
2A		COVER HDX65 HDX80	(1)			
59A		KIT WINDOW ATEX HDX65_ HDX80	(1)			
15		WINDOW HDX65 HDX80	(1)			
17		OIL LEVEL INDICATOR (ATEX)	(1)			
37		SCREW	(18)			
38		SEAL	(18)			
46	◆	WINDOW SEAL HDX65-HDX80	1	AUX230959		
131A		EJECTOR VACUUM KIT FOR HD50 HD65 PUMPS	(1)			
71		NIPPLE	(1)			
72A		T JUNCTION	(1)			
73A		ELBOW 90°	(1)			
74A		NIPPLE	(1)			
75A		VALVE	(1)			
76A		NIPPLE	(1)			
78A	◆	EJECTOR	1	AUX217749		
211	◆	KIT CONNECTOR ATEX HD50 TO HD80	1	AUX317824		
211	◆	KIT CONNECTOR HD50 TO HD80	1	AUX317160		
11		PLUG	(1)			
13		SEAL (WITH ATEX KIT)	(1)			
50		ELBOW	(1)			
1100F	◆	LUBRICANT - GLYCERIN (CAN 10L)	2	AUX314223	■	●
1100M	◆	LUBRICANT - GLYCERIN (CAN 5L)	1	AUX314222		●
1100F	◆	LUBRICANT - FOOD GRADE GLYCERIN (CAN 10L)	2	AUX318795	■	●
1100M	◆	LUBRICANT - FOOD GRADE GLYCERIN (CAN 5L)	1	AUX318794		●
1105A	◆	PRESSING GLAND SEALS KIT FOR HDX80	1	AUX318620	■	
1105		PRESSING GLAND SEAL FOR HDX80	(2)			

HD80

* 1, 2, 4... : Quantity in equipment - (1), (2), (4)... : Quantity in kit

Item	Available	Description	Qty*	Ref.	Maintenance kit	Wear part
2	◆	COVER HD80	1	AUX230934		
3	◆	WHEEL HD80	1	AUX243047		
9	◆	HOSE CLAMP	2	AUX217772		
10	◆	COVER SEAL A80 HD80 FKM	1	AUX220203		●
12	◆	INSERT A80 HD80 PPH	2	AUX217329		
12	◆	INSERT A80 HD80 PVDF	2	AUX217330		
12	◆	INSERT HD80 STAINLESS STEEL	2	AUX234018		
16	◆	HOSE A80 HD80 EPDM	1	AUX218747	■	●
16	◆	HOSE HD80 HYPALON	1	AUX232128	■	●
16	◆	HOSE A80 HD80 NBR	1	AUX218746	■	●
16	◆	HOSE A80 HD80 NBR-FDA	1	AUX229478	■	●
16	◆	HOSE A80 HD80 NR	1	AUX218745	■	●
16	◆	HOSE A80 HD80 NR FDA 1935_2004	1	AUX237405	■	●
16	◆	HOSE HD80 EPDM (ATEX)	1	AUX234471	■	●
16	◆	HOSE HD80 NR (ATEX)	1	AUX234470	■	●
18	◆	BRACKET HD80 ANSI	4	AUX232297		
18	◆	BRACKET HD80 ISO	4	AUX230943		
26	◆	SHAFT SEAL	2	AUX235907		
27	◆	SEAL RING (CLOSE COUPLING BORE 90)	1	AUX219062		
59	◆	KIT WINDOW HD80	1	AUX317915		
59	◆	KIT WINDOW ATEX HD80	1	AUX317916		
15		WINDOW HD80	(1)			
17		OIL LEVEL INDICATOR (ATEX)	(1)			
37		SCREW	(18)			
38		SEAL WASHER	(18)			
46	◆	WINDOW SEAL HD80	1	AUX230958		
114	◆	SET OF SHIMS	1	AUX312362		
4		REMOVABLE SHIM	(14)			
119	◆	SET OF IRON SHOES A80 HD80	1	AUX317565		
4A		FIXED SHIM	(6)			
4B		FIXED SHIM	(4)			
5		SHOE HD80	(2)			
127	◆	SEAL	1	AUX231697		●
130	◆	PUNCTURE DETECTION KIT ATEX HDX65 TO HD100	1	AUX317166		
130	◆	PUNCTURE DETECTION KIT HDX65 TO HD100	1	AUX317165		
50A		ELBOW	(1)			
54		NIPPLE	(1)			
60		NIPPLE	(1)			
71A		NIPPLE	(1)			
72		T JUNCTION	(1)			
73		ELBOW 90°	(1)			
74		NIPPLE	(1)			
75		VALVE	(1)			
76		NIPPLE	(1)			
77		SLEEVE	(1)			
78		CAPACITIVE DETECTOR	(1)			
84		AMPLIFIER (WITH ATEX KIT)	(1)			

HD80

* 1, 2, 4... : Quantity in equipment - (1), (2), (4)... : Quantity in kit

Item	Available	Description	Qty*	Ref.	Maintenance kit	Wear part
133	◆	EJECTOR VACUUM KIT_COVER_KIT WINDOW HD80	1	AUX318937		
2A		COVER HD80	(1)			
59A		KIT WINDOW ATEX HD80	(1)			
15		WINDOW HD80	(1)			
17		OIL LEVEL INDICATOR (ATEX)	(1)			
37		SCREW	(18)			
38		SEAL	(18)			
46	◆	WINDOW SEAL HD80	1	AUX230958		
131A		EJECTOR VACUUM KIT FOR HD50 HD65 PUMPS	(1)			
71		NIPPLE	(1)			
72A		T JUNCTION	(1)			
73A		ELBOW 90°	(1)			
74A		NIPPLE	(1)			
75A		VALVE	(1)			
76A		NIPPLE	(1)			
78A	◆	EJECTOR	1	AUX217749		
211	◆	KIT CONNECTOR ATEX HD50 TO HD80	1	AUX317824		
211	◆	KIT CONNECTOR HD50 TO HD80	1	AUX317160		
11		PLUG	(1)			
13		SEAL (WITH ATEX KIT)	(1)			
50		ELBOW	(1)			
1100F	◆	LUBRICANT - GLYCERIN (CAN 10L)	1	AUX314223	■	●
1100G	◆	LUBRICANT - GLYCERIN (CAN 30L)	1	AUX314224	■	●
1100F	◆	LUBRICANT - FOOD GRADE GLYCERIN (CAN 10L)	4	AUX318795	■	●
1105A	◆	PRESSING GLAND SEALS KIT FOR HD80	1	AUX318621	■	
1105		PRESSING GLAND SEAL FOR HD80	(2)			

HD100

* 1, 2,4... : Quantity in equipment - (1), (2), (4)... : Quantity in kit

Item	Available	Description	Qty*	Ref.	Maintenance kit	Wear part
2	◆	COVER HD100	1	AUX230936		
3	◆	WHEEL HD100	1	AUX243049		
9	◆	HOSE CLAMP	2	AUX219747		
10	◆	COVER SEAL A100 HD100 FKM	1	AUX220204		●
12	◆	INSERT A100 HD100 STAINLESS STEEL	2	AUX217331		
12	◆	INSERT A100 HD100 PPH	2	AUX217332		
12	◆	INSERT A100 HD100 PVDF	2	AUX217333		
16	◆	HOSE A100 HD100 EPDM	1	AUX218750	■	●
16	◆	HOSE HD100 HYPALON	1	AUX234126	■	●
16	◆	HOSE A100 HD100 NBR	1	AUX218749	■	●
16	◆	HOSE A100 HD100 NBR-FDA	1	AUX229480	■	●
16	◆	HOSE A100 HD100 NR	1	AUX218748	■	●
16	◆	HOSE A100 HD100 NR FDA 1935_2004	1	AUX237406	■	●
16	◆	HOSE HD100 EPDM (ATEX)	1	AUX234468	■	●
16	◆	HOSE HD100 NR (ATEX)	1	AUX234467	■	●
18	◆	BRACKET HD100	4	AUX230945		
26	◆	SHAFT SEAL	2	AUX235907		
27	◆	SEAL RING (CLOSE COUPLING BORE 90)	1	AUX219062		
59	◆	KIT WINDOW HD100	1	AUX317899		
59	◆	KIT WINDOW ATEX HD100	1	AUX317900		
15		WINDOW HD100	(1)			
17		OIL LEVEL INDICATOR (ATEX)	(1)			
37		SCREW	(18)			
38		SEAL WASHER	(18)			
46	◆	WINDOW SEAL HD100	1	AUX230960		
114	◆	SET OF SHIMS	1	AUX312363		
4		REMOVABLE SHIM	(14)			
119	◆	SET OF IRON SHOES A100 HD100	1	AUX317367		
4A		FIXED SHIM	(6)			
4B		FIXED SHIM	(4)			
5		SHOE HD100	(2)			
127	◆	SEAL	1	AUX231697		●
130	◆	PUNCTURE DETECTION KIT ATEX HDX65 TO HD100	1	AUX317166		
130	◆	PUNCTURE DETECTION KIT HDX65 TO HD100	1	AUX317165		
50A		ELBOW	(1)			
54		NIPPLE	(1)			
60		NIPPLE	(1)			
71A		NIPPLE	(1)			
72		T JUNCTION	(1)			
73		ELBOW 90°	(1)			
74		NIPPLE	(1)			
75		VALVE	(1)			
76		NIPPLE	(1)			
77		SLEEVE	(1)			
78		CAPACITIVE DETECTOR	(1)			
84		AMPLIFIER (WITH ATEX KIT)	(1)			

HD100

* 1, 2, 4... : Quantity in equipment - (1), (2), (4)... : Quantity in kit

Item	Available	Description	Qty*	Ref.	Maintenance kit	Wear part
133	◆	EJECTOR VACUUM KIT_COVER_KIT WINDOW HD100	1	AUX318948		
2A		COVER HD100	(1)			
59A		KIT WINDOW ATEX HD100	(1)			
15		WINDOW HD100	(1)			
17		OIL LEVEL INDICATOR (ATEX)	(1)			
37		SCREW	(18)			
38		SEAL	(18)			
46	◆	WINDOW SEAL HD100	1	AUX230960		
131A		EJECTOR VACUUM KIT FOR HD50 HD65 PUMPS	(1)			
71		NIPPLE	(1)			
72A		T JUNCTION	(1)			
73A		ELBOW 90°	(1)			
74A		NIPPLE	(1)			
75A		VALVE	(1)			
76A		NIPPLE	(1)			
78A	◆	EJECTOR	1	AUX217749		
211	◆	KIT CONNECTOR ATEX HD100	1	AUX318576		
211	◆	KIT CONNECTOR HD100	1	AUX318575		
11		PLUG	(1)			
13		SEAL (WITH ATEX KIT)	(1)			
50		ELBOW	(1)			
500		REDUCER	(1)			
1100G	◆	LUBRICANT - GLYCERIN (CAN 30L)	2	AUX314224	■	●
1100N	◆	LUBRICANT - GLYCERIN (CAN 10L)	1	AUX314223		●
1100N	◆	LUBRICANT - FOOD GRADE GLYCERIN (CAN 10L)	7	AUX318795	■	●
1105A	◆	PRESSING GLAND SEALS KIT FOR HD100	1	AUX318622	■	
1105		PRESSING GLAND SEAL FOR HD100	(2)			