

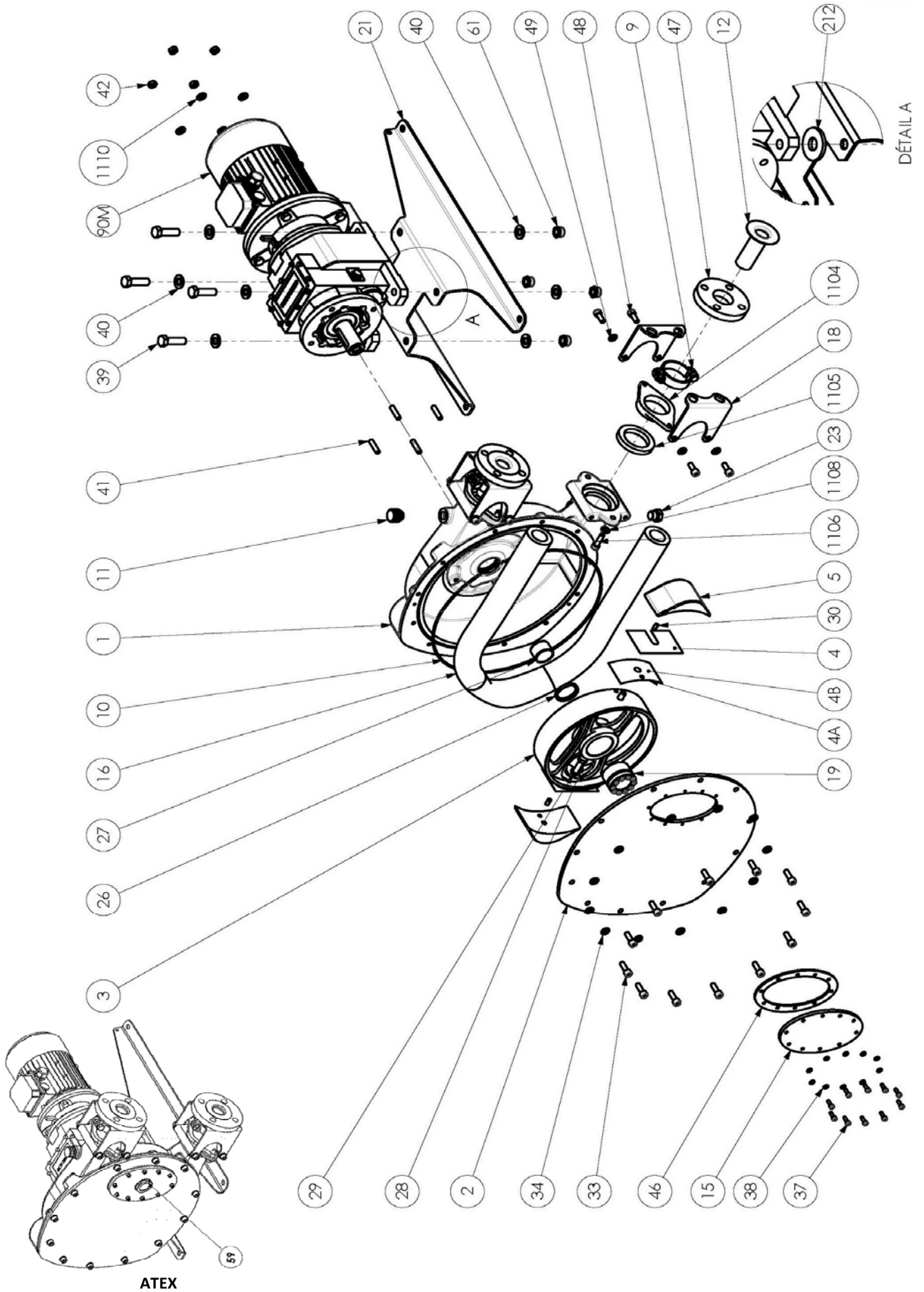
PARTS LIST
PUMPS
HD25 - HD32 - HD40 - HDX40

Keep this parts lists with Installation, Operation and Maintenance Instructions.

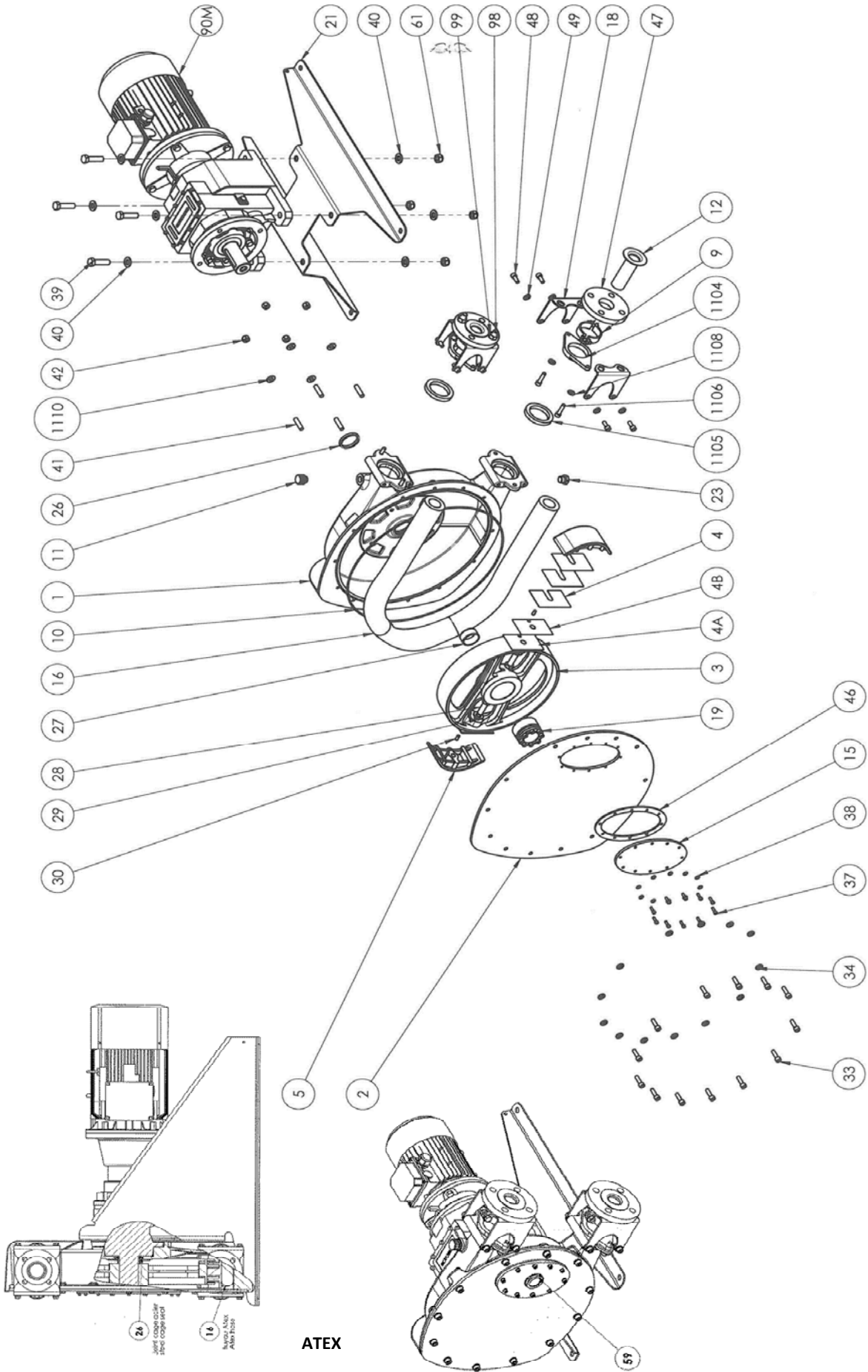
To order the required spare parts, indicate the desired Reference(s).

- ◆ Sets of parts or parts available to order.

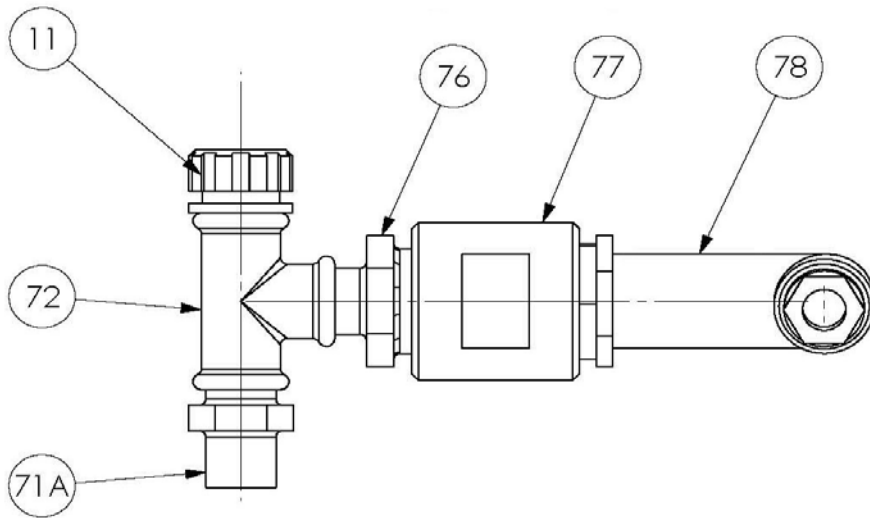
HD25 - HD32 - HD40



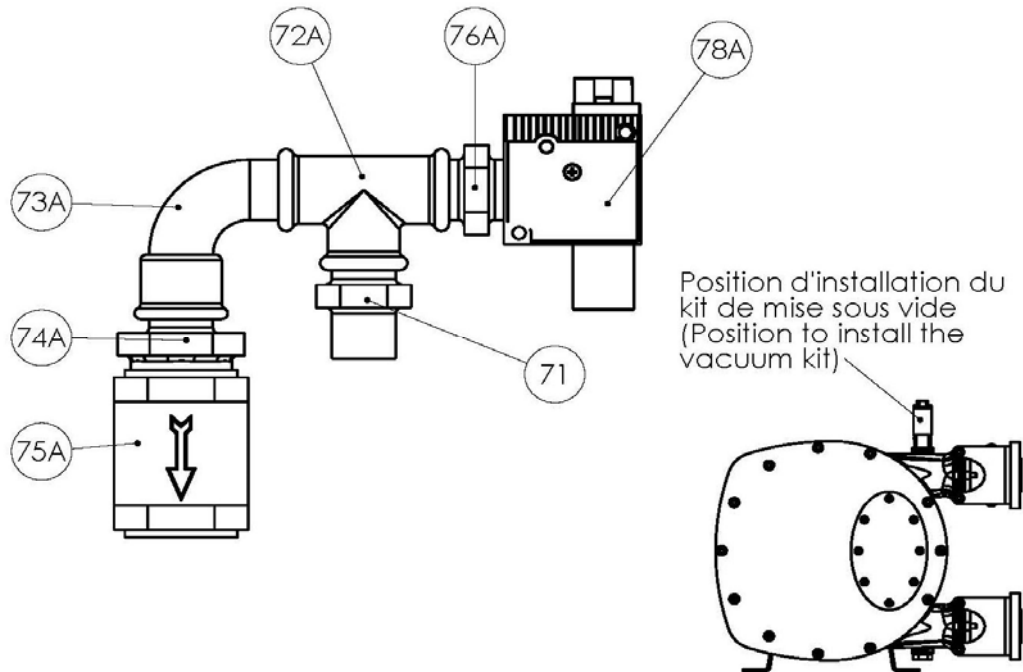
HDX40



PUNCTURE DETECTION KIT



EJECTOR VACUUM KIT



HD25

* 1, 2, 4... : Quantity in equipment - (1), (2), (4)... : Quantity in kit

Item	Available	Description	Qty*	Ref.	Maintenance kit	Wear part
2	◆	COVER HD25	1	AUX230931		
3	◆	WHEEL HD25	1	AUX243037		
9	◆	HOSE CLAMP AND SCREWS	2	AUX319313		
10	◆	COVER SEAL A25 HD25 FKM	1	AUX220200		●
12	◆	INSERT A25 HD25 STAINLESS STEEL	2	AUX217461		
12	◆	INSERT A25 HD25 PPH	2	AUX217052		
12	◆	INSERT A25 HD25 PVDF	2	AUX217053		
16	◆	HOSE A25 HD25 EPDM	1	AUX218723	■	●
16	◆	HOSE HD25 HYPALON	1	AUX231591	■	●
16	◆	HOSE A25 HD25 NBR	1	AUX218722	■	●
16	◆	HOSE A25 HD25 NBR-FDA	1	AUX229476	■	●
16	◆	HOSE A25 HD25 NR	1	AUX218721	■	●
16	◆	HOSE A25 HD25 NR FDA 1935_2004	1	AUX237397	■	●
16	◆	HOSE HD25 EPDM (ATEX)	1	AUX234484	■	●
16	◆	HOSE HD25 NR (ATEX)	1	AUX234485	■	●
18	◆	BRACKET HD25	4	AUX230939		
19	◆	EXPANSABLE TAPER LOCK	1	AUX230979		
26	◆	SHAFT SEAL	1	AUX231780		
27	◆	SEAL RING	1	AUX231532		
59	◆	KIT WINDOW ATEX HD25	1	AUX317921		
59	◆	KIT WINDOW HD25	1	AUX317920		
15		WINDOW HD25	(1)			
17		OIL LEVEL INDICATOR (ATEX)	(1)			
37		SCREW	(8)			
38		SEAL WASHER	(8)			
46	◆	WINDOW SEAL HD25	1	AUX230954		
114	◆	SET OF SHIMS	1	AUX312357		
4		REMOVABLE SHIM	(12)			
119	◆	SET OF ALUMINIUM SHOES A25 HD25	1	AUX312788		
5		SHOE	(2)			
30		PIN	(2)			
130	◆	PUNCTURE DETECTION KIT ATEX HD10 TO HDX40	1	AUX317990		
130	◆	PUNCTURE DETECTION KIT HD10 TO HDX40	1	AUX317989		
71A		NIPPLE	(1)			
72		TEE	(1)			
76		NIPPLE	(1)			
77		SLEEVE	(1)			
78		CAPACITIVE DETECTOR	(1)			
84		AMPLIFIER (WITH ATEX KIT)	(1)			
131	◆	EJECTOR VACUUM KIT FOR HD25 TO HDX40 PUMPS	1	AUX318208		
71		NIPPLE	(1)			
72A		TEE	(1)			
73A		NIPPLE	(1)			
74A		NIPPLE	(1)			
75A		VALVE	(1)			
76A		NIPPLE	(1)			
78A	◆	EJECTOR	1	AUX217749		
1100C	◆	LUBRICANT - GLYCERIN (CAN 2L)	1	AUX314221	■	●
1100J	◆	LUBRICANT - GLYCERIN (CAN 1L)	1	AUX314220		●
1100J	◆	LUBRICANT - FOOD GRADE GLYCERIN (CAN 1L)	1	AUX318791	■	●
1105A	◆	PRESSING GLAND SEALS KIT FOR HD25	1	AUX317723	■	
1105		PRESSING GLAND SEAL FOR HD25	(2)			

HD32

* 1, 2, 4... : Quantity in equipment - (1), (2), (4)... : Quantity in kit

Item	Available	Description	Qty*	Ref.	Maintenance kit	Wear part
2	◆	COVER HD40	1	AUX230932		
3	◆	WHEEL HD32 HD40	1	AUX243039		
9	◆	HOSE CLAMP	2	AUX217086		
10	◆	COVER SEAL A40 HD32 HD40 FKM	1	AUX220201		●
12	◆	INSERT HD32 STAINLESS STEEL	2	AUX233113		
12	◆	INSERT HD32 PPH	2	AUX233130		
12	◆	INSERT HD32 PVDF	2	AUX233131		
16	◆	HOSE A32 HD32 EPDM	1	AUX218726	■	●
16	◆	HOSE HD32 HYPALON	1	AUX233911	■	●
16	◆	HOSE A32 HD32 NBR	1	AUX218725	■	●
16	◆	HOSE A32 HD32 NBR-FDA	1	AUX229482	■	●
16	◆	HOSE A32 HD32 NR	1	AUX218724	■	●
16	◆	HOSE A32 HD32 NR FDA 1935_2004	1	AUX237398	■	●
16	◆	HOSE HD32 EPDM (ATEX)	1	AUX234482	■	●
16	◆	HOSE HD32 NR (ATEX)	1	AUX234483	■	●
18	◆	BRACKET HD32	4	AUX233118		
19	◆	EXPANSABLE TAPER LOCK	1	AUX218861		
26	◆	SHAFT SEAL	1	AUX231782		
27	◆	SEAL RING	1	AUX219051		
59	◆	KIT WINDOW ATEX HD32_40	1	AUX317919		
59	◆	KIT WINDOW HD32_40	1	AUX317918		
15		WINDOW HD32 HD40	(1)			
17		OIL LEVEL INDICATOR (ATEX)	(1)			
37		SCREW	(10)			
38		SEAL WASHER	(10)			
46	◆	WINDOW SEAL HD40-HD32	1	AUX230955		
114	◆	SET OF SHIMS	1	AUX312358		
4		REMOVABLE SHIM	(12)			
119	◆	SET OF ALUMINIUM SHOES HD32	1	AUX317675		
5		SHOE HD32	(2)			
30		PIN	(2)			
130	◆	PUNCTURE DETECTION KIT ATEX HD10 TO HDX40	1	AUX317990		
130	◆	PUNCTURE DETECTION KIT HD10 TO HDX40	1	AUX317989		
71A		NIPPLE	(1)			
72		TEE	(1)			
76		NIPPLE	(1)			
77		SLEEVE	(1)			
78		CAPACITIVE DETECTOR	(1)			
84		AMPLIFIER (WITH ATEX KIT)	(1)			
131	◆	EJECTOR VACUUM KIT FOR HD25 TO HDX40 PUMPS	1	AUX318208		
71		NIPPLE	(1)			
72A		TEE	(1)			
73A		NIPPLE	(1)			
74A		NIPPLE	(1)			
75A		VALVE	(1)			
76A		NIPPLE	(1)			
78A	◆	EJECTOR	1	AUX217749		
1100D	◆	LUBRICANT - GLYCERIN (CAN 2,5L)	1	AUX314829	■	●
1100K	◆	LUBRICANT - GLYCERIN (CAN 2L)	1	AUX314221		●
1100E	◆	LUBRICANT - FOOD GRADE GLYCERIN (CAN 5L)	1	AUX318794	■	●
1105A	◆	PRESSING GLAND SEALS KIT FOR HD32_40	1	AUX317724	■	
1105		PRESSING GLAND SEAL FOR HD32_40	(2)			

HD40

* 1, 2, 4... : Quantity in equipment - (1), (2), (4)... : Quantity in kit

Item	Available	Description	Qty*	Ref.	Maintenance kit	Wear part
2	◆	COVER HD40	1	AUX230932		
3	◆	WHEEL HD32 HD40	1	AUX243039		
9	◆	HOSE CLAMP	2	AUX217086		
10	◆	COVER SEAL A40 HD32 HD40 FKM	1	AUX220201		●
12	◆	INSERT A40 HD40 STAINLESS STEEL	2	AUX217310		
12	◆	INSERT A40 HD40 PPH	2	AUX217311		
12	◆	INSERT A40 HD40 PVDF	2	AUX217312		
16	◆	HOSE A40 HD40 EPDM	1	AUX218729	■	●
16	◆	HOSE HD40 HYPALON	1	AUX231596	■	●
16	◆	HOSE A40 HD40 NBR	1	AUX218728	■	●
16	◆	HOSE A40 HD40 NBR-FDA	1	AUX229380	■	●
16	◆	HOSE A40 HD40 NR	1	AUX218727	■	●
16	◆	HOSE A40 HD40 NR FDA 1935_2004	1	AUX237399	■	●
16	◆	HOSE HD40 EPDM (ATEX)	1	AUX234480	■	●
16	◆	HOSE HD40 NR (ATEX)	1	AUX234481	■	●
18	◆	BRACKET HD40	4	AUX230940		
19	◆	EXPANSABLE TAPER LOCK	1	AUX218861		
26	◆	SHAFT SEAL	1	AUX231782		
27	◆	SEAL RING	1	AUX219051		
59	◆	KIT WINDOW ATEX HD32_40	1	AUX317919		
59	◆	KIT WINDOW HD32_40	1	AUX317918		
15		WINDOW HD32 HD40	(1)			
17		OIL LEVEL INDICATOR (ATEX)	(1)			
37		SCREW	(10)			
38		SEAL WASHER	(10)			
46	◆	WINDOW SEAL HD40-HD32	1	AUX230955		
114	◆	SET OF SHIMS	1	AUX312358		
4		REMOVABLE SHIM	(12)			
119	◆	SET OF ALUMINIUM SHOES A40 HD40	1	AUX312782		
5		SHOE	(2)			
30		PIN	(2)			
130	◆	PUNCTURE DETECTION KIT ATEX HD10 TO HDX40	1	AUX317990		
130	◆	PUNCTURE DETECTION KIT HD10 TO HDX40	1	AUX317989		
71A		NIPPLE	(1)			
72		TEE	(1)			
76		NIPPLE	(1)			
77		SLEEVE	(1)			
78		CAPACITIVE DETECTOR	(1)			
84		AMPLIFIER (WITH ATEX KIT)	(1)			
131	◆	EJECTOR VACUUM KIT FOR HD25 TO HDX40 PUMPS	1	AUX318208		
71		NIPPLE	(1)			
72A		TEE	(1)			
73A		NIPPLE	(1)			
74A		NIPPLE	(1)			
75A		VALVE	(1)			
76A		NIPPLE	(1)			
78A	◆	EJECTOR	1	AUX217749		
1100D	◆	LUBRICANT - GLYCERIN (CAN 2,5L)	1	AUX314829	■	●
1100K	◆	LUBRICANT - GLYCERIN (CAN 2L)	1	AUX314221		●
1100E	◆	LUBRICANT - FOOD GRADE GLYCERIN (CAN 5L)	1	AUX318794	■	●
1105A	◆	PRESSING GLAND SEALS KIT FOR HD32_40	1	AUX317724	■	
1105		PRESSING GLAND SEAL FOR HD32_40	(2)			

HDX40

* 1, 2, 4... : Quantity in equipment - (1), (2), (4)... : Quantity in kit

Item	Available	Description	Qty*	Ref.	Maintenance kit	Wear part
2	◆	COVER HDX40	1	AUX230933		
3	◆	WHEEL HDX40	1	AUX243041		
9	◆	HOSE CLAMP	2	AUX217086		
10	◆	COVER SEAL AX40 HDX40 FKM	1	AUX220144		●
12	◆	INSERT AX40 HDX40 STAINLESS STEEL	2	AUX217313		
12	◆	INSERT AX40 HDX40 PPH	2	AUX217314		
12	◆	INSERT AX40 HDX40 PVDF	2	AUX217315		
16	◆	HOSE AX40 HDX40 EPDM	1	AUX218732	■	●
16	◆	HOSE HDX40 HYPALON	1	AUX231552	■	●
16	◆	HOSE AX40 HDX40 NBR	1	AUX218731	■	●
16	◆	HOSE AX40 HDX40 NBR-FDA	1	AUX229477	■	●
16	◆	HOSE AX40 HDX40 NR	1	AUX218730	■	●
16	◆	HOSE AX40 HDX40 NR FDA 1935_2004	1	AUX237400	■	●
16	◆	HOSE HDX40 EPDM (ATEX)	1	AUX234474	■	●
16	◆	HOSE HDX40 NR (ATEX)	1	AUX234475	■	●
18	◆	BRACKET HDX40	4	AUX230941		
19	◆	EXPANSABLE TAPER LOCK	1	AUX230981		
26	◆	SHAFT SEAL	1	AUX231719		
26	◆	SHAFT SEAL (ATEX)	1	AUX234460		
27	◆	SEAL RING (CLOSE COUPLING BORE 50)	1	AUX219057		
59	◆	KIT WINDOW ATEX HDX40	1	AUX317908		
59	◆	KIT WINDOW HDX40	1	AUX317907		
15		WINDOW HDX40	(1)			
17		OIL LEVEL INDICATOR (ATEX)	(1)			
37		SCREW	(10)			
38		SEAL WASHER	(10)			
46	◆	WINDOW SEAL HDX40	1	AUX230956		
114	◆	SET OF SHIMS	1	AUX312359		
4		REMOVABLE SHIM	(12)			
119	◆	SET OF ALUMINIUM SHOES HDX40	1	AUX317201		
4A		FIXED SHIM	(4)			
4B		FIXED SHIM	(4)			
5		SHOE	(2)			
30		PIN	(2)			
130	◆	PUNCTURE DETECTION KIT ATEX HD10 TO HDX40	1	AUX317990		
130	◆	PUNCTURE DETECTION KIT HD10 TO HDX40	1	AUX317989		
71A		NIPPLE	(1)			
72		TEE	(1)			
76		NIPPLE	(1)			
77		SLEEVE	(1)			
78		CAPACITIVE DETECTOR	(1)			
84		AMPLIFIER (WITH ATEX KIT)	(1)			
131	◆	EJECTOR VACUUM KIT FOR HD25 TO HDX40 PUMPS	1	AUX318208		
71		NIPPLE	(1)			
72A		TEE	(1)			
73A		NIPPLE	(1)			
74A		NIPPLE	(1)			
75A		VALVE	(1)			
76A		NIPPLE	(1)			
78A	◆	EJECTOR	1	AUX217749		
1100E	◆	LUBRICANT - GLYCERIN (CAN 5L)	1	AUX314222	■	●
1100K	◆	LUBRICANT - GLYCERIN (CAN 2L)	1	AUX314221		●
1100E	◆	LUBRICANT - FOOD GRADE GLYCERIN (CAN 5L)	1	AUX318794	■	●
1100J	◆	LUBRICANT - FOOD GRADE GLYCERIN (CAN 1L)	1	AUX318791		●
1105A	◆	PRESSING GLAND SEALS KIT FOR HDX40	1	AUX317725	■	
1105		PRESSING GLAND SEAL FOR HDX40	(2)			