

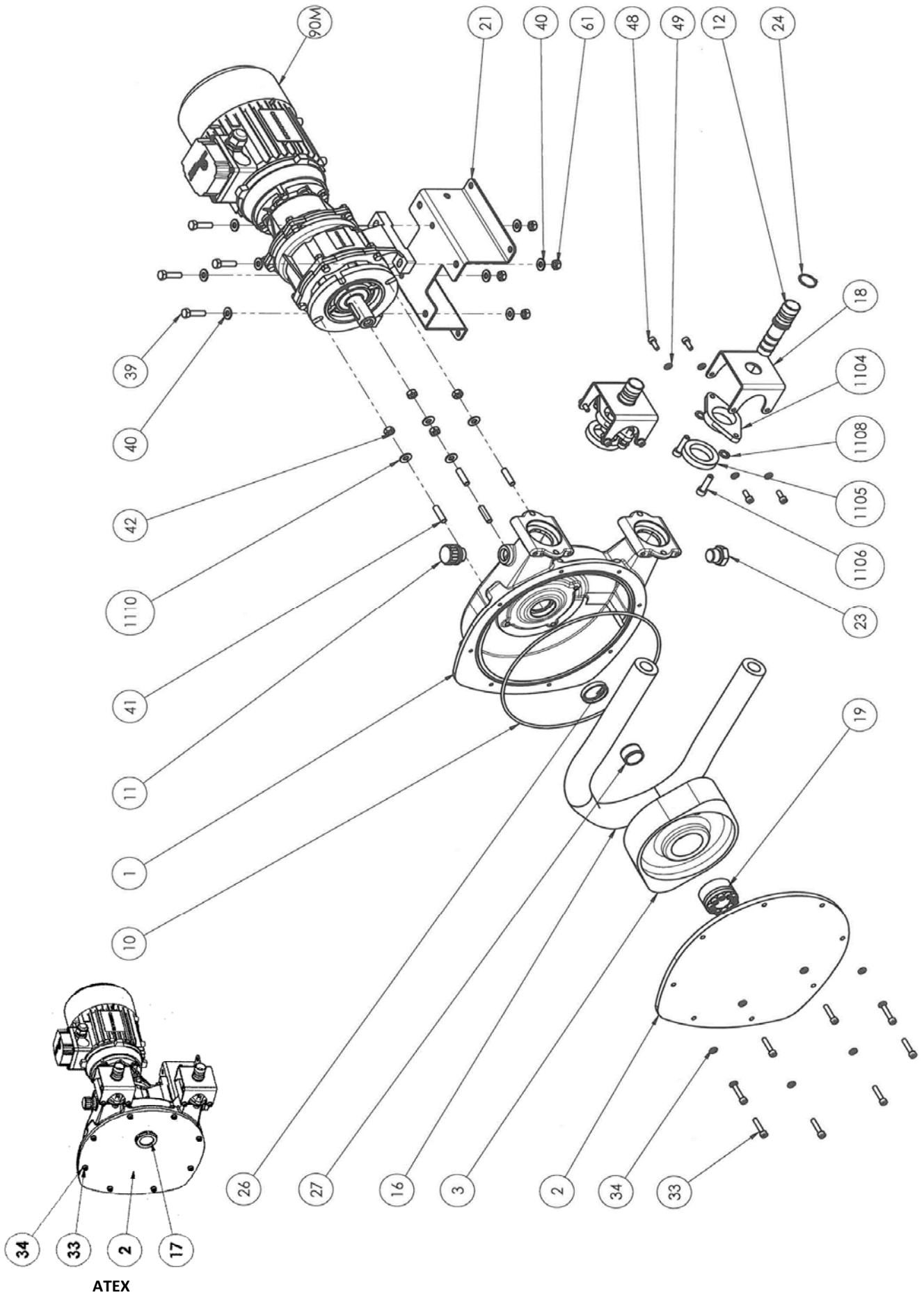
PIECES DETACHEES
POMPES
HD10 - HD15 - HD20

Conserver la liste de pièces détachées avec la Notice d'instructions.

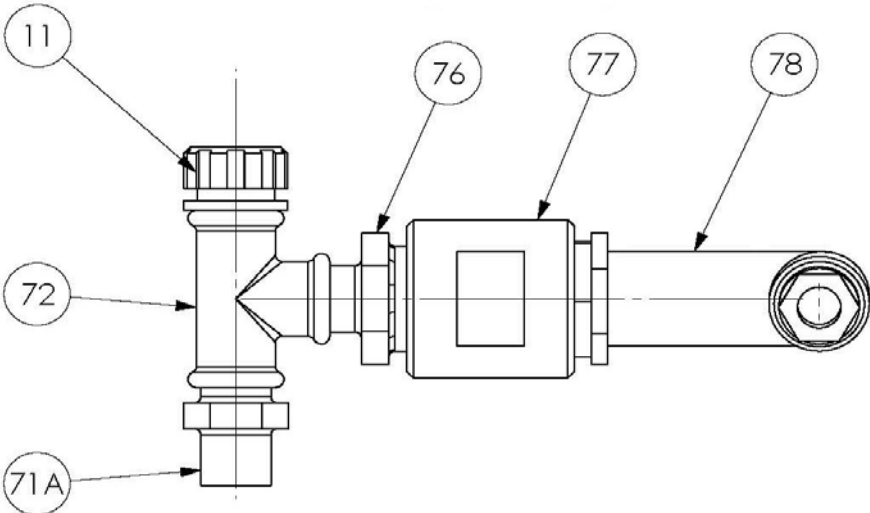
Pour commander des pièces de rechange, indiquer le(s) Référence(s) désirée(s).

- ◆ Ensembles de pièces ou pièces seules pouvant être fournis.

HD10 - HD15 - HD20



KIT DETECTION DE CREVAISON



HD10

* 1, 2, 4... : Quantité dans le matériel - (1), (2), (4)... : Quantité dans le kit

| Repère | Vendable | Description | Qté* | Ref. | Kit maintenance | Pièce usure |
|--------|----------|---|------|-----------|-----------------|-------------|
| 3 | ◆ | ROUE (ENTRAINEMENT ALES 25) | 1 | AUX217457 | | |
| 12 | ◆ | INSERT A10 HD10 INOX | 2 | AUX217298 | | |
| 12 | ◆ | INSERT A10 HD10 PPH | 2 | AUX217299 | | |
| 12 | ◆ | INSERT A10 HD10 PVDF | 2 | AUX217300 | | |
| 16 | ◆ | TUYAU A10 HD10 EPDM | 1 | AUX218714 | ■ | ● |
| 16 | ◆ | TUYAU HD10 HYPALON | 1 | AUX231590 | ■ | ● |
| 16 | ◆ | TUYAU A10 HD10 NBR | 1 | AUX218713 | ■ | ● |
| 16 | ◆ | TUYAU A10 HD10 NBR-FDA | 1 | AUX229474 | ■ | ● |
| 16 | ◆ | TUYAU A10 HD10 NR | 1 | AUX218712 | ■ | ● |
| 16 | ◆ | TUYAU A10 HD10 NR FDA 1935_2004 | 1 | AUX237394 | ■ | ● |
| 16 | ◆ | TUYAU HD10 EPDM (ATEX) | 1 | AUX234491 | ■ | ● |
| 16 | ◆ | TUYAU HD10 NR (ATEX) | 1 | AUX234492 | ■ | ● |
| 18 | ◆ | ETRIER HD10 | 2 | AUX230937 | | |
| 19 | ◆ | MOYEU EXPANSIBLE D25 | 1 | AUX217778 | | |
| 26 | ◆ | JOINT D'ARBRE | 1 | AUX231718 | | |
| 27 | ◆ | BAGUE (ENTRAINEMENT ALES 25) | 1 | AUX219026 | | |
| 59 | ◆ | KIT COUVERCLE ATEX HD10 | 1 | AUX317935 | | |
| 59 | ◆ | KIT COUVERCLE HD10 | 1 | AUX317934 | | |
| 2A | | COUVERCLE HD10 | (1) | | | |
| 10 | ◆ | JOINT DE COUVERCLE A10 HD10 FKM | 1 | AUX220198 | | ● |
| 17 | | INDICATEUR NIVEAU D HUILE (ATEX) | (1) | | | |
| 33 | | VIS | (8) | | | |
| 34 | | RONDELLE ETANCHE | (8) | | | |
| 130 | ◆ | KIT DETECTION DE CREVAISON ATEX HD10 A HDX40 | 1 | AUX317990 | | |
| 130 | ◆ | KIT DETECTION DE CREVAISON HD10 A HDX40 | 1 | AUX317989 | | |
| 71A | | MAMELON | (1) | | | |
| 72 | | TE | (1) | | | |
| 76 | | MAMELON | (1) | | | |
| 77 | | BOBINE | (1) | | | |
| 78 | | DETECTEUR CAPACITIF | (1) | | | |
| 84 | | AMPLIFICATEUR (AVEC KIT ATEX) | (1) | | | |
| 1100A | ◆ | LUBRIFIANT - GLYCERINE (BIDON 0,5L) | 1 | AUX314828 | ■ | ● |
| 1100J | ◆ | LUBRIFIANT - GLYCERINE (BIDON 1L) | 1 | AUX314220 | | ● |
| 1100A | ◆ | LUBRIFIANT - GLYCERINE ALIMENTAIRE (BIDON 0,5L) | 1 | AUX318789 | ■ | ● |
| 1100J | ◆ | LUBRIFIANT - GLYCERINE ALIMENTAIRE (BIDON 1L) | 1 | AUX318791 | | ● |
| 1105A | ◆ | KIT JOINTS DE PRESSE ETOUPE HD10 | 1 | AUX317721 | ■ | |
| 1105 | | JOINT DE PRESSE ETOUPE HD10 | (2) | | | |

HD15

* 1, 2, 4... : Quantité dans le matériel - (1), (2), (4)... : Quantité dans le kit

| Repère | Vendable | Description | Qté* | Ref. | Kit maintenance | Pièce usure |
|--------|----------|---|------|-----------|-----------------|-------------|
| 3 | ◆ | ROUE | 1 | AUX217287 | | |
| 12 | ◆ | INSERT A15 HD15 INOX | 2 | AUX217301 | | |
| 12 | ◆ | INSERT A15 HD15 PPH | 2 | AUX217302 | | |
| 12 | ◆ | INSERT A15 HD15 PVDF | 2 | AUX217303 | | |
| 16 | ◆ | TUYAU A15 HD15 EPDM | 1 | AUX218940 | ■ | ● |
| 16 | ◆ | TUYAU HD15 HYPALON | 1 | AUX231550 | ■ | ● |
| 16 | ◆ | TUYAU A15 HD15 NBR | 1 | AUX218939 | ■ | ● |
| 16 | ◆ | TUYAU A15 HD15 NBR-FDA | 1 | AUX229475 | ■ | ● |
| 16 | ◆ | TUYAU A15 HD15 NR | 1 | AUX218938 | ■ | ● |
| 16 | ◆ | TUYAU A15 HD15 NR FDA 1935_2004 | 1 | AUX237395 | ■ | ● |
| 16 | ◆ | TUYAU HD15 EPDM (ATEX) | 1 | AUX234488 | ■ | ● |
| 16 | ◆ | TUYAU HD15 NR (ATEX) | 1 | AUX234490 | ■ | ● |
| 18 | ◆ | ETRIER HD15 | 2 | AUX230938 | | |
| 19 | ◆ | MOYEU EXPANSIBLE D25 | 1 | AUX217778 | | |
| 26 | ◆ | JOINT D'ARBRE | 1 | AUX231718 | | |
| 27 | ◆ | BAGUE (ENTRAINEMENT ALES 25) | 1 | AUX219026 | | |
| 59 | ◆ | KIT COUVERCLE ATEX HD20_15 | 1 | AUX317933 | | |
| 59 | ◆ | KIT COUVERCLE HD20_15 | 1 | AUX317932 | | |
| 2A | | COUVERCLE HD15 HD20 | (1) | | | |
| 10 | ◆ | JOINT DE COUVERCLE A15 A20 HD15 HD20 FKM | 1 | AUX220199 | | ● |
| 17 | | INDICATEUR NIVEAU D HUILE (ATEX) | (1) | | | |
| 33 | | VIS | (8) | | | |
| 34 | | RONDELLE ETANCHE | (8) | | | |
| 130 | ◆ | KIT DETECTION DE CREVAISON ATEX HD10 A HDX40 | 1 | AUX317990 | | |
| 130 | ◆ | KIT DETECTION DE CREVAISON HD10 A HDX40 | 1 | AUX317989 | | |
| 71A | | MAMELON | (1) | | | |
| 72 | | TE | (1) | | | |
| 76 | | MAMELON | (1) | | | |
| 77 | | BOBINE | (1) | | | |
| 78 | | DETECTEUR CAPACITIF | (1) | | | |
| 84 | | AMPLIFICATEUR (AVEC KIT ATEX) | (1) | | | |
| 1100B | ◆ | LUBRIFIANT - GLYCERINE (BIDON 1L) | 1 | AUX314220 | ■ | ● |
| 1100H | ◆ | LUBRIFIANT - GLYCERINE (BIDON 0,5L) | 1 | AUX314828 | | ● |
| 1100B | ◆ | LUBRIFIANT - GLYCERINE ALIMENTAIRE (BIDON 1L) | 1 | AUX318791 | ■ | ● |
| 1100H | ◆ | LUBRIFIANT - GLYCERINE ALIMENTAIRE (BIDON 0,5L) | 1 | AUX318789 | | ● |
| 1105A | ◆ | KIT JOINTS DE PRESSE ETOUPE HD15_20 | 1 | AUX317722 | ■ | |
| 1105 | | JOINT DE PRESSE ETOUPE HD20_HD15 | (2) | | | |

HD20

* 1, 2, 4... : Quantité dans le matériel - (1), (2), (4)... : Quantité dans le kit

| Repère | Vendable | Description | Qté* | Ref. | Kit maintenance | Pièce usure |
|--------|----------|---|------|-----------|-----------------|-------------|
| 3 | ◆ | ROUE | 1 | AUX217288 | | |
| 12 | ◆ | INSERT A20 HD20 INOX | 2 | AUX217304 | | |
| 12 | ◆ | INSERT A20 HD20 PPH | 2 | AUX217305 | | |
| 12 | ◆ | INSERT A20 HD20 PVDF | 2 | AUX217306 | | |
| 16 | ◆ | TUYAU A20 HD20 EPDM | 1 | AUX218943 | ■ | ● |
| 16 | ◆ | TUYAU HD20 HYPALON | 1 | AUX231551 | ■ | ● |
| 16 | ◆ | TUYAU A20 HD20 NBR | 1 | AUX218942 | ■ | ● |
| 16 | ◆ | TUYAU A20 HD20 NBR-FDA | 1 | AUX229154 | ■ | ● |
| 16 | ◆ | TUYAU A20 HD20 NR | 1 | AUX218941 | ■ | ● |
| 16 | ◆ | TUYAU A20 HD20 NR FDA 1935_2004 | 1 | AUX237396 | ■ | ● |
| 16 | ◆ | TUYAU HD20 EPDM (ATEX) | 1 | AUX234486 | ■ | ● |
| 16 | ◆ | TUYAU HD20 NR (ATEX) | 1 | AUX234487 | ■ | ● |
| 18 | ◆ | ETRIER HD20 | 2 | AUX230787 | | |
| 19 | ◆ | MOYEU EXPANSIBLE D25 | 1 | AUX217778 | | |
| 26 | ◆ | JOINT D'ARBRE | 1 | AUX231718 | | |
| 27 | ◆ | BAGUE (ENTRAINEMENT ALES 25) | 1 | AUX219026 | | |
| 59 | ◆ | KIT COUVERCLE ATEX HD20_15 | 1 | AUX317933 | | |
| 59 | ◆ | KIT COUVERCLE HD20_15 | 1 | AUX317932 | | |
| 2A | | COUVERCLE HD15 HD20 | (1) | | | |
| 10 | ◆ | JOINT DE COUVERCLE A15 A20 HD15 HD20 FKM | 1 | AUX220199 | | ● |
| 17 | | INDICATEUR NIVEAU D HUILE (ATEX) | (1) | | | |
| 33 | | VIS | (8) | | | |
| 34 | | RONDELLE ETANCHE | (8) | | | |
| 130 | ◆ | KIT DETECTION DE CREVAISON ATEX HD10 A HDX40 | 1 | AUX317990 | | |
| 130 | ◆ | KIT DETECTION DE CREVAISON HD10 A HDX40 | 1 | AUX317989 | | |
| 71A | | MAMELON | (1) | | | |
| 72 | | TE | (1) | | | |
| 76 | | MAMELON | (1) | | | |
| 77 | | BOBINE | (1) | | | |
| 78 | | DETECTEUR CAPACITIF | (1) | | | |
| 84 | | AMPLIFICATEUR (AVEC KIT ATEX) | (1) | | | |
| 1100B | ◆ | LUBRIFIANT - GLYCERINE (BIDON 1L) | 1 | AUX314220 | ■ | ● |
| 1100H | ◆ | LUBRIFIANT - GLYCERINE (BIDON 0,5L) | 1 | AUX314828 | | ● |
| 1100B | ◆ | LUBRIFIANT - GLYCERINE ALIMENTAIRE (BIDON 1L) | 1 | AUX318791 | ■ | ● |
| 1100H | ◆ | LUBRIFIANT - GLYCERINE ALIMENTAIRE (BIDON 0,5L) | 1 | AUX318789 | | ● |
| 1105A | ◆ | KIT JOINTS DE PRESSE ETOUPE HD15_20 | 1 | AUX317722 | ■ | |
| 1105 | | JOINT DE PRESSE ETOUPE HD20_HD15 | (2) | | | |