

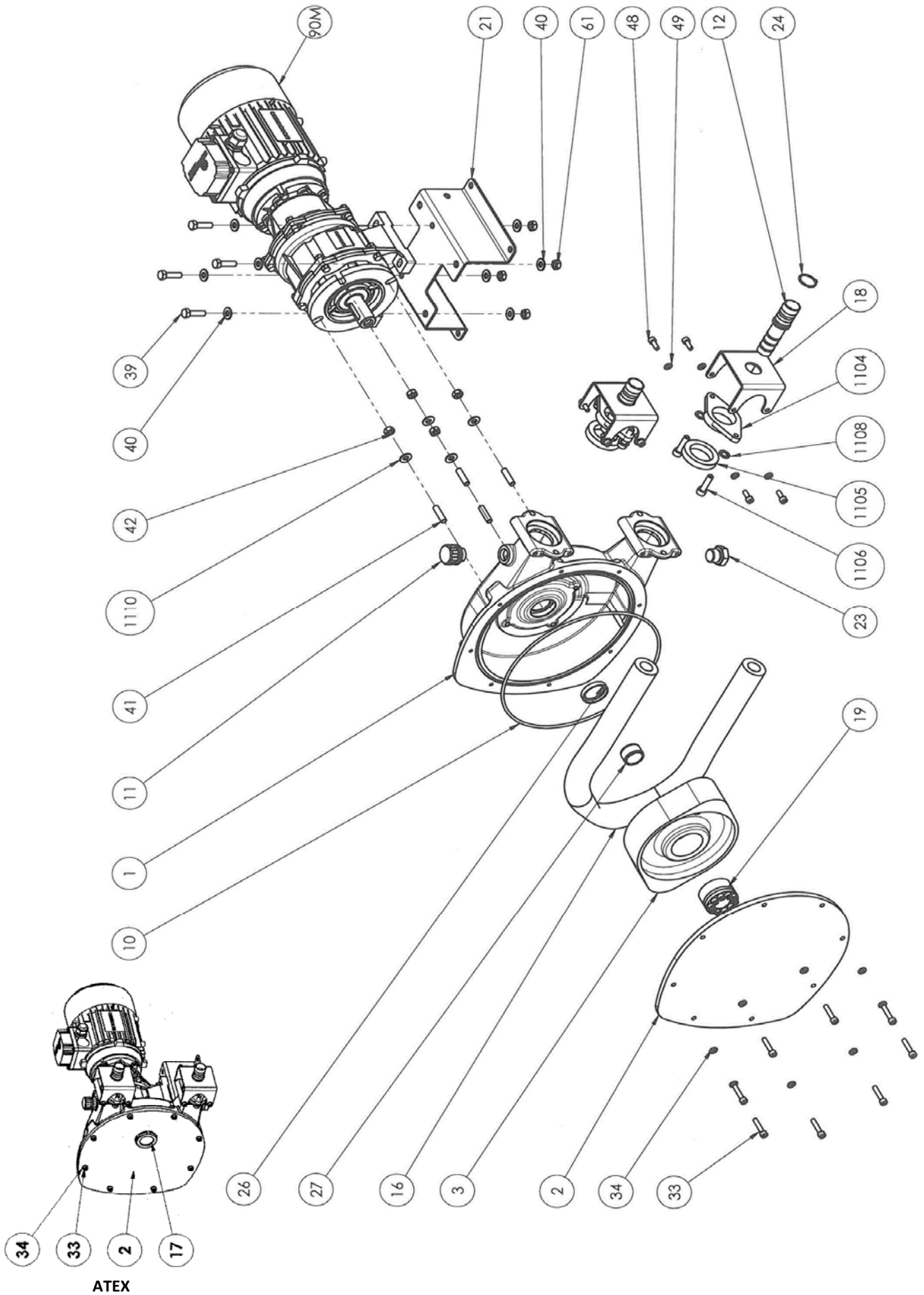
**PARTS LIST**  
**PUMPS**  
**HD10 - HD15 - HD20**

Keep this parts lists with Installation, Operation and Maintenance Instructions.

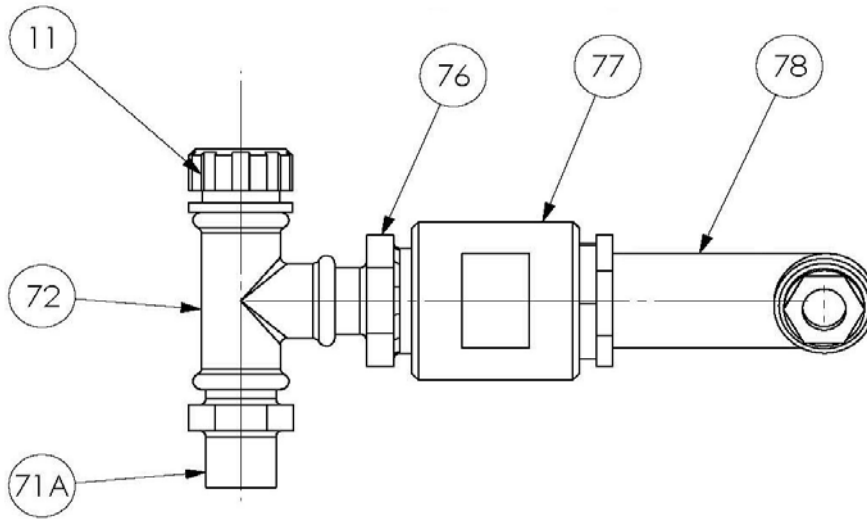
To order the required spare parts, indicate the desired Reference(s).

- ◆ Sets of parts or parts available to order.

# HD10 - HD15 - HD20



# PUNCTURE DETECTION KIT



# HD10

\* 1, 2, 4... : Quantity in equipment - (1), (2), (4)... : Quantity in kit

Item	Available	Description	Qty*	Ref.	Maintenance kit	Wear part
3	◆	WHEEL (CLOSE COUPLING BORE 25)	1	AUX217457		
12	◆	INSERT A10 HD10 STAINLESS STEEL	2	AUX217298		
12	◆	INSERT A10 HD10 PPH	2	AUX217299		
12	◆	INSERT A10 HD10 PVDF	2	AUX217300		
16	◆	HOSE A10 HD10 EPDM	1	AUX218714	■	●
16	◆	HOSE HD10 HYPALON	1	AUX231590	■	●
16	◆	HOSE A10 HD10 NBR	1	AUX218713	■	●
16	◆	HOSE A10 HD10 NBR-FDA	1	AUX229474	■	●
16	◆	HOSE A10 HD10 NR	1	AUX218712	■	●
16	◆	HOSE A10 HD10 NR FDA 1935_2004	1	AUX237394	■	●
16	◆	HOSE HD10 EPDM (ATEX)	1	AUX234491	■	●
16	◆	HOSE HD10 NR (ATEX)	1	AUX234492	■	●
18	◆	BRACKET HD10	2	AUX230937		
19	◆	EXPANSABLE TAPER LOCK D25	1	AUX217778		
26	◆	SHAFT SEAL	1	AUX231718		
27	◆	SEAL RING (CLOSE COUPLING BORE 25)	1	AUX219026		
59	◆	KIT COVER ATEX HD10	1	AUX317935		
59	◆	KIT COVER HD10	1	AUX317934		
2A		COVER HD10	(1)			
10	◆	COVER SEAL A10 HD10 FKM	1	AUX220198		●
17		OIL LEVEL INDICATOR (ATEX)	(1)			
33		SCREW	(8)			
34		SEAL WASHER	(8)			
130	◆	PUNCTURE DETECTION KIT ATEX HD10 TO HDX40	1	AUX317990		
130	◆	PUNCTURE DETECTION KIT HD10 TO HDX40	1	AUX317989		
71A		NIPPLE	(1)			
72		TEE	(1)			
76		NIPPLE	(1)			
77		SLEEVE	(1)			
78		CAPACITIVE DETECTOR	(1)			
84		AMPLIFIER (WITH ATEX KIT)	(1)			
1100A	◆	LUBRICANT - GLYCERIN (CAN 0,5L)	1	AUX314828	■	●
1100J	◆	LUBRICANT - GLYCERIN (CAN 1L)	1	AUX314220		●
1100A	◆	LUBRICANT - FOOD GRADE GLYCERIN (CAN 0,5L)	1	AUX318789	■	●
1100J	◆	LUBRICANT - FOOD GRADE GLYCERIN (CAN 1L)	1	AUX318791		●
1105A	◆	PRESSING GLAND SEALS KIT FOR HD10	1	AUX317721	■	
1105		PRESSING GLAND SEAL FOR HD10	(2)			

# HD15

\* 1, 2, 4... : Quantity in equipment - (1), (2), (4)... : Quantity in kit

Item	Available	Description	Qty*	Ref.	Maintenance kit	Wear part
3	◆	WHEEL	1	AUX217287		
12	◆	INSERT A15 HD15 STAINLESS STEEL	2	AUX217301		
12	◆	INSERT A15 HD15 PPH	2	AUX217302		
12	◆	INSERT A15 HD15 PVDF	2	AUX217303		
16	◆	HOSE A15 HD15 EPDM	1	AUX218940	■	●
16	◆	HOSE HD15 HYPALON	1	AUX231550	■	●
16	◆	HOSE A15 HD15 NBR	1	AUX218939	■	●
16	◆	HOSE A15 HD15 NBR-FDA	1	AUX229475	■	●
16	◆	HOSE A15 HD15 NR	1	AUX218938	■	●
16	◆	HOSE A15 HD15 NR FDA 1935_2004	1	AUX237395	■	●
16	◆	HOSE HD15 EPDM (ATEX)	1	AUX234488	■	●
16	◆	HOSE HD15 NR (ATEX)	1	AUX234490	■	●
18	◆	BRACKET HD15	2	AUX230938		
19	◆	EXPANSABLE TAPER LOCK D25	1	AUX217778		
26	◆	SHAFT SEAL	1	AUX231718		
27	◆	SEAL RING (CLOSE COUPLING BORE 25)	1	AUX219026		
59	◆	KIT COVER ATEX HD20_15	1	AUX317933		
59	◆	KIT COVER HD20_15	1	AUX317932		
2A		COVER HD15 HD20	(1)			●
10	◆	COVER SEAL A15 A20 HD15 HD20 FKM	1	AUX220199		●
17		OIL LEVEL INDICATOR (ATEX)	(1)			
33		SCREW	(8)			
34		SEAL WASHER	(8)			
130	◆	PUNCTURE DETECTION KIT ATEX HD10 TO HDX40	1	AUX317990		
130	◆	PUNCTURE DETECTION KIT HD10 TO HDX40	1	AUX317989		
71A		NIPPLE	(1)			
72		TEE	(1)			
76		NIPPLE	(1)			
77		SLEEVE	(1)			
78		CAPACITIVE DETECTOR	(1)			
84		AMPLIFIER (WITH ATEX KIT)	(1)			
1100B	◆	LUBRICANT - GLYCERIN (CAN 1L)	1	AUX314220	■	●
1100H	◆	LUBRICANT - GLYCERIN (CAN 0,5L)	1	AUX314828		●
1100B	◆	LUBRICANT - FOOD GRADE GLYCERIN (CAN 1L)	1	AUX318791	■	●
1100H	◆	LUBRICANT - FOOD GRADE GLYCERIN (CAN 0,5L)	1	AUX318789		●
1105A	◆	PRESSING GLAND SEALS KIT FOR HD15_20	1	AUX317722	■	
1105		PRESSING GLAND SEAL FOR HD20_HD15	(2)			

# HD20

\* 1, 2, 4... : Quantity in equipment - (1), (2), (4)... : Quantity in kit

Item	Available	Description	Qty*	Ref.	Maintenance kit	Wear part
3	◆	WHEEL	1	AUX217288		
12	◆	INSERT A20 HD20 STAINLESS STEEL	2	AUX217304		
12	◆	INSERT A20 HD20 PPH	2	AUX217305		
12	◆	INSERT A20 HD20 PVDF	2	AUX217306		
16	◆	HOSE A20 HD20 EPDM	1	AUX218943	■	●
16	◆	HOSE HD20 HYPALON	1	AUX231551	■	●
16	◆	HOSE A20 HD20 NBR	1	AUX218942	■	●
16	◆	HOSE A20 HD20 NBR-FDA	1	AUX229154	■	●
16	◆	HOSE A20 HD20 NR	1	AUX218941	■	●
16	◆	HOSE A20 HD20 NR FDA 1935_2004	1	AUX237396	■	●
16	◆	HOSE HD20 EPDM (ATEX)	1	AUX234486	■	●
16	◆	HOSE HD20 NR (ATEX)	1	AUX234487	■	●
18	◆	BRACKET HD20	2	AUX230787		
19	◆	EXPANSABLE TAPER LOCK D25	1	AUX217778		
26	◆	SHAFT SEAL	1	AUX231718		
27	◆	SEAL RING (CLOSE COUPLING BORE 25)	1	AUX219026		
59	◆	KIT COVER ATEX HD20_15	1	AUX317933		
59	◆	KIT COVER HD20_15	1	AUX317932		
2A		COVER HD15 HD20	(1)			●
10	◆	COVER SEAL A15 A20 HD15 HD20 FKM	1	AUX220199		●
17		OIL LEVEL INDICATOR (ATEX)	(1)			
33		SCREW	(8)			
34		SEAL WASHER	(8)			
130	◆	PUNCTURE DETECTION KIT ATEX HD10 TO HDX40	1	AUX317990		
130	◆	PUNCTURE DETECTION KIT HD10 TO HDX40	1	AUX317989		
71A		NIPPLE	(1)			
72		TEE	(1)			
76		NIPPLE	(1)			
77		SLEEVE	(1)			
78		CAPACITIVE DETECTOR	(1)			
84		AMPLIFIER (WITH ATEX KIT)	(1)			
1100B	◆	LUBRICANT - GLYCERIN (CAN 1L)	1	AUX314220	■	●
1100H	◆	LUBRICANT - GLYCERIN (CAN 0,5L)	1	AUX314828		●
1100B	◆	LUBRICANT - FOOD GRADE GLYCERIN (CAN 1L)	1	AUX318791	■	●
1100H	◆	LUBRICANT - FOOD GRADE GLYCERIN (CAN 0,5L)	1	AUX318789		●
1105A	◆	PRESSING GLAND SEALS KIT FOR HD15_20	1	AUX317722	■	
1105		PRESSING GLAND SEAL FOR HD20_HD15	(2)			