

PARTS LIST

PUMPS

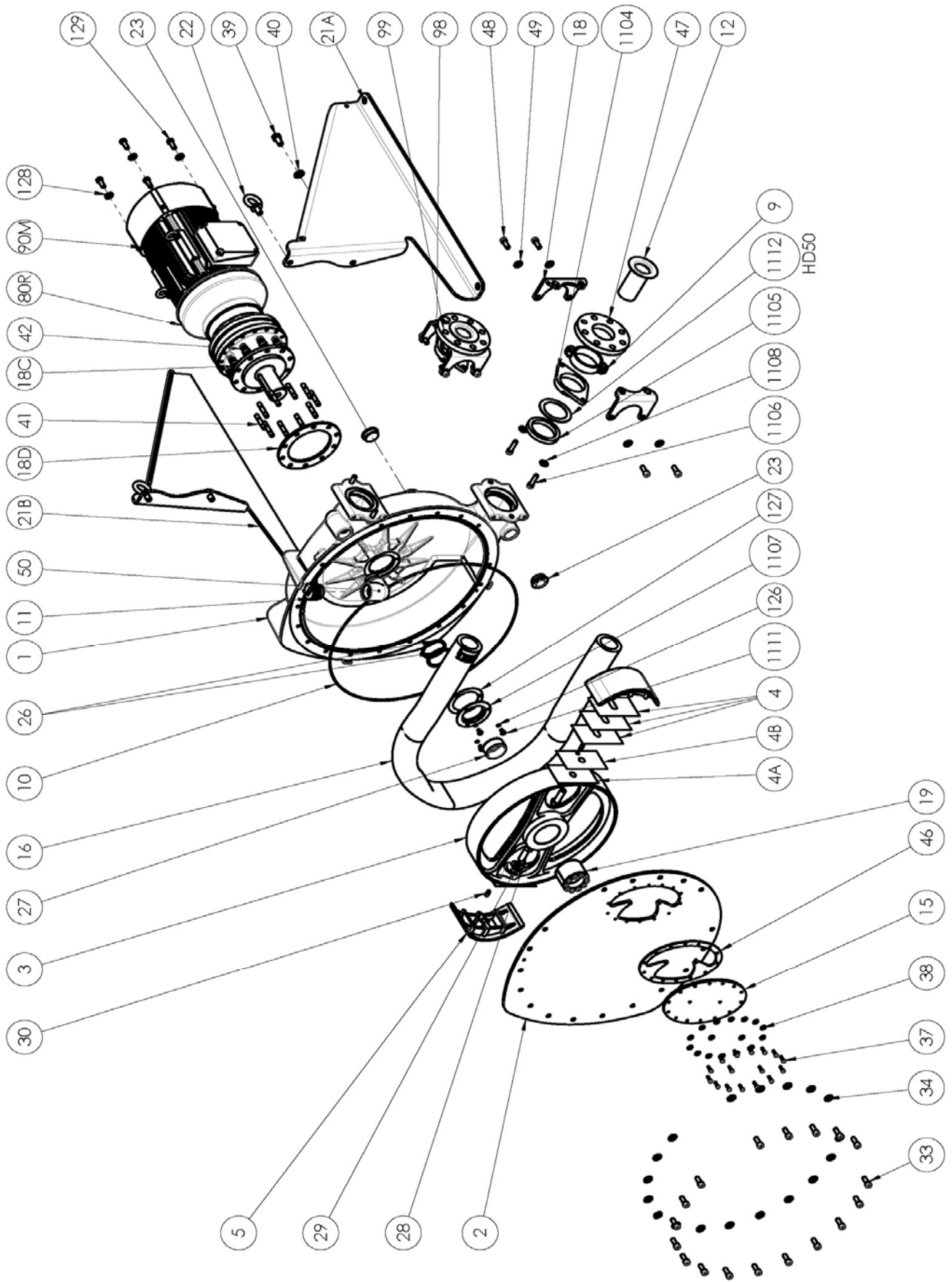
HD50 - HD65 - HDX65 - HDX80 - HD80 - HD100

Keep this parts lists with Installation, Operation and Maintenance Instructions.

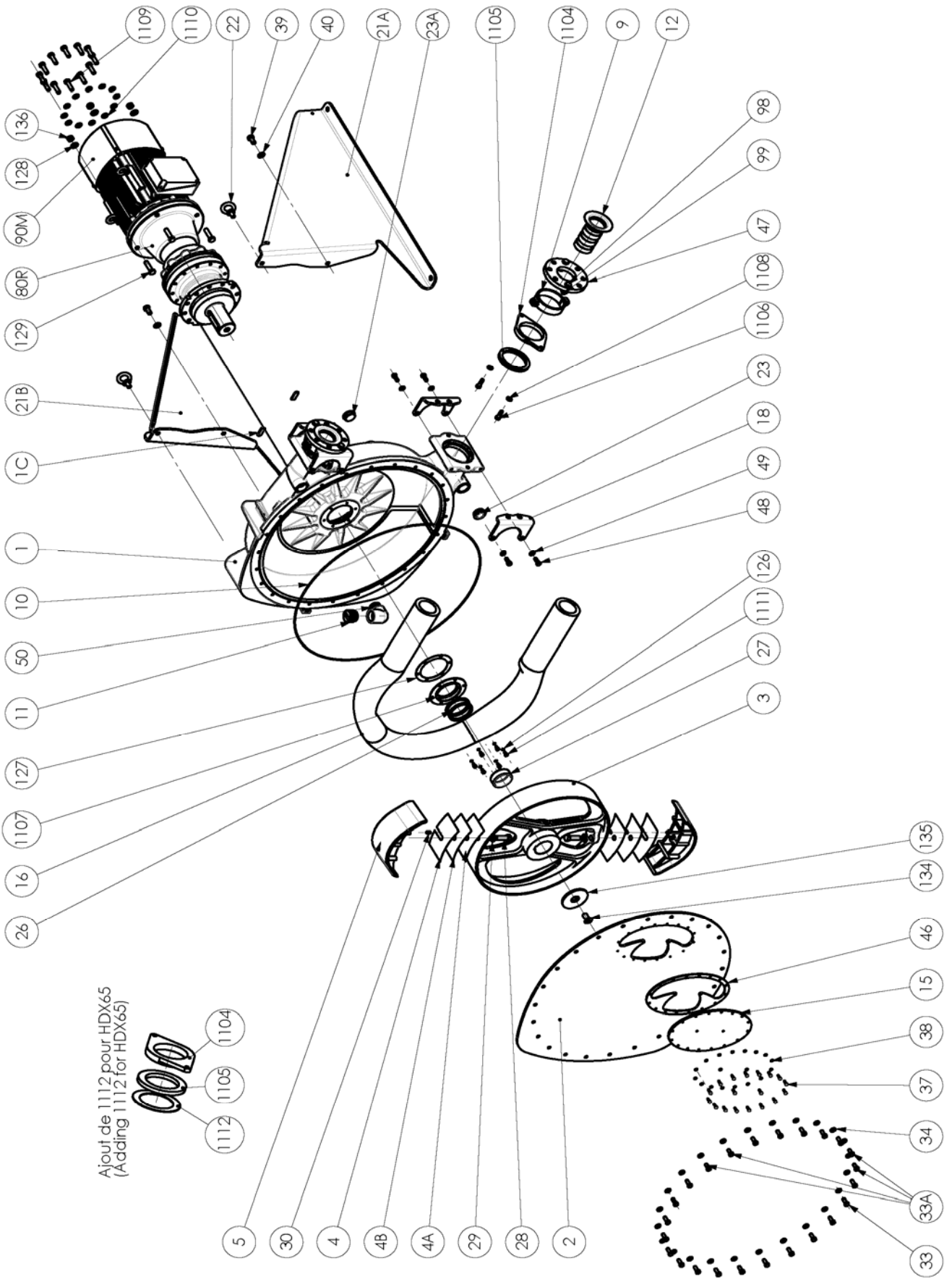
To order the required spare parts, indicate the desired Reference(s).

- ◆ Sets of parts or parts available to order.

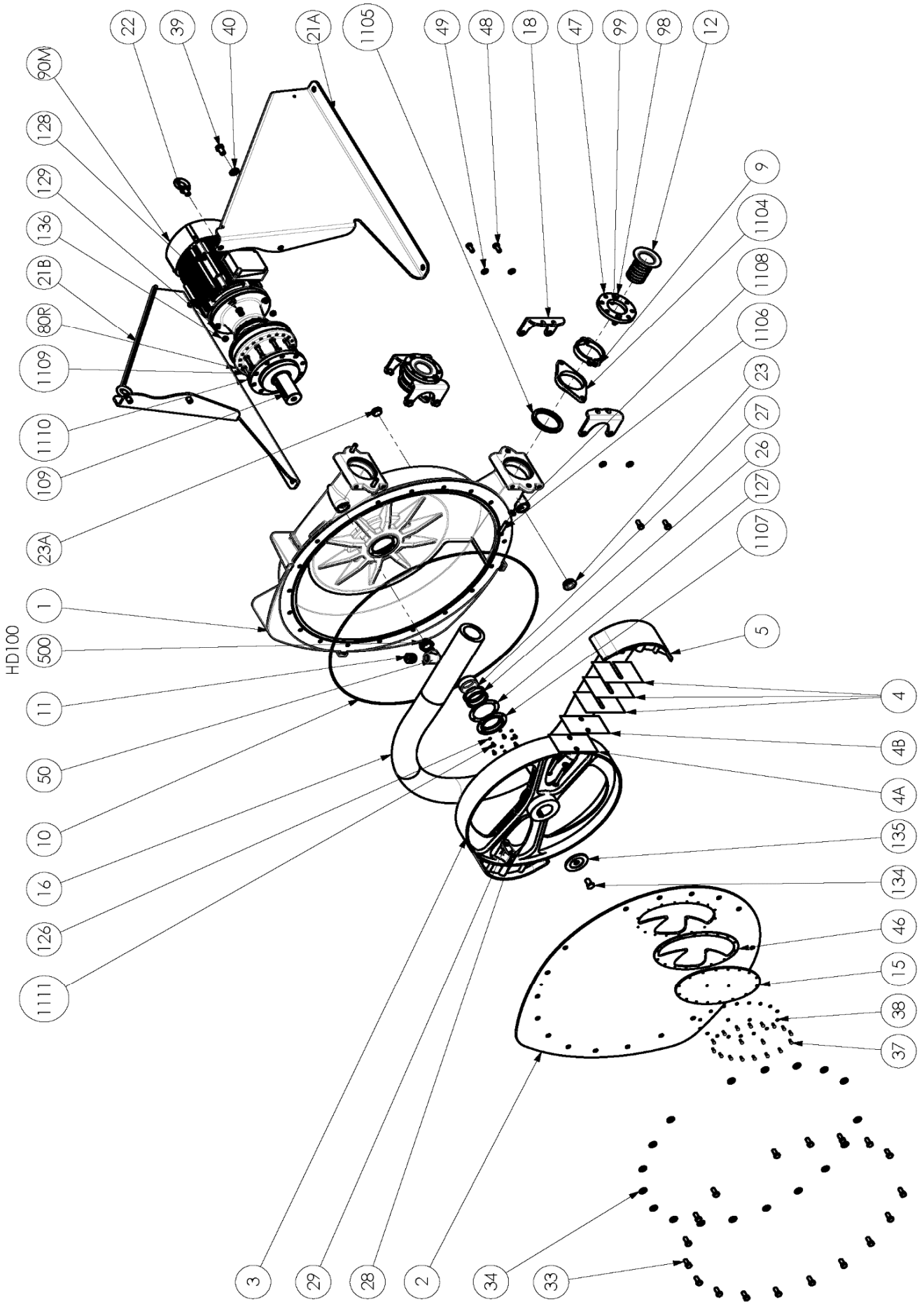
HD50 - HD65



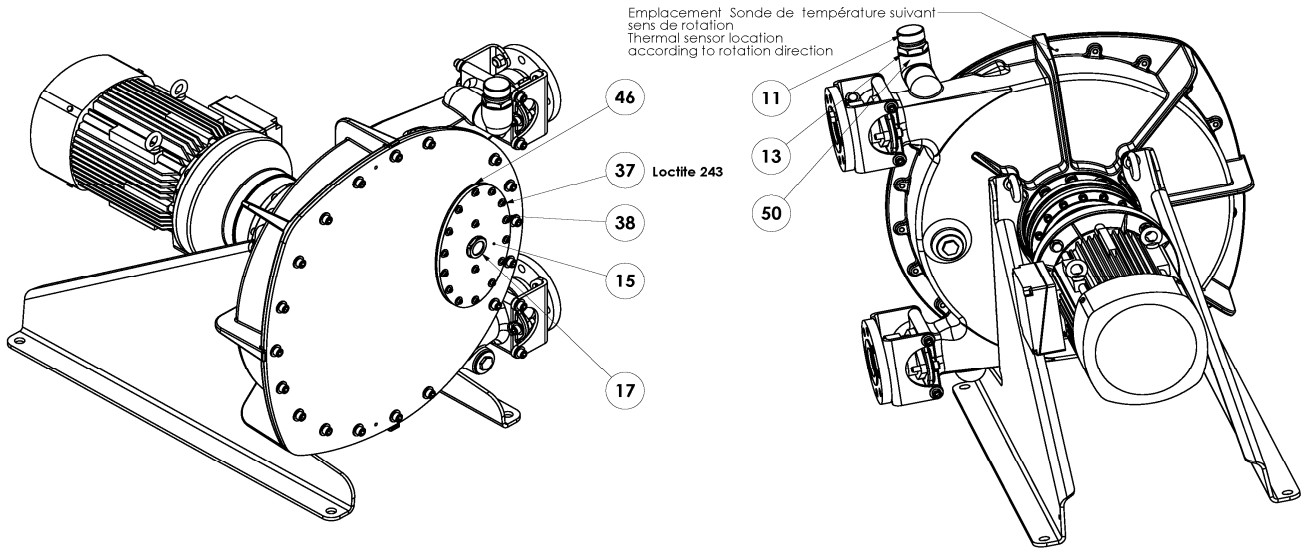
HDX65 - HDX80



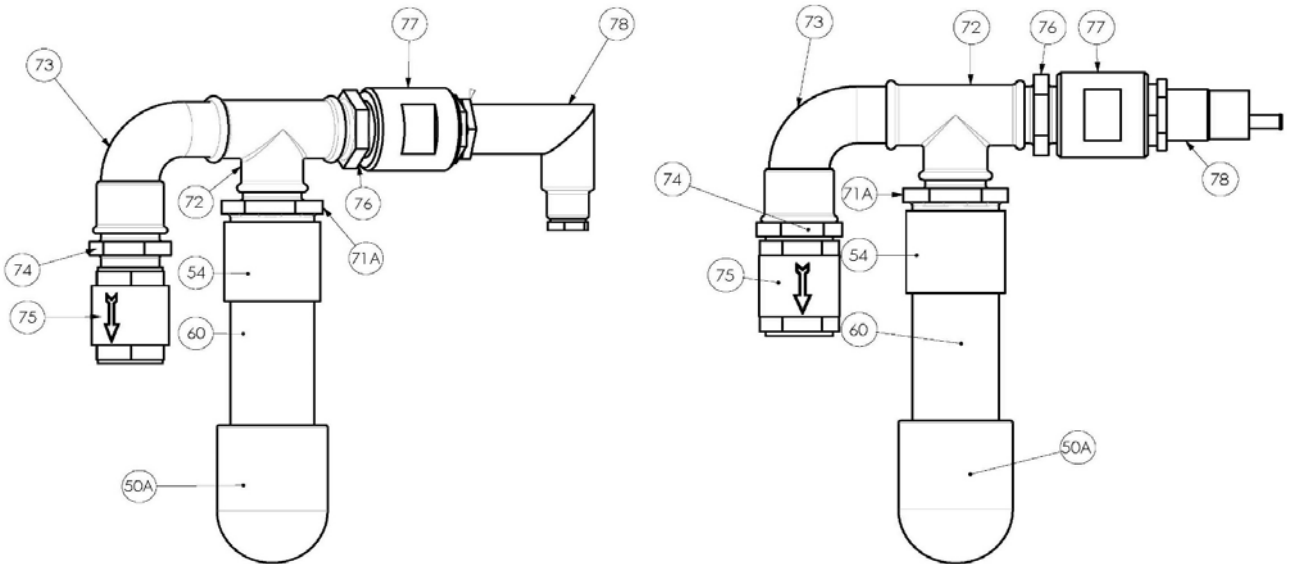
HD80 - HD100



ATEX



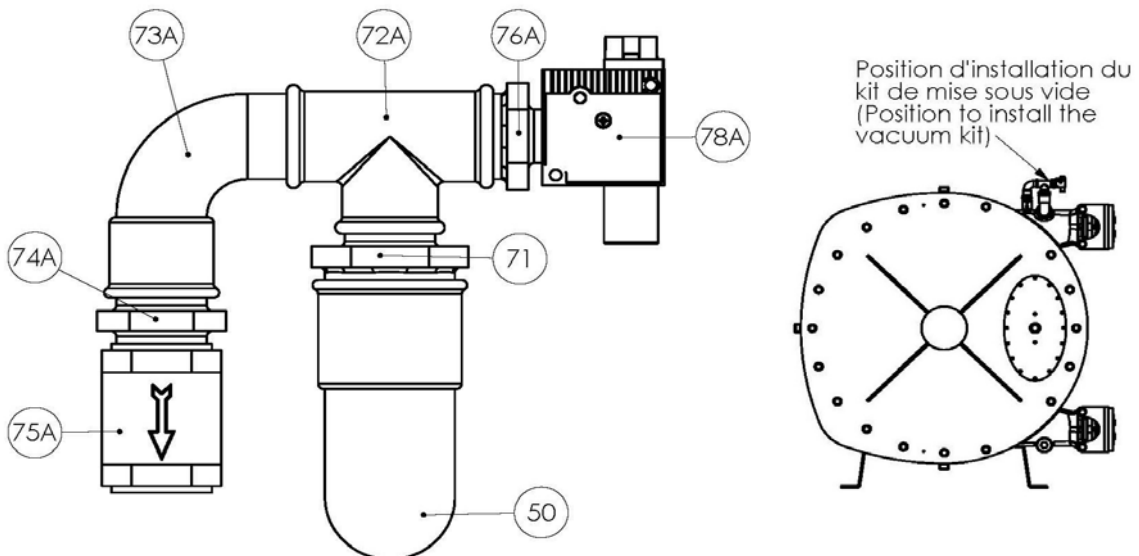
PUNCTURE DETECTION KIT



Standard

ATEX

EJECTOR VACUUM KIT



Position d'installation du kit de mise sous vide
(Position to install the vacuum kit)

HD50

* 1, 2, 4... : Quantity in equipment - (1), (2), (4)... : Quantity in kit

| Item | Available | Description | Qty* | Ref. | Maintenance kit | Wear part |
|------|-----------|--|------|-----------|-----------------|-----------|
| 2 | ◆ | COVER HD50 HD65 | 1 | 230793 | | |
| 3 | ◆ | WHEEL HD65-HD50 | 1 | 230801 | | |
| 9 | ◆ | HOSE CLAMP | 2 | 217087 | | |
| 10 | ◆ | COVER SEAL A50 A65 HD50 HD65 FKM | 1 | 220117 | | ● |
| 12 | ◆ | INSERT HD50 STAINLESS STEEL | 2 | 217316 | | |
| 12 | ◆ | INSERT HD50 PPH | 2 | 217317 | | |
| 12 | ◆ | INSERT HD50 PVDF | 2 | 217318 | | |
| 16 | ◆ | HOSE A50 HD50 EPDM | 1 | 218735 | ■ | ● |
| 16 | ◆ | HOSE HD50 HYPALON | 1 | 231553 | ■ | ● |
| 16 | ◆ | HOSE A50 HD50 NBR | 1 | 218734 | ■ | ● |
| 16 | ◆ | HOSE A50 HD50 NBR-FDA | 1 | 229483 | ■ | ● |
| 16 | ◆ | HOSE A50 HD50 NR | 1 | 218733 | ■ | ● |
| 16 | ◆ | HOSE A50 HD50 NR FDA 1935_2004 | 1 | 237401 | ■ | ● |
| 16 | ◆ | HOSE HD50 EPDM (ATEX) | 1 | 234478 | ■ | ● |
| 16 | ◆ | HOSE HD50 NR (ATEX) | 1 | 234479 | ■ | ● |
| 18 | ◆ | BRACKET HD50 | 4 | 230942 | | |
| 19 | ◆ | EXPANSABLE TAPER LOCK | 1 | 231090 | | |
| 26 | ◆ | SHAFT SEAL | 2 | 231715 | | |
| 27 | ◆ | SEAL RING (CLOSE COUPLING BORE 60) | 1 | 219061 | | |
| 59 | ◆ | KIT WINDOW ATEX HD50_HD65 | 1 | 317898.00 | | |
| 59 | ◆ | KIT WINDOW HD50_HD65 | 1 | 317897.00 | | |
| 15 | | WINDOW HD50 HD65 | (1) | | | |
| 17 | | OIL LEVEL INDICATOR (ATEX) | (1) | | | |
| 37 | | SCREW | (16) | | | |
| 38 | | SEAL WASHER | (16) | | | |
| 46 | ◆ | WINDOW SEAL HD50-65 | 1 | 230957 | | |
| 114 | ◆ | SET OF SHIMS | 1 | 312360.00 | | |
| 4 | | REMOVABLE SHIM | (12) | | | |
| 119 | ◆ | SET OF IRON SHOES HD50 | 1 | 317161.00 | | |
| 4A | | FIXED SHIM | (3) | | | |
| 4B | | FIXED SHIM | (3) | | | |
| 5 | | SHOE HD50 | (2) | | | |
| 30 | | PIN | (2) | | | |
| 127 | ◆ | SEAL | 1 | 231207 | | ● |
| 130 | ◆ | PUNCTURE DETECTION KIT ATEX HD50 HD65 | 1 | 318574.00 | | |
| 130 | ◆ | PUNCTURE DETECTION KIT HD50 HD65 | 1 | 318573.00 | | |
| 50A | | ELBOW | (1) | | | |
| 54 | | NIPPLE | (1) | | | |
| 60 | | NIPPLE | (1) | | | |
| 71A | | NIPPLE | (1) | | | |
| 72 | | T JUNCTION | (1) | | | |
| 73 | | ELBOW 90° | (1) | | | |
| 74 | | NIPPLE | (1) | | | |
| 75 | | VALVE | (1) | | | |
| 76 | | NIPPLE | (1) | | | |
| 77 | | SLEEVE | (1) | | | |
| 78 | | CAPACITIVE DETECTOR | (1) | | | |
| 84 | | AMPLIFIER (WITH ATEX KIT) | (1) | | | |
| 131 | ◆ | EJECTOR VACUUM KIT FOR HD50 HD65 PUMPS | 1 | 317168.00 | | |
| 71 | | NIPPLE | (1) | | | |
| 72A | | T JUNCTION | (1) | | | |
| 73A | | ELBOW 90° | (1) | | | |
| 74A | | NIPPLE | (1) | | | |
| 75A | | VALVE | (1) | | | |
| 76A | | NIPPLE | (1) | | | |
| 78A | ◆ | EJECTOR | 1 | 217749 | | |

HD50

* 1, 2,4... : Quantity in equipment - (1), (2), (4)... : Quantity in kit

| Item | Available | Description | Qty* | Ref. | Maintenance kit | Wear part |
|-------|-----------|---|------|-----------|-----------------|-----------|
| 211 | ◆ | KIT CONNECTOR ATEX HD50 TO HD80 | 1 | 317824.00 | | |
| 211 | ◆ | KIT CONNECTOR HD50 TO HD80 | 1 | 317160.00 | | |
| 11 | | PLUG | (1) | | | |
| 13 | | SEAL (WITH ATEX KIT) | (1) | | | |
| 50 | | ELBOW | (1) | | | |
| 1100F | ◆ | LUBRICANT - GLYCERIN (CAN 10L) | 1 | 314223.00 | ■ | ● |
| 1100L | ◆ | LUBRICANT - GLYCERIN (CAN 2,5L) | 1 | 314829.00 | | ● |
| 1100F | ◆ | LUBRICANT - FOOD GRADE GLYCERIN (CAN 10L) | 1 | 318795.00 | ■ | ● |
| 1100M | ◆ | LUBRICANT - FOOD GRADE GLYCERIN (CAN 5L) | 1 | 318794.00 | | ● |
| 1105A | ◆ | PRESSING GLAND SEALS KIT FOR HD50 | 1 | 317726.00 | ■ | |
| 1105 | | PRESSING GLAND SEAL FOR HD50 | (2) | | | |
| 1112 | | WASHER | (2) | | | |

HD65

* 1, 2, 4... : Quantity in equipment - (1), (2), (4)... : Quantity in kit

| Item | Available | Description | Qty* | Ref. | Maintenance kit | Wear part |
|------|-----------|--|------|-----------|-----------------|-----------|
| 2 | ◆ | COVER HD50 HD65 | 1 | 230793 | | |
| 3 | ◆ | WHEEL HD65-HD50 | 1 | 230801 | | |
| 9 | ◆ | HOSE CLAMP | 2 | 217087 | | |
| 10 | ◆ | COVER SEAL A50 A65 HD50 HD65 FKM | 1 | 220117 | | ● |
| 12 | ◆ | INSERT A65 HD65 STAINLESS STEEL | 2 | 217319 | | |
| 12 | ◆ | INSERT A65 HD65 PPH | 2 | 217320 | | |
| 12 | ◆ | INSERT A65 HD65 PVDF | 2 | 217321 | | |
| 16 | ◆ | HOSE A65 HD65 EPDM | 1 | 218738 | ■ | ● |
| 16 | ◆ | HOSE HD65 HYPALON | 1 | 231554 | ■ | ● |
| 16 | ◆ | HOSE A65 HD65 NBR | 1 | 218737 | ■ | ● |
| 16 | ◆ | HOSE A65 HD65 NBR-FDA | 1 | 229155 | ■ | ● |
| 16 | ◆ | HOSE A65 HD65 NR | 1 | 218736 | ■ | ● |
| 16 | ◆ | HOSE A65 HD65 NR FDA 1935_2004 | 1 | 237402 | ■ | ● |
| 16 | ◆ | HOSE HD65 EPDM (ATEX) | 1 | 234476 | ■ | ● |
| 16 | ◆ | HOSE HD65 NR (ATEX) | 1 | 234477 | ■ | ● |
| 18 | ◆ | BRACKET HD65 | 4 | 230794 | | |
| 19 | ◆ | EXPANSABLE TAPER LOCK | 1 | 231090 | | |
| 26 | ◆ | SHAFT SEAL | 2 | 231715 | | |
| 27 | ◆ | SEAL RING (CLOSE COUPLING BORE 60) | 1 | 219061 | | |
| 59 | ◆ | KIT WINDOW ATEX HD50_HD65 | 1 | 317898.00 | | |
| 59 | ◆ | KIT WINDOW HD50_HD65 | 1 | 317897.00 | | |
| 15 | | WINDOW HD50 HD65 | (1) | | | |
| 17 | | OIL LEVEL INDICATOR (ATEX) | (1) | | | |
| 37 | | SCREW | (16) | | | |
| 38 | | SEAL WASHER | (16) | | | |
| 46 | ◆ | WINDOW SEAL HD50-65 | 1 | 230957 | | |
| 114 | ◆ | SET OF SHIMS | 1 | 312360.00 | | |
| 4 | | REMOVABLE SHIM | (12) | | | |
| 119 | ◆ | SET OF IRON SHOES A65 HD65 | 1 | 317164.00 | | |
| 4A | | FIXED SHIM | (4) | | | |
| 4B | | FIXED SHIM | (4) | | | |
| 5 | | SHOE HD65 | (2) | | | |
| 30 | | PIN | (2) | | | |
| 127 | ◆ | SEAL | 1 | 231207 | | ● |
| 130 | ◆ | PUNCTURE DETECTION KIT ATEX HD50 HD65 | 1 | 318574.00 | | |
| 130 | ◆ | PUNCTURE DETECTION KIT HD50 HD65 | 1 | 318573.00 | | |
| 50A | | ELBOW | (1) | | | |
| 54 | | NIPPLE | (1) | | | |
| 60 | | NIPPLE | (1) | | | |
| 71A | | NIPPLE | (1) | | | |
| 72 | | T JUNCTION | (1) | | | |
| 73 | | ELBOW 90° | (1) | | | |
| 74 | | NIPPLE | (1) | | | |
| 75 | | VALVE | (1) | | | |
| 76 | | NIPPLE | (1) | | | |
| 77 | | SLEEVE | (1) | | | |
| 78 | | CAPACITIVE DETECTOR | (1) | | | |
| 84 | | AMPLIFIER (WITH ATEX KIT) | (1) | | | |
| 131 | ◆ | EJECTOR VACUUM KIT FOR HD50 HD65 PUMPS | 1 | 317168.00 | | |
| 71 | | NIPPLE | (1) | | | |
| 72A | | T JUNCTION | (1) | | | |
| 73A | | ELBOW 90° | (1) | | | |
| 74A | | NIPPLE | (1) | | | |
| 75A | | VALVE | (1) | | | |
| 76A | | NIPPLE | (1) | | | |
| 78A | ◆ | EJECTOR | 1 | 217749 | | |

HD65

* 1, 2,4... : Quantity in equipment - (1), (2), (4)... : Quantity in kit

| Item | Available | Description | Qty* | Ref. | Maintenance kit | Wear part |
|-------|-----------|---|------|-----------|-----------------|-----------|
| 211 | ◆ | KIT CONNECTOR ATEX HD50 TO HD80 | 1 | 317824.00 | | |
| 211 | ◆ | KIT CONNECTOR HD50 TO HD80 | 1 | 317160.00 | | |
| 11 | | PLUG | (1) | | | |
| 13 | | SEAL (WITH ATEX KIT) | (1) | | | |
| 50 | | ELBOW | (1) | | | |
| 1100F | ◆ | LUBRICANT - GLYCERIN (CAN 10L) | 1 | 314223.00 | ■ | ● |
| 1100L | ◆ | LUBRICANT - GLYCERIN (CAN 2,5L) | 1 | 314829.00 | | ● |
| 1100F | ◆ | LUBRICANT - FOOD GRADE GLYCERIN (CAN 10L) | 1 | 318795.00 | ■ | ● |
| 1100M | ◆ | LUBRICANT - FOOD GRADE GLYCERIN (CAN 5L) | 1 | 318794.00 | | ● |
| 1105A | ◆ | PRESSING GLAND SEALS KIT FOR HD65 | 1 | 317727.00 | ■ | |
| 1105 | | PRESSING GLAND SEAL FOR HD65 | (2) | | | |

HDX65

* 1, 2, 4... : Quantity in equipment - (1), (2), (4)... : Quantity in kit

| Item | Available | Description | Qty* | Ref. | Maintenance kit | Wear part |
|------|-----------|--|------|-----------|-----------------|-----------|
| 2 | ◆ | COVER HDX65 HDX80 | 1 | 230935 | | |
| 3 | ◆ | WHEEL HDX80 | 1 | 230802 | | |
| 9 | ◆ | HOSE CLAMP | 2 | 217088 | | |
| 10 | ◆ | COVER SEAL AX80 HDX65 HDX80 FKM | 1 | 220202 | | ● |
| 12 | ◆ | INSERT HDX65 PPH | 2 | 217323 | | |
| 12 | ◆ | INSERT HDX65 PVDF | 2 | 217324 | | |
| 12 | ◆ | INSERT HDX65 STAINLESS STEEL | 2 | 232971 | | |
| 16 | ◆ | HOSE AX65 HDX65 EPDM | 1 | 218741 | ■ | ● |
| 16 | ◆ | HOSE HDX65 HYPALON | 1 | 234128 | ■ | ● |
| 16 | ◆ | HOSE AX65 HDX65 NBR | 1 | 218740 | ■ | ● |
| 16 | ◆ | HOSE AX65 HDX65 NBR-FDA | 1 | 229484 | ■ | ● |
| 16 | ◆ | HOSE AX65 HDX65 NR | 1 | 218739 | ■ | ● |
| 16 | ◆ | HOSE AX65 HDX65 NR FDA 1935_2004 | 1 | 237403 | ■ | ● |
| 16 | ◆ | HOSE HDX65 EPDM (ATEX) | 1 | 234472 | ■ | ● |
| 16 | ◆ | HOSE HDX65 NR (ATEX) | 1 | 234473 | ■ | ● |
| 18 | ◆ | BRACKET HDX65 | 4 | 232972 | | |
| 26 | ◆ | SHAFT SEAL | 2 | 235906 | | |
| 27 | ◆ | SEAL RING | 1 | 231943 | | |
| 59 | ◆ | KIT WINDOW HDX65_HDX80 | 1 | 317828.00 | | |
| 59 | ◆ | KIT WINDOW ATEX HDX65_HDX80 | 1 | 317825.00 | | |
| 15 | | WINDOW HDX65 HDX80 | (1) | | | |
| 17 | | OIL LEVEL INDICATOR (ATEX) | (1) | | | |
| 37 | | SCREW | (18) | | | |
| 38 | | SEAL WASHER | (18) | | | |
| 46 | ◆ | WINDOW SEAL HDX65-HDX80 | 1 | 230959 | | |
| 114 | ◆ | SET OF SHIMS | 1 | 312361.00 | | |
| 4 | | REMOVABLE SHIM | (12) | | | |
| 119 | ◆ | SET OF IRON SHOES HDX65 HDX80 | 1 | 317561.01 | | |
| 4A | | FIXED SHIM | (6) | | | |
| 4B | | FIXED SHIM | (4) | | | |
| 5 | | SHOE HDX65 HDX80 | (2) | | | |
| 30 | | PIN | (2) | | | |
| 127 | ◆ | SEAL | 1 | 231697 | | ● |
| 130 | ◆ | PUNCTURE DETECTION KIT ATEX HDX65 TO HD100 | 1 | 317166.00 | | |
| 130 | ◆ | PUNCTURE DETECTION KIT HDX65 TO HD100 | 1 | 317165.00 | | |
| 50A | | ELBOW | (1) | | | |
| 54 | | NIPPLE | (1) | | | |
| 60 | | NIPPLE | (1) | | | |
| 71A | | NIPPLE | (1) | | | |
| 72 | | T JUNCTION | (1) | | | |
| 73 | | ELBOW 90° | (1) | | | |
| 74 | | NIPPLE | (1) | | | |
| 75 | | VALVE | (1) | | | |
| 76 | | NIPPLE | (1) | | | |
| 77 | | SLEEVE | (1) | | | |
| 78 | | CAPACITIVE DETECTOR | (1) | | | |
| 84 | | AMPLIFIER (WITH ATEX KIT) | (1) | | | |

HDX65

* 1, 2,4... : Quantity in equipment - (1), (2), (4)... : Quantity in kit

| Item | Available | Description | Qty* | Ref. | Maintenance kit | Wear part |
|--------------|-----------|--|----------|------------------|-----------------|-----------|
| 133 | ◆ | EJECTOR VACUUM KIT_COVER_KIT WINDOW HDX65 HDX80 | 1 | 318949.00 | | |
| 2A | | COVER HDX65 HDX80 | (1) | | | |
| 59A | | KIT WINDOW ATEX HDX65_ HDX80 | (1) | | | |
| 15 | | WINDOW HDX65 HDX80 | (1) | | | |
| 17 | | OIL LEVEL INDICATOR (ATEX) | (1) | | | |
| 37 | | SCREW | (18) | | | |
| 38 | | SEAL | (18) | | | |
| 46 | ◆ | WINDOW SEAL HDX65-HDX80 | 1 | 230959 | | |
| 131A | | EJECTOR VACUUM KIT FOR HD50 HD65 PUMPS | (1) | | | |
| 71 | | NIPPLE | (1) | | | |
| 72A | | T JUNCTION | (1) | | | |
| 73A | | ELBOW 90° | (1) | | | |
| 74A | | NIPPLE | (1) | | | |
| 75A | | VALVE | (1) | | | |
| 76A | | NIPPLE | (1) | | | |
| 78A | ◆ | EJECTOR | 1 | 217749 | | |
| 211 | ◆ | KIT CONNECTOR ATEX HD50 TO HD80 | 1 | 317824.00 | | |
| 211 | ◆ | KIT CONNECTOR HD50 TO HD80 | 1 | 317160.00 | | |
| 11 | | PLUG | (1) | | | |
| 13 | | SEAL (WITH ATEX KIT) | (1) | | | |
| 50 | | ELBOW | (1) | | | |
| 1100F | ◆ | LUBRICANT - GLYCERIN (CAN 10L) | 2 | 314223.00 | ■ | ● |
| 1100M | ◆ | LUBRICANT - GLYCERIN (CAN 5L) | 1 | 314222.00 | | ● |
| 1100F | ◆ | LUBRICANT - FOOD GRADE GLYCERIN (CAN 10L) | 2 | 318795.00 | ■ | ● |
| 1100M | ◆ | LUBRICANT - FOOD GRADE GLYCERIN (CAN 5L) | 1 | 318794.00 | | ● |
| 1105A | ◆ | PRESSING GLAND SEALS KIT FOR HDX65 | 1 | 318619.00 | ■ | |
| 1105 | | PRESSING GLAND SEAL FOR HDX65 | (2) | | | |
| 1112 | | WASHER | (2) | | | |

HDX80

* 1, 2, 4... : Quantity in equipment - (1), (2), (4)... : Quantity in kit

| Item | Available | Description | Qty* | Ref. | Maintenance kit | Wear part |
|------|-----------|--|------|-----------|-----------------|-----------|
| 2 | ◆ | COVER HDX65 HDX80 | 1 | 230935 | | |
| 3 | ◆ | WHEEL HDX80 | 1 | 230802 | | |
| 9 | ◆ | HOSE CLAMP | 2 | 217088 | | |
| 10 | ◆ | COVER SEAL AX80 HDX65 HDX80 FKM | 1 | 220202 | | ● |
| 12 | ◆ | INSERT A80 STAINLESS STEEL | 2 | 217328 | | |
| 12 | ◆ | INSERT A80 HD80 PPH | 2 | 217329 | | |
| 12 | ◆ | INSERT A80 HD80 PVDF | 2 | 217330 | | |
| 16 | ◆ | HOSE AX80 HDX80 EPDM | 1 | 218744 | ■ | ● |
| 16 | ◆ | HOSE HDX80 HYPALON | 1 | 234127 | ■ | ● |
| 16 | ◆ | HOSE AX80 HDX80 NBR | 1 | 218743 | ■ | ● |
| 16 | ◆ | HOSE AX80 HDX80 NBR-FDA | 1 | 229479 | ■ | ● |
| 16 | ◆ | HOSE AX80 HDX80 NR | 1 | 218742 | ■ | ● |
| 16 | ◆ | HOSE AX80 HDX80 NR FDA 1935_2004 | 1 | 237404 | ■ | ● |
| 16 | ◆ | HOSE HDX80 EPDM (ATEX) | 1 | 234493 | ■ | ● |
| 16 | ◆ | HOSE HDX80 NR (ATEX) | 1 | 234469 | ■ | ● |
| 18 | ◆ | BRACKET HDX80 ANSI | 4 | 232898 | | |
| 18 | ◆ | BRACKET HDX80 ISO | 4 | 230944 | | |
| 26 | ◆ | SHAFT SEAL | 2 | 235906 | | |
| 27 | ◆ | SEAL RING | 1 | 231943 | | |
| 59 | ◆ | KIT WINDOW HDX65_HDX80 | 1 | 317828.00 | | |
| 59 | ◆ | KIT WINDOW ATEX HDX65_HDX80 | 1 | 317825.00 | | |
| 15 | | WINDOW HDX65 HDX80 | (1) | | | |
| 17 | | OIL LEVEL INDICATOR (ATEX) | (1) | | | |
| 37 | | SCREW | (18) | | | |
| 38 | | SEAL WASHER | (18) | | | |
| 46 | ◆ | WINDOW SEAL HDX65-HDX80 | 1 | 230959 | | |
| 114 | ◆ | SET OF SHIMS | 1 | 312361.00 | | |
| 4 | | REMOVABLE SHIM | (12) | | | |
| 119 | ◆ | SET OF IRON SHOES HDX65 HDX80 | 1 | 317561.01 | | |
| 4A | | FIXED SHIM | (6) | | | |
| 4B | | FIXED SHIM | (4) | | | |
| 5 | | SHOE HDX65 HDX80 | (2) | | | |
| 30 | | PIN | (2) | | | |
| 127 | ◆ | SEAL | 1 | 231697 | | ● |
| 130 | ◆ | PUNCTURE DETECTION KIT ATEX HDX65 TO HD100 | 1 | 317166.00 | | |
| 130 | ◆ | PUNCTURE DETECTION KIT HDX65 TO HD100 | 1 | 317165.00 | | |
| 50A | | ELBOW | (1) | | | |
| 54 | | NIPPLE | (1) | | | |
| 60 | | NIPPLE | (1) | | | |
| 71A | | NIPPLE | (1) | | | |
| 72 | | T JUNCTION | (1) | | | |
| 73 | | ELBOW 90° | (1) | | | |
| 74 | | NIPPLE | (1) | | | |
| 75 | | VALVE | (1) | | | |
| 76 | | NIPPLE | (1) | | | |
| 77 | | SLEEVE | (1) | | | |
| 78 | | CAPACITIVE DETECTOR | (1) | | | |
| 84 | | AMPLIFIER (WITH ATEX KIT) | (1) | | | |

HDX80

* 1, 2,4... : Quantity in equipment - (1), (2), (4)... : Quantity in kit

| Item | Available | Description | Qty* | Ref. | Maintenance kit | Wear part |
|--------------|-----------|--|----------|------------------|-----------------|-----------|
| 133 | ◆ | EJECTOR VACUUM KIT_COVER_KIT WINDOW HDX65 HDX80 | 1 | 318949.00 | | |
| 2A | | COVER HDX65 HDX80 | (1) | | | |
| 59A | | KIT WINDOW ATEX HDX65_ HDX80 | (1) | | | |
| 15 | | WINDOW HDX65 HDX80 | (1) | | | |
| 17 | | OIL LEVEL INDICATOR (ATEX) | (1) | | | |
| 37 | | SCREW | (18) | | | |
| 38 | | SEAL | (18) | | | |
| 46 | ◆ | WINDOW SEAL HDX65-HDX80 | 1 | 230959 | | |
| 131A | | EJECTOR VACUUM KIT FOR HD50 HD65 PUMPS | (1) | | | |
| 71 | | NIPPLE | (1) | | | |
| 72A | | T JUNCTION | (1) | | | |
| 73A | | ELBOW 90° | (1) | | | |
| 74A | | NIPPLE | (1) | | | |
| 75A | | VALVE | (1) | | | |
| 76A | | NIPPLE | (1) | | | |
| 78A | ◆ | EJECTOR | 1 | 217749 | | |
| 211 | ◆ | KIT CONNECTOR ATEX HD50 TO HD80 | 1 | 317824.00 | | |
| 211 | ◆ | KIT CONNECTOR HD50 TO HD80 | 1 | 317160.00 | | |
| 11 | | PLUG | (1) | | | |
| 13 | | SEAL (WITH ATEX KIT) | (1) | | | |
| 50 | | ELBOW | (1) | | | |
| 1100F | ◆ | LUBRICANT - GLYCERIN (CAN 10L) | 2 | 314223.00 | ■ | ● |
| 1100M | ◆ | LUBRICANT - GLYCERIN (CAN 5L) | 1 | 314222.00 | | ● |
| 1100F | ◆ | LUBRICANT - FOOD GRADE GLYCERIN (CAN 10L) | 2 | 318795.00 | ■ | ● |
| 1100M | ◆ | LUBRICANT - FOOD GRADE GLYCERIN (CAN 5L) | 1 | 318794.00 | | ● |
| 1105A | ◆ | PRESSING GLAND SEALS KIT FOR HDX80 | 1 | 318620.00 | ■ | |
| 1105 | | PRESSING GLAND SEAL FOR HDX80 | (2) | | | |

HD80

* 1, 2, 4... : Quantity in equipment - (1), (2), (4)... : Quantity in kit

| Item | Available | Description | Qty* | Ref. | Maintenance kit | Wear part |
|------|-----------|--|------|-----------|-----------------|-----------|
| 2 | ◆ | COVER HD80 | 1 | 230934 | | |
| 3 | ◆ | WHEEL HD80 | 1 | 230803 | | |
| 9 | ◆ | HOSE CLAMP | 2 | 217772 | | |
| 10 | ◆ | COVER SEAL A80 HD80 FKM | 1 | 220203 | | ● |
| 12 | ◆ | INSERT A80 HD80 PPH | 2 | 217329 | | |
| 12 | ◆ | INSERT A80 HD80 PVDF | 2 | 217330 | | |
| 12 | ◆ | INSERT HD80 STAINLESS STEEL | 2 | 234018 | | |
| 16 | ◆ | HOSE A80 HD80 EPDM | 1 | 218747 | ■ | ● |
| 16 | ◆ | HOSE HD80 HYPALON | 1 | 232128 | ■ | ● |
| 16 | ◆ | HOSE A80 HD80 NBR | 1 | 218746 | ■ | ● |
| 16 | ◆ | HOSE A80 HD80 NBR-FDA | 1 | 229478 | ■ | ● |
| 16 | ◆ | HOSE A80 HD80 NR | 1 | 218745 | ■ | ● |
| 16 | ◆ | HOSE A80 HD80 NR FDA 1935_2004 | 1 | 237405 | ■ | ● |
| 16 | ◆ | HOSE HD80 EPDM (ATEX) | 1 | 234471 | ■ | ● |
| 16 | ◆ | HOSE HD80 NR (ATEX) | 1 | 234470 | ■ | ● |
| 18 | ◆ | BRACKET HD80 ANSI | 4 | 232297 | | |
| 18 | ◆ | BRACKET HD80 ISO | 4 | 230943 | | |
| 26 | ◆ | SHAFT SEAL | 2 | 235907 | | |
| 27 | ◆ | SEAL RING (CLOSE COUPLING BORE 90) | 1 | 219062 | | |
| 59 | ◆ | KIT WINDOW HD80 | 1 | 317915.00 | | |
| 59 | ◆ | KIT WINDOW ATEX HD80 | 1 | 317916.00 | | |
| 15 | | WINDOW HD80 | (1) | | | |
| 17 | | OIL LEVEL INDICATOR (ATEX) | (1) | | | |
| 37 | | SCREW | (18) | | | |
| 38 | | SEAL WASHER | (18) | | | |
| 46 | ◆ | WINDOW SEAL HD80 | 1 | 230958 | | |
| 114 | ◆ | SET OF SHIMS | 1 | 312362.00 | | |
| 4 | | REMOVABLE SHIM | (14) | | | |
| 119 | ◆ | SET OF IRON SHOES A80 HD80 | 1 | 317565.00 | | |
| 4A | | FIXED SHIM | (6) | | | |
| 4B | | FIXED SHIM | (4) | | | |
| 5 | | SHOE HD80 | (2) | | | |
| 127 | ◆ | SEAL | 1 | 231697 | | ● |
| 130 | ◆ | PUNCTURE DETECTION KIT ATEX HDX65 TO HD100 | 1 | 317166.00 | | |
| 130 | ◆ | PUNCTURE DETECTION KIT HDX65 TO HD100 | 1 | 317165.00 | | |
| 50A | | ELBOW | (1) | | | |
| 54 | | NIPPLE | (1) | | | |
| 60 | | NIPPLE | (1) | | | |
| 71A | | NIPPLE | (1) | | | |
| 72 | | T JUNCTION | (1) | | | |
| 73 | | ELBOW 90° | (1) | | | |
| 74 | | NIPPLE | (1) | | | |
| 75 | | VALVE | (1) | | | |
| 76 | | NIPPLE | (1) | | | |
| 77 | | SLEEVE | (1) | | | |
| 78 | | CAPACITIVE DETECTOR | (1) | | | |
| 84 | | AMPLIFIER (WITH ATEX KIT) | (1) | | | |

HD80

* 1, 2,4... : Quantity in equipment - (1), (2), (4)... : Quantity in kit

| Item | Available | Description | Qty* | Ref. | Maintenance kit | Wear part |
|--------------|-----------|--|----------|------------------|-----------------|-----------|
| 133 | ◆ | EJECTOR VACUUM KIT_COVER_KIT WINDOW HD80 | 1 | 318937.00 | | |
| 2A | | COVER HD80 | (1) | | | |
| 59A | | KIT WINDOW ATEX HD80 | (1) | | | |
| 15 | | WINDOW HD80 | (1) | | | |
| 17 | | OIL LEVEL INDICATOR (ATEX) | (1) | | | |
| 37 | | SCREW | (18) | | | |
| 38 | | SEAL | (18) | | | |
| 46 | ◆ | WINDOW SEAL HD80 | 1 | 230958 | | |
| 131A | | EJECTOR VACUUM KIT FOR HD50 HD65 PUMPS | (1) | | | |
| 71 | | NIPPLE | (1) | | | |
| 72A | | T JUNCTION | (1) | | | |
| 73A | | ELBOW 90° | (1) | | | |
| 74A | | NIPPLE | (1) | | | |
| 75A | | VALVE | (1) | | | |
| 76A | | NIPPLE | (1) | | | |
| 78A | ◆ | EJECTOR | 1 | 217749 | | |
| 211 | ◆ | KIT CONNECTOR ATEX HD50 TO HD80 | 1 | 317824.00 | | |
| 211 | ◆ | KIT CONNECTOR HD50 TO HD80 | 1 | 317160.00 | | |
| 11 | | PLUG | (1) | | | |
| 13 | | SEAL (WITH ATEX KIT) | (1) | | | |
| 50 | | ELBOW | (1) | | | |
| 1100F | ◆ | LUBRICANT - GLYCERIN (CAN 10L) | 1 | 314223.00 | ■ | ● |
| 1100G | ◆ | LUBRICANT - GLYCERIN (CAN 30L) | 1 | 314224.00 | ■ | ● |
| 1100F | ◆ | LUBRICANT - FOOD GRADE GLYCERIN (CAN 10L) | 4 | 318795.00 | ■ | ● |
| 1105A | ◆ | PRESSING GLAND SEALS KIT FOR HD80 | 1 | 318621.00 | ■ | |
| 1105 | | PRESSING GLAND SEAL FOR HD80 | (2) | | | |

HD100

* 1, 2, 4... : Quantity in equipment - (1), (2), (4)... : Quantity in kit

| Item | Available | Description | Qty* | Ref. | Maintenance kit | Wear part |
|------|-----------|--|------|-----------|-----------------|-----------|
| 2 | ◆ | COVER HD100 | 1 | 230936 | | |
| 3 | ◆ | WHEEL HD100 | 1 | 230804 | | |
| 9 | ◆ | HOSE CLAMP | 2 | 219747 | | |
| 10 | ◆ | COVER SEAL A100 HD100 FKM | 1 | 220204 | | ● |
| 12 | ◆ | INSERT A100 HD100 STAINLESS STEEL | 2 | 217331 | | |
| 12 | ◆ | INSERT A100 HD100 PPH | 2 | 217332 | | |
| 12 | ◆ | INSERT A100 HD100 PVDF | 2 | 217333 | | |
| 16 | ◆ | HOSE A100 HD100 EPDM | 1 | 218750 | ■ | ● |
| 16 | ◆ | HOSE HD100 HYPALON | 1 | 234126 | ■ | ● |
| 16 | ◆ | HOSE A100 HD100 NBR | 1 | 218749 | ■ | ● |
| 16 | ◆ | HOSE A100 HD100 NBR-FDA | 1 | 229480 | ■ | ● |
| 16 | ◆ | HOSE A100 HD100 NR | 1 | 218748 | ■ | ● |
| 16 | ◆ | HOSE A100 HD100 NR FDA 1935_2004 | 1 | 237406 | ■ | ● |
| 16 | ◆ | HOSE HD100 EPDM (ATEX) | 1 | 234468 | ■ | ● |
| 16 | ◆ | HOSE HD100 NR (ATEX) | 1 | 234467 | ■ | ● |
| 18 | ◆ | BRACKET HD100 | 4 | 230945 | | |
| 26 | ◆ | SHAFT SEAL | 2 | 235907 | | |
| 27 | ◆ | SEAL RING (CLOSE COUPLING BORE 90) | 1 | 219062 | | |
| 59 | ◆ | KIT WINDOW HD100 | 1 | 317899.00 | | |
| 59 | ◆ | KIT WINDOW ATEX HD100 | 1 | 317900.00 | | |
| 15 | | WINDOW HD100 | (1) | | | |
| 17 | | OIL LEVEL INDICATOR (ATEX) | (1) | | | |
| 37 | | SCREW | (18) | | | |
| 38 | | SEAL WASHER | (18) | | | |
| 46 | ◆ | WINDOW SEAL HD100 | 1 | 230960 | | |
| 114 | ◆ | SET OF SHIMS | 1 | 312363.00 | | |
| 4 | | REMOVABLE SHIM | (14) | | | |
| 119 | ◆ | SET OF IRON SHOES A100 HD100 | 1 | 317367.00 | | |
| 4A | | FIXED SHIM | (6) | | | |
| 4B | | FIXED SHIM | (4) | | | |
| 5 | | SHOE HD100 | (2) | | | |
| 127 | ◆ | SEAL | 1 | 231697 | | ● |
| 130 | ◆ | PUNCTURE DETECTION KIT ATEX HDX65 TO HD100 | 1 | 317166.00 | | |
| 130 | ◆ | PUNCTURE DETECTION KIT HDX65 TO HD100 | 1 | 317165.00 | | |
| 50A | | ELBOW | (1) | | | |
| 54 | | NIPPLE | (1) | | | |
| 60 | | NIPPLE | (1) | | | |
| 71A | | NIPPLE | (1) | | | |
| 72 | | T JUNCTION | (1) | | | |
| 73 | | ELBOW 90° | (1) | | | |
| 74 | | NIPPLE | (1) | | | |
| 75 | | VALVE | (1) | | | |
| 76 | | NIPPLE | (1) | | | |
| 77 | | SLEEVE | (1) | | | |
| 78 | | CAPACITIVE DETECTOR | (1) | | | |
| 84 | | AMPLIFIER (WITH ATEX KIT) | (1) | | | |

HD100

* 1, 2,4... : Quantity in equipment - (1), (2), (4)... : Quantity in kit

| Item | Available | Description | Qty* | Ref. | Maintenance kit | Wear part |
|--------------|-----------|--|----------|------------------|-----------------|-----------|
| 133 | ◆ | EJECTOR VACUUM KIT_COVER_KIT WINDOW HD100 | 1 | 318948.00 | | |
| 2A | | COVER HD100 | (1) | | | |
| 59A | | KIT WINDOW ATEX HD100 | (1) | | | |
| 15 | | WINDOW HD100 | (1) | | | |
| 17 | | OIL LEVEL INDICATOR (ATEX) | (1) | | | |
| 37 | | SCREW | (18) | | | |
| 38 | | SEAL | (18) | | | |
| 46 | ◆ | WINDOW SEAL HD100 | 1 | 230960 | | |
| 131A | | EJECTOR VACUUM KIT FOR HD50 HD65 PUMPS | (1) | | | |
| 71 | | NIPPLE | (1) | | | |
| 72A | | T JUNCTION | (1) | | | |
| 73A | | ELBOW 90° | (1) | | | |
| 74A | | NIPPLE | (1) | | | |
| 75A | | VALVE | (1) | | | |
| 76A | | NIPPLE | (1) | | | |
| 78A | ◆ | EJECTOR | 1 | 217749 | | |
| 211 | ◆ | KIT CONNECTOR ATEX HD100 | 1 | 318576.00 | | |
| 211 | ◆ | KIT CONNECTOR HD100 | 1 | 318575.00 | | |
| 11 | | PLUG | (1) | | | |
| 13 | | SEAL (WITH ATEX KIT) | (1) | | | |
| 50 | | ELBOW | (1) | | | |
| 500 | | REDUCER | (1) | | | |
| 1100G | ◆ | LUBRICANT - GLYCERIN (CAN 30L) | 2 | 314224.00 | ■ | ● |
| 1100N | ◆ | LUBRICANT - GLYCERIN (CAN 10L) | 1 | 314223.00 | | ● |
| 1100N | ◆ | LUBRICANT - FOOD GRADE GLYCERIN (CAN 10L) | 7 | 318795.00 | ■ | ● |
| 1105A | ◆ | PRESSING GLAND SEALS KIT FOR HD100 | 1 | 318622.00 | ■ | |
| 1105 | | PRESSING GLAND SEAL FOR HD100 | (2) | | | |