

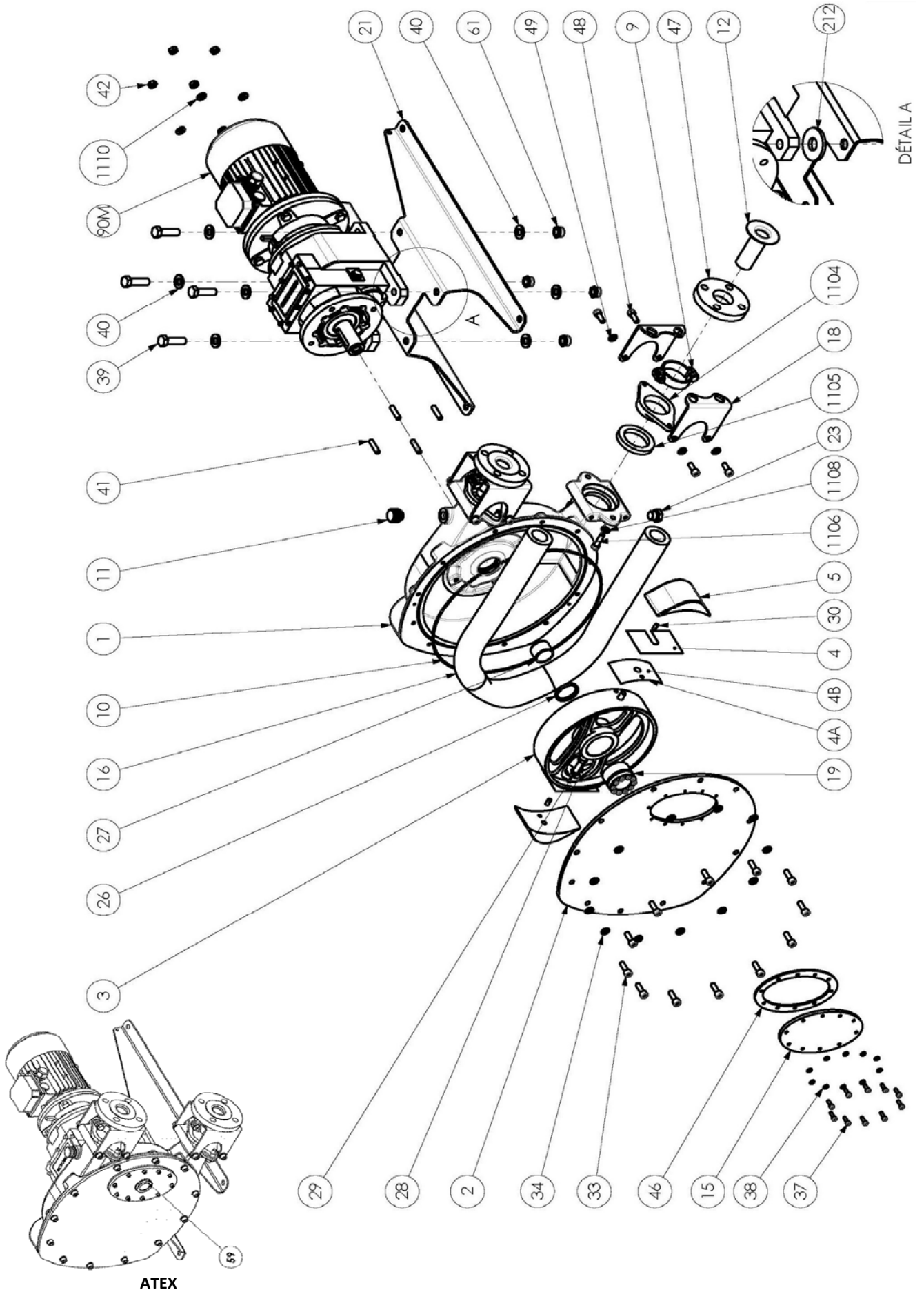
PARTS LIST
PUMPS
HD25 - HD32 - HD40 - HDX40

Keep this parts lists with Installation, Operation and Maintenance Instructions.

To order the required spare parts, indicate the desired Reference(s).

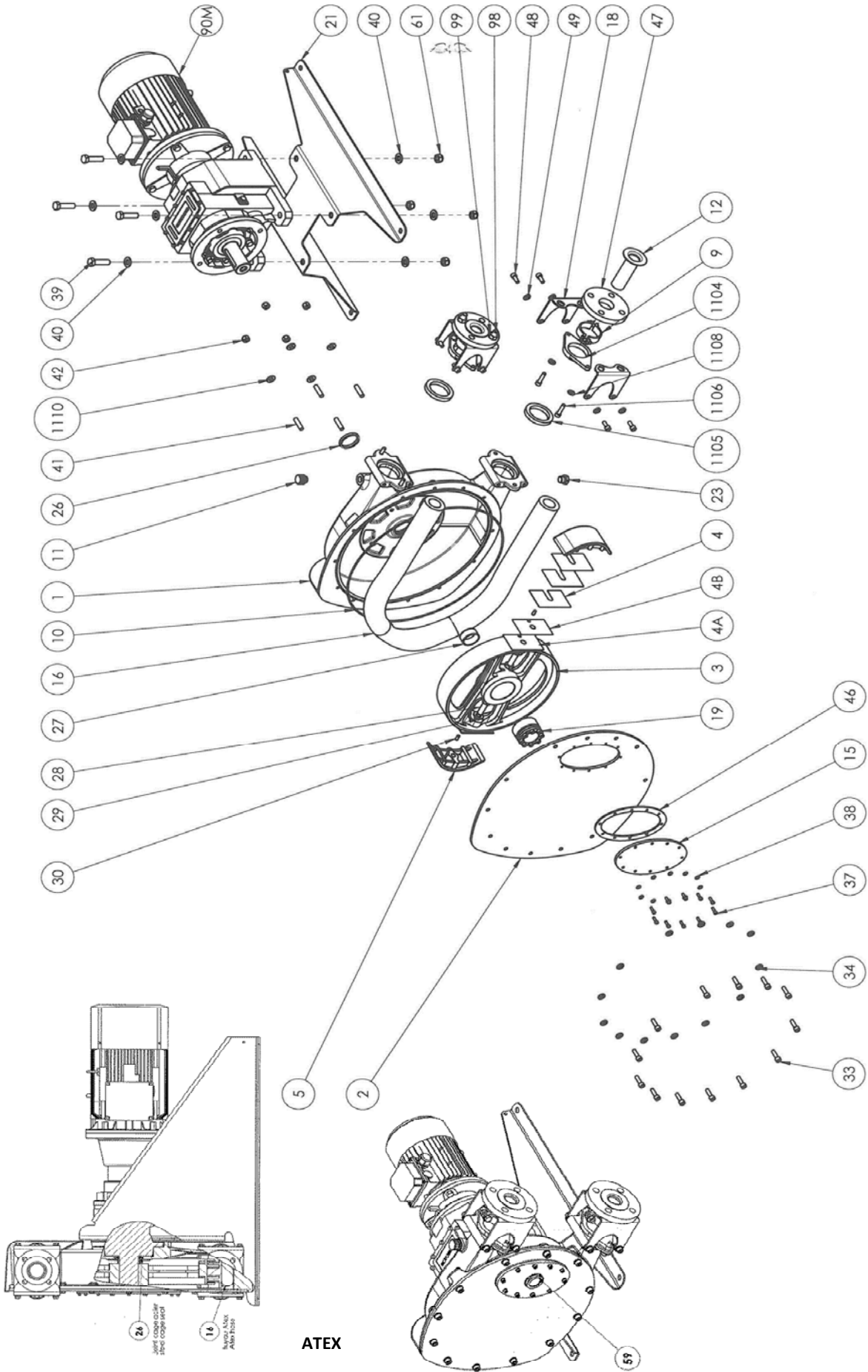
- ◆ Sets of parts or parts available to order.

HD25 - HD32 - HD40



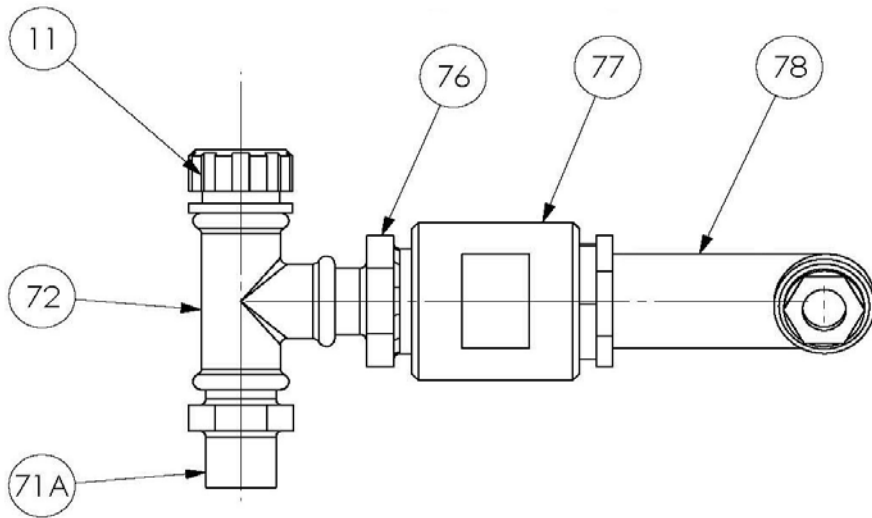
ATEX

HDX40

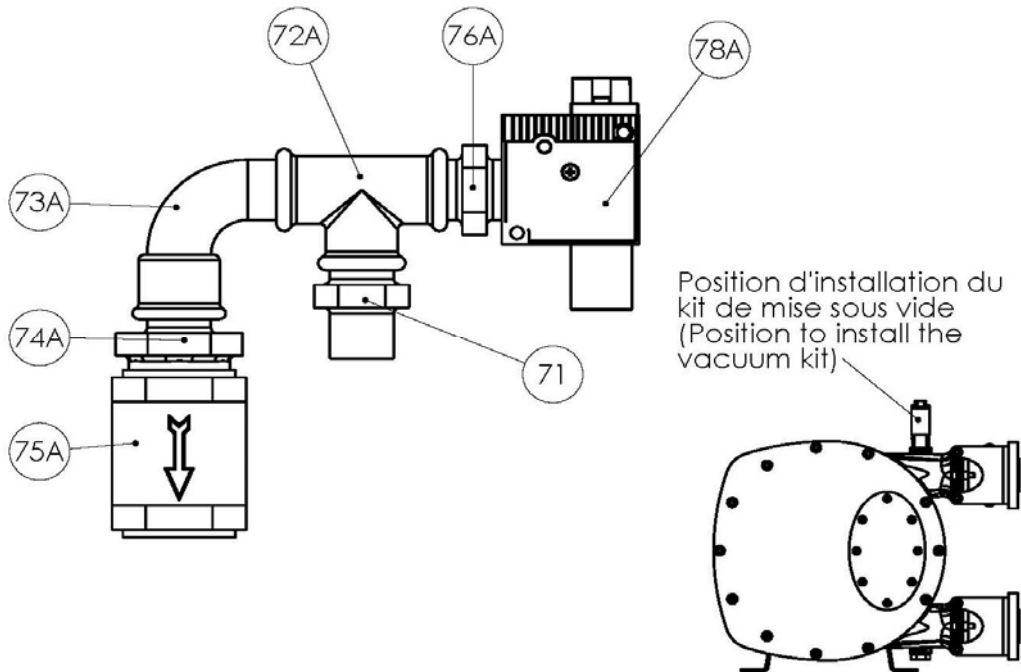


ATEX

PUNCTURE DETECTION KIT



EJECTOR VACUUM KIT



HD25

* 1, 2, 4... : Quantity in equipment - (1), (2), (4)... : Quantity in kit

| Item | Available | Description | Qty* | Ref. | Maintenance kit | Wear part |
|-------|-----------|--|------|-----------|-----------------|-----------|
| 2 | ◆ | COVER HD25 | 1 | 230931 | | |
| 3 | ◆ | WHEEL HD25 | 1 | 230798 | | |
| 9 | ◆ | HOSE CLAMP AND SCREWS | 2 | 319313.00 | | |
| 10 | ◆ | COVER SEAL A25 HD25 FKM | 1 | 220200 | | ● |
| 12 | ◆ | INSERT A25 HD25 STAINLESS STEEL | 2 | 217461 | | |
| 12 | ◆ | INSERT A25 HD25 PPH | 2 | 217052 | | |
| 12 | ◆ | INSERT A25 HD25 PVDF | 2 | 217053 | | |
| 16 | ◆ | HOSE A25 HD25 EPDM | 1 | 218723 | ■ | ● |
| 16 | ◆ | HOSE HD25 HYPALON | 1 | 231591 | ■ | ● |
| 16 | ◆ | HOSE A25 HD25 NBR | 1 | 218722 | ■ | ● |
| 16 | ◆ | HOSE A25 HD25 NBR-FDA | 1 | 229476 | ■ | ● |
| 16 | ◆ | HOSE A25 HD25 NR | 1 | 218721 | ■ | ● |
| 16 | ◆ | HOSE A25 HD25 NR FDA 1935_2004 | 1 | 237397 | ■ | ● |
| 16 | ◆ | HOSE HD25 EPDM (ATEX) | 1 | 234484 | ■ | ● |
| 16 | ◆ | HOSE HD25 NR (ATEX) | 1 | 234485 | ■ | ● |
| 18 | ◆ | BRACKET HD25 | 4 | 230939 | | |
| 19 | ◆ | EXPANSABLE TAPER LOCK | 1 | 230979 | | |
| 26 | ◆ | SHAFT SEAL | 1 | 231780 | | |
| 27 | ◆ | SEAL RING | 1 | 231532 | | |
| 59 | ◆ | KIT WINDOW ATEX HD25 | 1 | 317921.00 | | |
| 59 | ◆ | KIT WINDOW HD25 | 1 | 317920.00 | | |
| 15 | | WINDOW HD25 | (1) | | | |
| 17 | | OIL LEVEL INDICATOR (ATEX) | (1) | | | |
| 37 | | SCREW | (8) | | | |
| 38 | | SEAL WASHER | (8) | | | |
| 46 | ◆ | WINDOW SEAL HD25 | 1 | 230954 | | |
| 114 | ◆ | SET OF SHIMS | 1 | 312357.00 | | |
| 4 | | REMOVABLE SHIM | (12) | | | |
| 119 | ◆ | SET OF ALUMINIUM SHOES A25 HD25 | 1 | 312788.00 | | |
| 5 | | SHOE | (2) | | | |
| 30 | | PIN | (2) | | | |
| 130 | ◆ | PUNCTURE DETECTION KIT ATEX HD10 TO HDX40 | 1 | 317990.00 | | |
| 130 | ◆ | PUNCTURE DETECTION KIT HD10 TO HDX40 | 1 | 317989.00 | | |
| 71A | | NIPPLE | (1) | | | |
| 72 | | TEE | (1) | | | |
| 76 | | NIPPLE | (1) | | | |
| 77 | | SLEEVE | (1) | | | |
| 78 | | CAPACITIVE DETECTOR | (1) | | | |
| 84 | | AMPLIFIER (WITH ATEX KIT) | (1) | | | |
| 131 | ◆ | EJECTOR VACUUM KIT FOR HD25 TO HDX40 PUMPS | 1 | 318208.00 | | |
| 71 | | NIPPLE | (1) | | | |
| 72A | | TEE | (1) | | | |
| 73A | | NIPPLE | (1) | | | |
| 74A | | NIPPLE | (1) | | | |
| 75A | | VALVE | (1) | | | |
| 76A | | NIPPLE | (1) | | | |
| 78A | ◆ | EJECTOR | 1 | 217749 | | |
| 1100C | ◆ | LUBRICANT - GLYCERIN (CAN 2L) | 1 | 314221.00 | ■ | ● |
| 1100J | ◆ | LUBRICANT - GLYCERIN (CAN 1L) | 1 | 314220.00 | | ● |
| 1100J | ◆ | LUBRICANT - FOOD GRADE GLYCERIN (CAN 1L) | 1 | 318791.00 | ■ | ● |
| 1105A | ◆ | PRESSING GLAND SEALS KIT FOR HD25 | 1 | 317723.00 | ■ | |
| 1105 | | PRESSING GLAND SEAL FOR HD25 | (2) | | | |

HD32

* 1, 2, 4... : Quantity in equipment - (1), (2), (4)... : Quantity in kit

| Item | Available | Description | Qty* | Ref. | Maintenance kit | Wear part |
|-------|-----------|--|------|-----------|-----------------|-----------|
| 2 | ◆ | COVER HD40 | 1 | 230932 | | |
| 3 | ◆ | WHEEL HD32 HD40 | 1 | 230799 | | |
| 9 | ◆ | HOSE CLAMP | 2 | 217086 | | |
| 10 | ◆ | COVER SEAL A40 HD32 HD40 FKM | 1 | 220201 | | ● |
| 12 | ◆ | INSERT HD32 STAINLESS STEEL | 2 | 233113 | | |
| 12 | ◆ | INSERT HD32 PPH | 2 | 233130 | | |
| 12 | ◆ | INSERT HD32 PVDF | 2 | 233131 | | |
| 16 | ◆ | HOSE A32 HD32 EPDM | 1 | 218726 | ■ | ● |
| 16 | ◆ | HOSE HD32 HYPALON | 1 | 233911 | ■ | ● |
| 16 | ◆ | HOSE A32 HD32 NBR | 1 | 218725 | ■ | ● |
| 16 | ◆ | HOSE A32 HD32 NBR-FDA | 1 | 229482 | ■ | ● |
| 16 | ◆ | HOSE A32 HD32 NR | 1 | 218724 | ■ | ● |
| 16 | ◆ | HOSE A32 HD32 NR FDA 1935_2004 | 1 | 237398 | ■ | ● |
| 16 | ◆ | HOSE HD32 EPDM (ATEX) | 1 | 234482 | ■ | ● |
| 16 | ◆ | HOSE HD32 NR (ATEX) | 1 | 234483 | ■ | ● |
| 18 | ◆ | BRACKET HD32 | 4 | 233118 | | |
| 19 | ◆ | EXPANSABLE TAPER LOCK | 1 | 218861 | | |
| 26 | ◆ | SHAFT SEAL | 1 | 231782 | | |
| 27 | ◆ | SEAL RING | 1 | 219051 | | |
| 59 | ◆ | KIT WINDOW ATEX HD32_40 | 1 | 317919.00 | | |
| 59 | ◆ | KIT WINDOW HD32_40 | 1 | 317918.00 | | |
| 15 | | WINDOW HD32 HD40 | (1) | | | |
| 17 | | OIL LEVEL INDICATOR (ATEX) | (1) | | | |
| 37 | | SCREW | (10) | | | |
| 38 | | SEAL WASHER | (10) | | | |
| 46 | ◆ | WINDOW SEAL HD40-HD32 | 1 | 230955 | | |
| 114 | ◆ | SET OF SHIMS | 1 | 312358.00 | | |
| 4 | | REMOVABLE SHIM | (12) | | | |
| 119 | ◆ | SET OF ALUMINIUM SHOES HD32 | 1 | 317675.00 | | |
| 5 | | SHOE HD32 | (2) | | | |
| 30 | | PIN | (2) | | | |
| 130 | ◆ | PUNCTURE DETECTION KIT ATEX HD10 TO HDX40 | 1 | 317990.00 | | |
| 130 | ◆ | PUNCTURE DETECTION KIT HD10 TO HDX40 | 1 | 317989.00 | | |
| 71A | | NIPPLE | (1) | | | |
| 72 | | TEE | (1) | | | |
| 76 | | NIPPLE | (1) | | | |
| 77 | | SLEEVE | (1) | | | |
| 78 | | CAPACITIVE DETECTOR | (1) | | | |
| 84 | | AMPLIFIER (WITH ATEX KIT) | (1) | | | |
| 131 | ◆ | EJECTOR VACUUM KIT FOR HD25 TO HDX40 PUMPS | 1 | 318208.00 | | |
| 71 | | NIPPLE | (1) | | | |
| 72A | | TEE | (1) | | | |
| 73A | | NIPPLE | (1) | | | |
| 74A | | NIPPLE | (1) | | | |
| 75A | | VALVE | (1) | | | |
| 76A | | NIPPLE | (1) | | | |
| 78A | ◆ | EJECTOR | 1 | 217749 | | |
| 1100D | ◆ | LUBRICANT - GLYCERIN (CAN 2,5L) | 1 | 314829.00 | ■ | ● |
| 1100K | ◆ | LUBRICANT - GLYCERIN (CAN 2L) | 1 | 314221.00 | | ● |
| 1100E | ◆ | LUBRICANT - FOOD GRADE GLYCERIN (CAN 5L) | 1 | 318794.00 | ■ | ● |
| 1105A | ◆ | PRESSING GLAND SEALS KIT FOR HD32_40 | 1 | 317724.00 | ■ | |
| 1105 | | PRESSING GLAND SEAL FOR HD32_40 | (2) | | | |

HD40

* 1, 2, 4... : Quantity in equipment - (1), (2), (4)... : Quantity in kit

| Item | Available | Description | Qty* | Ref. | Maintenance kit | Wear part |
|-------|-----------|--|------|-----------|-----------------|-----------|
| 2 | ◆ | COVER HD40 | 1 | 230932 | | |
| 3 | ◆ | WHEEL HD32 HD40 | 1 | 230799 | | |
| 9 | ◆ | HOSE CLAMP | 2 | 217086 | | |
| 10 | ◆ | COVER SEAL A40 HD32 HD40 FKM | 1 | 220201 | | ● |
| 12 | ◆ | INSERT A40 HD40 STAINLESS STEEL | 2 | 217310 | | |
| 12 | ◆ | INSERT A40 HD40 PPH | 2 | 217311 | | |
| 12 | ◆ | INSERT A40 HD40 PVDF | 2 | 217312 | | |
| 16 | ◆ | HOSE A40 HD40 EPDM | 1 | 218729 | ■ | ● |
| 16 | ◆ | HOSE HD40 HYPALON | 1 | 231596 | ■ | ● |
| 16 | ◆ | HOSE A40 HD40 NBR | 1 | 218728 | ■ | ● |
| 16 | ◆ | HOSE A40 HD40 NBR-FDA | 1 | 229380 | ■ | ● |
| 16 | ◆ | HOSE A40 HD40 NR | 1 | 218727 | ■ | ● |
| 16 | ◆ | HOSE A40 HD40 NR FDA 1935_2004 | 1 | 237399 | ■ | ● |
| 16 | ◆ | HOSE HD40 EPDM (ATEX) | 1 | 234480 | ■ | ● |
| 16 | ◆ | HOSE HD40 NR (ATEX) | 1 | 234481 | ■ | ● |
| 18 | ◆ | BRACKET HD40 | 4 | 230940 | | |
| 19 | ◆ | EXPANSABLE TAPER LOCK | 1 | 218861 | | |
| 26 | ◆ | SHAFT SEAL | 1 | 231782 | | |
| 27 | ◆ | SEAL RING | 1 | 219051 | | |
| 59 | ◆ | KIT WINDOW ATEX HD32_40 | 1 | 317919.00 | | |
| 59 | ◆ | KIT WINDOW HD32_40 | 1 | 317918.00 | | |
| 15 | | WINDOW HD32 HD40 | (1) | | | |
| 17 | | OIL LEVEL INDICATOR (ATEX) | (1) | | | |
| 37 | | SCREW | (10) | | | |
| 38 | | SEAL WASHER | (10) | | | |
| 46 | ◆ | WINDOW SEAL HD40-HD32 | 1 | 230955 | | |
| 114 | ◆ | SET OF SHIMS | 1 | 312358.00 | | |
| 4 | | REMOVABLE SHIM | (12) | | | |
| 119 | ◆ | SET OF ALUMINIUM SHOES A40 HD40 | 1 | 312782.00 | | |
| 5 | | SHOE | (2) | | | |
| 30 | | PIN | (2) | | | |
| 130 | ◆ | PUNCTURE DETECTION KIT ATEX HD10 TO HDX40 | 1 | 317990.00 | | |
| 130 | ◆ | PUNCTURE DETECTION KIT HD10 TO HDX40 | 1 | 317989.00 | | |
| 71A | | NIPPLE | (1) | | | |
| 72 | | TEE | (1) | | | |
| 76 | | NIPPLE | (1) | | | |
| 77 | | SLEEVE | (1) | | | |
| 78 | | CAPACITIVE DETECTOR | (1) | | | |
| 84 | | AMPLIFIER (WITH ATEX KIT) | (1) | | | |
| 131 | ◆ | EJECTOR VACUUM KIT FOR HD25 TO HDX40 PUMPS | 1 | 318208.00 | | |
| 71 | | NIPPLE | (1) | | | |
| 72A | | TEE | (1) | | | |
| 73A | | NIPPLE | (1) | | | |
| 74A | | NIPPLE | (1) | | | |
| 75A | | VALVE | (1) | | | |
| 76A | | NIPPLE | (1) | | | |
| 78A | ◆ | EJECTOR | 1 | 217749 | | |
| 1100D | ◆ | LUBRICANT - GLYCERIN (CAN 2,5L) | 1 | 314829.00 | ■ | ● |
| 1100K | ◆ | LUBRICANT - GLYCERIN (CAN 2L) | 1 | 314221.00 | | ● |
| 1100E | ◆ | LUBRICANT - FOOD GRADE GLYCERIN (CAN 5L) | 1 | 318794.00 | ■ | ● |
| 1105A | ◆ | PRESSING GLAND SEALS KIT FOR HD32_40 | 1 | 317724.00 | ■ | |
| 1105 | | PRESSING GLAND SEAL FOR HD32_40 | (2) | | | |

HDX40

* 1, 2, 4... : Quantity in equipment - (1), (2), (4)... : Quantity in kit

| Item | Available | Description | Qty* | Ref. | Maintenance kit | Wear part |
|-------|-----------|--|------|-----------|-----------------|-----------|
| 2 | ◆ | COVER HDX40 | 1 | 230933 | | |
| 3 | ◆ | WHEEL HDX40 | 1 | 230800 | | |
| 9 | ◆ | HOSE CLAMP | 2 | 217086 | | |
| 10 | ◆ | COVER SEAL AX40 HDX40 FKM | 1 | 220144 | | ● |
| 12 | ◆ | INSERT AX40 HDX40 STAINLESS STEEL | 2 | 217313 | | |
| 12 | ◆ | INSERT AX40 HDX40 PPH | 2 | 217314 | | |
| 12 | ◆ | INSERT AX40 HDX40 PVDF | 2 | 217315 | | |
| 16 | ◆ | HOSE AX40 HDX40 EPDM | 1 | 218732 | ■ | ● |
| 16 | ◆ | HOSE HDX40 HYPALON | 1 | 231552 | ■ | ● |
| 16 | ◆ | HOSE AX40 HDX40 NBR | 1 | 218731 | ■ | ● |
| 16 | ◆ | HOSE AX40 HDX40 NBR-FDA | 1 | 229477 | ■ | ● |
| 16 | ◆ | HOSE AX40 HDX40 NR | 1 | 218730 | ■ | ● |
| 16 | ◆ | HOSE AX40 HDX40 NR FDA 1935_2004 | 1 | 237400 | ■ | ● |
| 16 | ◆ | HOSE HDX40 EPDM (ATEX) | 1 | 234474 | ■ | ● |
| 16 | ◆ | HOSE HDX40 NR (ATEX) | 1 | 234475 | ■ | ● |
| 18 | ◆ | BRACKET HDX40 | 4 | 230941 | | |
| 19 | ◆ | EXPANSABLE TAPER LOCK | 1 | 230981 | | |
| 26 | ◆ | SHAFT SEAL | 1 | 231719 | | |
| 26 | ◆ | SHAFT SEAL (ATEX) | 1 | 234460 | | |
| 27 | ◆ | SEAL RING (CLOSE COUPLING BORE 50) | 1 | 219057 | | |
| 59 | ◆ | KIT WINDOW ATEX HDX40 | 1 | 317908.00 | | |
| 59 | ◆ | KIT WINDOW HDX40 | 1 | 317907.00 | | |
| 15 | | WINDOW HDX40 | (1) | | | |
| 17 | | OIL LEVEL INDICATOR (ATEX) | (1) | | | |
| 37 | | SCREW | (10) | | | |
| 38 | | SEAL WASHER | (10) | | | |
| 46 | ◆ | WINDOW SEAL HDX40 | 1 | 230956 | | |
| 114 | ◆ | SET OF SHIMS | 1 | 312359.00 | | |
| 4 | | REMOVABLE SHIM | (12) | | | |
| 119 | ◆ | SET OF ALUMINIUM SHOES HDX40 | 1 | 317201.00 | | |
| 4A | | FIXED SHIM | (4) | | | |
| 4B | | FIXED SHIM | (4) | | | |
| 5 | | SHOE | (2) | | | |
| 30 | | PIN | (2) | | | |
| 130 | ◆ | PUNCTURE DETECTION KIT ATEX HD10 TO HDX40 | 1 | 317990.00 | | |
| 130 | ◆ | PUNCTURE DETECTION KIT HD10 TO HDX40 | 1 | 317989.00 | | |
| 71A | | NIPPLE | (1) | | | |
| 72 | | TEE | (1) | | | |
| 76 | | NIPPLE | (1) | | | |
| 77 | | SLEEVE | (1) | | | |
| 78 | | CAPACITIVE DETECTOR | (1) | | | |
| 84 | | AMPLIFIER (WITH ATEX KIT) | (1) | | | |
| 131 | ◆ | EJECTOR VACUUM KIT FOR HD25 TO HDX40 PUMPS | 1 | 318208.00 | | |
| 71 | | NIPPLE | (1) | | | |
| 72A | | TEE | (1) | | | |
| 73A | | NIPPLE | (1) | | | |
| 74A | | NIPPLE | (1) | | | |
| 75A | | VALVE | (1) | | | |
| 76A | | NIPPLE | (1) | | | |
| 78A | ◆ | EJECTOR | 1 | 217749 | | |
| 1100E | ◆ | LUBRICANT - GLYCERIN (CAN 5L) | 1 | 314222.00 | ■ | ● |
| 1100K | ◆ | LUBRICANT - GLYCERIN (CAN 2L) | 1 | 314221.00 | | ● |
| 1100E | ◆ | LUBRICANT - FOOD GRADE GLYCERIN (CAN 5L) | 1 | 318794.00 | ■ | ● |
| 1100J | ◆ | LUBRICANT - FOOD GRADE GLYCERIN (CAN 1L) | 1 | 318791.00 | | ● |
| 1105A | ◆ | PRESSING GLAND SEALS KIT FOR HDX40 | 1 | 317725.00 | ■ | |
| 1105 | | PRESSING GLAND SEAL FOR HDX40 | (2) | | | |