

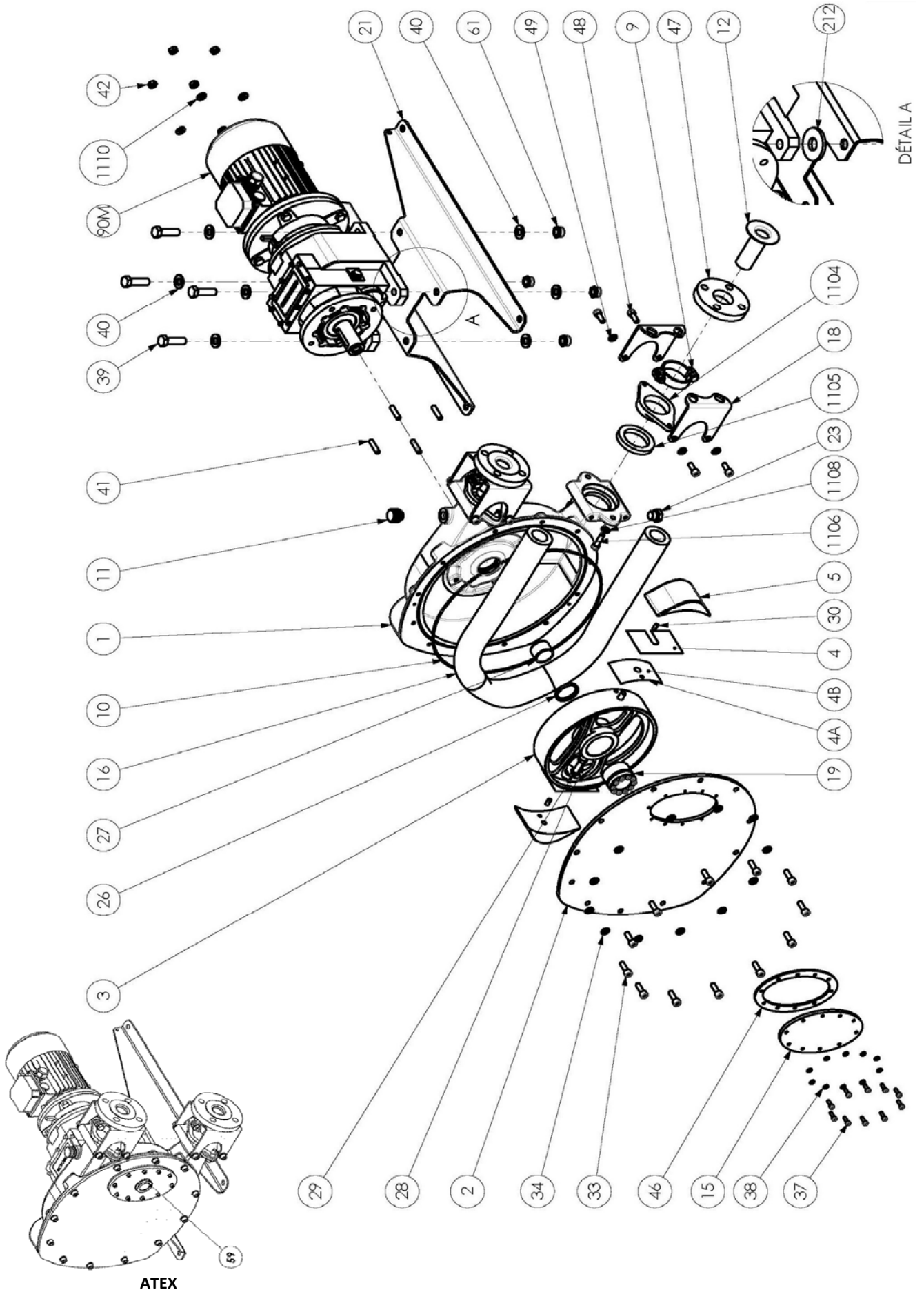
**PARTS LIST**  
**PUMPS**  
**HD25 - HD32 - HD40 - HDX40**

Keep this parts lists with Installation, Operation and Maintenance Instructions.

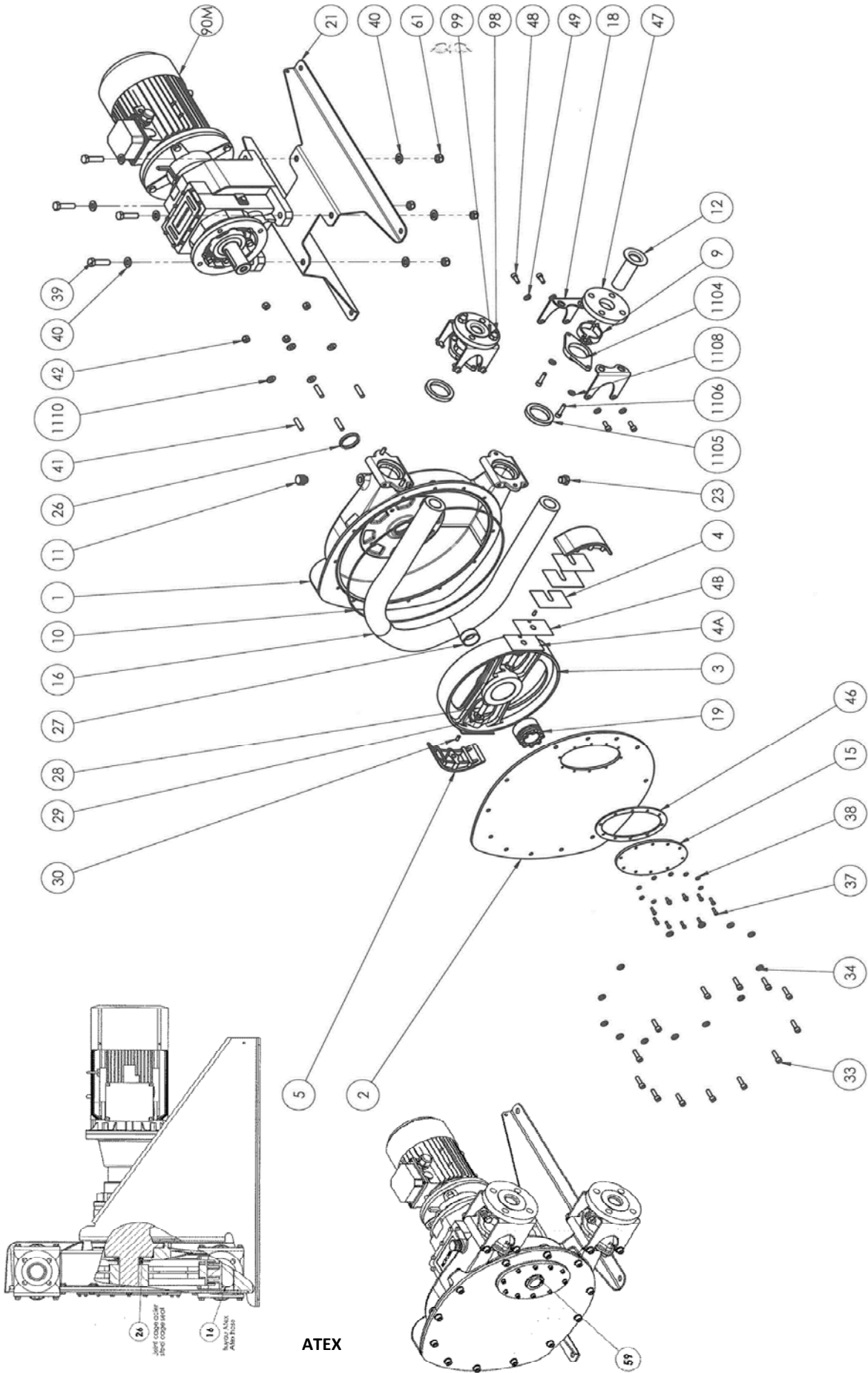
To order the required spare parts, indicate the desired Reference(s).

- ◆ Sets of parts or parts available to order.

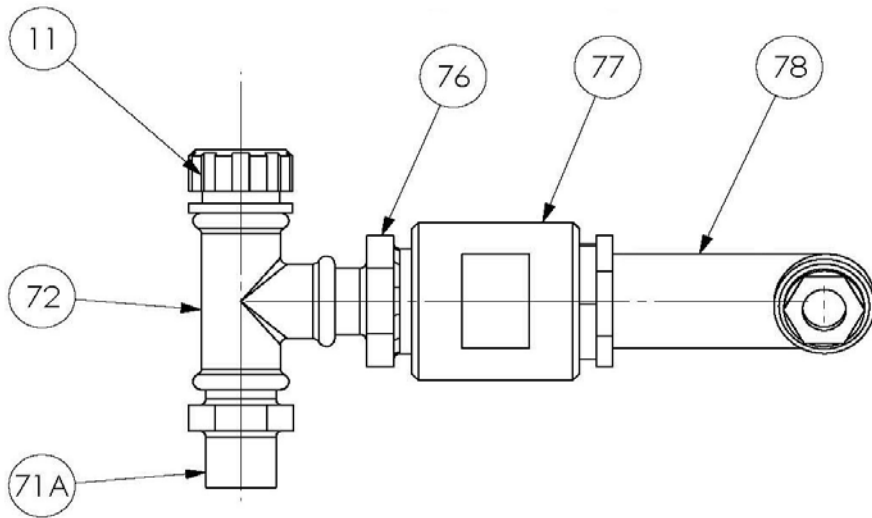
# HD25 - HD32 - HD40



# HDX40

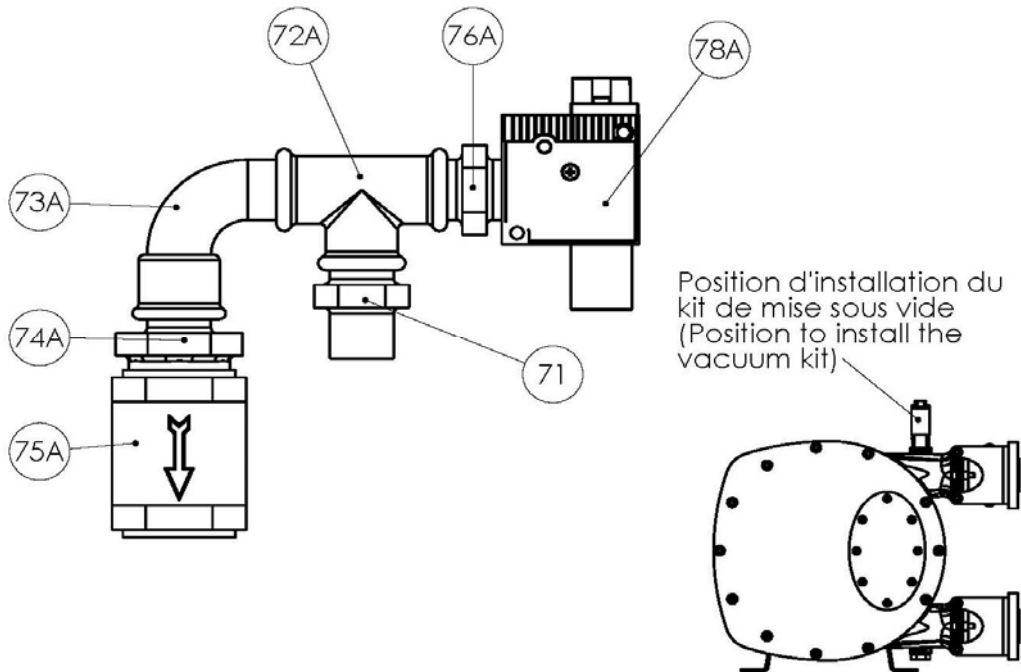


## PUNCTURE DETECTION KIT



---

## EJECTOR VACUUM KIT



# HD25

\* 1, 2, 4... : Quantity in equipment - (1), (2), (4)... : Quantity in kit

| Item  | Available | Description                                | Qty* | Ref.      | Maintenance kit | Wear part |
|-------|-----------|--|------|-----------|-----------------|-----------|
| 2     | ◆         | COVER HD25                                 | 1    | AUX230931 |                 |           |
| 3     | ◆         | WHEEL HD25                                 | 1    | AUX230798 |                 |           |
| 9     | ◆         | HOSE CLAMP AND SCREWS                      | 2    | AUX319313 |                 |           |
| 10    | ◆         | COVER SEAL A25 HD25 FKM                    | 1    | AUX220200 |                 | ●         |
| 12    | ◆         | INSERT A25 HD25 STAINLESS STEEL            | 2    | AUX217461 |                 |           |
| 12    | ◆         | INSERT A25 HD25 PPH                        | 2    | AUX217052 |                 |           |
| 12    | ◆         | INSERT A25 HD25 PVDF                       | 2    | AUX217053 |                 |           |
| 16    | ◆         | HOSE A25 HD25 EPDM                         | 1    | AUX218723 | ■               | ●         |
| 16    | ◆         | HOSE HD25 HYPALON                          | 1    | AUX231591 | ■               | ●         |
| 16    | ◆         | HOSE A25 HD25 NBR                          | 1    | AUX218722 | ■               | ●         |
| 16    | ◆         | HOSE A25 HD25 NBR-FDA                      | 1    | AUX229476 | ■               | ●         |
| 16    | ◆         | HOSE A25 HD25 NR                           | 1    | AUX218721 | ■               | ●         |
| 16    | ◆         | HOSE A25 HD25 NR FDA 1935_2004             | 1    | AUX237397 | ■               | ●         |
| 16    | ◆         | HOSE HD25 EPDM (ATEX)                      | 1    | AUX234484 | ■               | ●         |
| 16    | ◆         | HOSE HD25 NR (ATEX)                        | 1    | AUX234485 | ■               | ●         |
| 18    | ◆         | BRACKET HD25                               | 4    | AUX230939 |                 |           |
| 19    | ◆         | EXPANSABLE TAPER LOCK                      | 1    | AUX230979 |                 |           |
| 26    | ◆         | SHAFT SEAL                                 | 1    | AUX231780 |                 |           |
| 27    | ◆         | SEAL RING                                  | 1    | AUX231532 |                 |           |
| 59    | ◆         | KIT WINDOW ATEX HD25                       | 1    | AUX317921 |                 |           |
| 59    | ◆         | KIT WINDOW HD25                            | 1    | AUX317920 |                 |           |
| 15    |           | WINDOW HD25                                | (1)  |           |                 |           |
| 17    |           | OIL LEVEL INDICATOR (ATEX)                 | (1)  |           |                 |           |
| 37    |           | SCREW                                      | (8)  |           |                 |           |
| 38    |           | SEAL WASHER                                | (8)  |           |                 |           |
| 46    | ◆         | WINDOW SEAL HD25                           | 1    | AUX230954 |                 |           |
| 114   | ◆         | SET OF SHIMS                               | 1    | AUX312357 |                 |           |
| 4     |           | REMOVABLE SHIM                             | (12) |           |                 |           |
| 119   | ◆         | SET OF ALUMINIUM SHOES A25 HD25            | 1    | AUX312788 |                 |           |
| 5     |           | SHOE                                       | (2)  |           |                 |           |
| 30    |           | PIN  | (2)  |           |                 |           |
| 130   | ◆         | PUNCTURE DETECTION KIT ATEX HD10 TO HDX40  | 1    | AUX317990 |                 |           |
| 130   | ◆         | PUNCTURE DETECTION KIT HD10 TO HDX40       | 1    | AUX317989 |                 |           |
| 71A   |           | NIPPLE                                     | (1)  |           |                 |           |
| 72    |           | TEE  | (1)  |           |                 |           |
| 76    |           | NIPPLE                                     | (1)  |           |                 |           |
| 77    |           | SLEEVE                                     | (1)  |           |                 |           |
| 78    |           | CAPACITIVE DETECTOR                        | (1)  |           |                 |           |
| 84    |           | AMPLIFIER (WITH ATEX KIT)                  | (1)  |           |                 |           |
| 131   | ◆         | EJECTOR VACUUM KIT FOR HD25 TO HDX40 PUMPS | 1    | AUX318208 |                 |           |
| 71    |           | NIPPLE                                     | (1)  |           |                 |           |
| 72A   |           | TEE  | (1)  |           |                 |           |
| 73A   |           | NIPPLE                                     | (1)  |           |                 |           |
| 74A   |           | NIPPLE                                     | (1)  |           |                 |           |
| 75A   |           | VALVE                                      | (1)  |           |                 |           |
| 76A   |           | NIPPLE                                     | (1)  |           |                 |           |
| 78A   | ◆         | EJECTOR                                    | 1    | AUX217749 |                 |           |
| 1100C | ◆         | LUBRICANT - GLYCERIN (CAN 2L)              | 1    | AUX314221 | ■               | ●         |
| 1100J | ◆         | LUBRICANT - GLYCERIN (CAN 1L)              | 1    | AUX314220 |                 | ●         |
| 1100J | ◆         | LUBRICANT - FOOD GRADE GLYCERIN (CAN 1L)   | 1    | AUX318791 | ■               | ●         |
| 1105A | ◆         | PRESSING GLAND SEALS KIT FOR HD25          | 1    | AUX317723 | ■               |           |
| 1105  |           | PRESSING GLAND SEAL FOR HD25               | (2)  |           |                 |           |

## HD32

\* 1, 2, 4... : Quantity in equipment - (1), (2), (4)... : Quantity in kit

| Item  | Available | Description                                | Qty* | Ref.      | Maintenance kit | Wear part |
|-------|-----------|--|------|-----------|-----------------|-----------|
| 2     | ◆         | COVER HD40                                 | 1    | AUX230932 |                 |           |
| 3     | ◆         | WHEEL HD32 HD40                            | 1    | AUX230799 |                 |           |
| 9     | ◆         | HOSE CLAMP                                 | 2    | AUX217086 |                 |           |
| 10    | ◆         | COVER SEAL A40 HD32 HD40 FKM               | 1    | AUX220201 |                 | ●         |
| 12    | ◆         | INSERT HD32 STAINLESS STEEL                | 2    | AUX233113 |                 |           |
| 12    | ◆         | INSERT HD32 PPH                            | 2    | AUX233130 |                 |           |
| 12    | ◆         | INSERT HD32 PVDF                           | 2    | AUX233131 |                 |           |
| 16    | ◆         | HOSE A32 HD32 EPDM                         | 1    | AUX218726 | ■               | ●         |
| 16    | ◆         | HOSE HD32 HYPALON                          | 1    | AUX233911 | ■               | ●         |
| 16    | ◆         | HOSE A32 HD32 NBR                          | 1    | AUX218725 | ■               | ●         |
| 16    | ◆         | HOSE A32 HD32 NBR-FDA                      | 1    | AUX229482 | ■               | ●         |
| 16    | ◆         | HOSE A32 HD32 NR                           | 1    | AUX218724 | ■               | ●         |
| 16    | ◆         | HOSE A32 HD32 NR FDA 1935_2004             | 1    | AUX237398 | ■               | ●         |
| 16    | ◆         | HOSE HD32 EPDM (ATEX)                      | 1    | AUX234482 | ■               | ●         |
| 16    | ◆         | HOSE HD32 NR (ATEX)                        | 1    | AUX234483 | ■               | ●         |
| 18    | ◆         | BRACKET HD32                               | 4    | AUX233118 |                 |           |
| 19    | ◆         | EXPANSABLE TAPER LOCK                      | 1    | AUX218861 |                 |           |
| 26    | ◆         | SHAFT SEAL                                 | 1    | AUX231782 |                 |           |
| 27    | ◆         | SEAL RING                                  | 1    | AUX219051 |                 |           |
| 59    | ◆         | KIT WINDOW ATEX HD32_40                    | 1    | AUX317919 |                 |           |
| 59    | ◆         | KIT WINDOW HD32_40                         | 1    | AUX317918 |                 |           |
| 15    |           | WINDOW HD32 HD40                           | (1)  |           |                 |           |
| 17    |           | OIL LEVEL INDICATOR (ATEX)                 | (1)  |           |                 |           |
| 37    |           | SCREW                                      | (10) |           |                 |           |
| 38    |           | SEAL WASHER                                | (10) |           |                 |           |
| 46    | ◆         | WINDOW SEAL HD40-HD32                      | 1    | AUX230955 |                 |           |
| 114   | ◆         | SET OF SHIMS                               | 1    | AUX312358 |                 |           |
| 4     |           | REMOVABLE SHIM                             | (12) |           |                 |           |
| 119   | ◆         | SET OF ALUMINIUM SHOES HD32                | 1    | AUX317675 |                 |           |
| 5     |           | SHOE HD32                                  | (2)  |           |                 |           |
| 30    |           | PIN  | (2)  |           |                 |           |
| 130   | ◆         | PUNCTURE DETECTION KIT ATEX HD10 TO HDX40  | 1    | AUX317990 |                 |           |
| 130   | ◆         | PUNCTURE DETECTION KIT HD10 TO HDX40       | 1    | AUX317989 |                 |           |
| 71A   |           | NIPPLE                                     | (1)  |           |                 |           |
| 72    |           | TEE  | (1)  |           |                 |           |
| 76    |           | NIPPLE                                     | (1)  |           |                 |           |
| 77    |           | SLEEVE                                     | (1)  |           |                 |           |
| 78    |           | CAPACITIVE DETECTOR                        | (1)  |           |                 |           |
| 84    |           | AMPLIFIER (WITH ATEX KIT)                  | (1)  |           |                 |           |
| 131   | ◆         | EJECTOR VACUUM KIT FOR HD25 TO HDX40 PUMPS | 1    | AUX318208 |                 |           |
| 71    |           | NIPPLE                                     | (1)  |           |                 |           |
| 72A   |           | TEE  | (1)  |           |                 |           |
| 73A   |           | NIPPLE                                     | (1)  |           |                 |           |
| 74A   |           | NIPPLE                                     | (1)  |           |                 |           |
| 75A   |           | VALVE                                      | (1)  |           |                 |           |
| 76A   |           | NIPPLE                                     | (1)  |           |                 |           |
| 78A   | ◆         | EJECTOR                                    | 1    | AUX217749 |                 |           |
| 1100D | ◆         | LUBRICANT - GLYCERIN (CAN 2,5L)            | 1    | AUX314829 | ■               | ●         |
| 1100K | ◆         | LUBRICANT - GLYCERIN (CAN 2L)              | 1    | AUX314221 |                 | ●         |
| 1100E | ◆         | LUBRICANT - FOOD GRADE GLYCERIN (CAN 5L)   | 1    | AUX318794 | ■               | ●         |
| 1105A | ◆         | PRESSING GLAND SEALS KIT FOR HD32_40       | 1    | AUX317724 | ■               |           |
| 1105  |           | PRESSING GLAND SEAL FOR HD32_40            | (2)  |           |                 |           |

# HD40

\* 1, 2, 4... : Quantity in equipment - (1), (2), (4)... : Quantity in kit

| Item  | Available | Description                                | Qty* | Ref.      | Maintenance kit | Wear part |
|-------|-----------|--|------|-----------|-----------------|-----------|
| 2     | ◆         | COVER HD40                                 | 1    | AUX230932 |                 |           |
| 3     | ◆         | WHEEL HD32 HD40                            | 1    | AUX230799 |                 |           |
| 9     | ◆         | HOSE CLAMP                                 | 2    | AUX217086 |                 |           |
| 10    | ◆         | COVER SEAL A40 HD32 HD40 FKM               | 1    | AUX220201 |                 | ●         |
| 12    | ◆         | INSERT A40 HD40 STAINLESS STEEL            | 2    | AUX217310 |                 |           |
| 12    | ◆         | INSERT A40 HD40 PPH                        | 2    | AUX217311 |                 |           |
| 12    | ◆         | INSERT A40 HD40 PVDF                       | 2    | AUX217312 |                 |           |
| 16    | ◆         | HOSE A40 HD40 EPDM                         | 1    | AUX218729 | ■               | ●         |
| 16    | ◆         | HOSE HD40 HYPALON                          | 1    | AUX231596 | ■               | ●         |
| 16    | ◆         | HOSE A40 HD40 NBR                          | 1    | AUX218728 | ■               | ●         |
| 16    | ◆         | HOSE A40 HD40 NBR-FDA                      | 1    | AUX229380 | ■               | ●         |
| 16    | ◆         | HOSE A40 HD40 NR                           | 1    | AUX218727 | ■               | ●         |
| 16    | ◆         | HOSE A40 HD40 NR FDA 1935_2004             | 1    | AUX237399 | ■               | ●         |
| 16    | ◆         | HOSE HD40 EPDM (ATEX)                      | 1    | AUX234480 | ■               | ●         |
| 16    | ◆         | HOSE HD40 NR (ATEX)                        | 1    | AUX234481 | ■               | ●         |
| 18    | ◆         | BRACKET HD40                               | 4    | AUX230940 |                 |           |
| 19    | ◆         | EXPANSABLE TAPER LOCK                      | 1    | AUX218861 |                 |           |
| 26    | ◆         | SHAFT SEAL                                 | 1    | AUX231782 |                 |           |
| 27    | ◆         | SEAL RING                                  | 1    | AUX219051 |                 |           |
| 59    | ◆         | KIT WINDOW ATEX HD32_40                    | 1    | AUX317919 |                 |           |
| 59    | ◆         | KIT WINDOW HD32_40                         | 1    | AUX317918 |                 |           |
| 15    |           | WINDOW HD32 HD40                           | (1)  |           |                 |           |
| 17    |           | OIL LEVEL INDICATOR (ATEX)                 | (1)  |           |                 |           |
| 37    |           | SCREW                                      | (10) |           |                 |           |
| 38    |           | SEAL WASHER                                | (10) |           |                 |           |
| 46    | ◆         | WINDOW SEAL HD40-HD32                      | 1    | AUX230955 |                 |           |
| 114   | ◆         | SET OF SHIMS                               | 1    | AUX312358 |                 |           |
| 4     |           | REMOVABLE SHIM                             | (12) |           |                 |           |
| 119   | ◆         | SET OF ALUMINIUM SHOES A40 HD40            | 1    | AUX312782 |                 |           |
| 5     |           | SHOE                                       | (2)  |           |                 |           |
| 30    |           | PIN  | (2)  |           |                 |           |
| 130   | ◆         | PUNCTURE DETECTION KIT ATEX HD10 TO HDX40  | 1    | AUX317990 |                 |           |
| 130   | ◆         | PUNCTURE DETECTION KIT HD10 TO HDX40       | 1    | AUX317989 |                 |           |
| 71A   |           | NIPPLE                                     | (1)  |           |                 |           |
| 72    |           | TEE  | (1)  |           |                 |           |
| 76    |           | NIPPLE                                     | (1)  |           |                 |           |
| 77    |           | SLEEVE                                     | (1)  |           |                 |           |
| 78    |           | CAPACITIVE DETECTOR                        | (1)  |           |                 |           |
| 84    |           | AMPLIFIER (WITH ATEX KIT)                  | (1)  |           |                 |           |
| 131   | ◆         | EJECTOR VACUUM KIT FOR HD25 TO HDX40 PUMPS | 1    | AUX318208 |                 |           |
| 71    |           | NIPPLE                                     | (1)  |           |                 |           |
| 72A   |           | TEE  | (1)  |           |                 |           |
| 73A   |           | NIPPLE                                     | (1)  |           |                 |           |
| 74A   |           | NIPPLE                                     | (1)  |           |                 |           |
| 75A   |           | VALVE                                      | (1)  |           |                 |           |
| 76A   |           | NIPPLE                                     | (1)  |           |                 |           |
| 78A   | ◆         | EJECTOR                                    | 1    | AUX217749 |                 |           |
| 1100D | ◆         | LUBRICANT - GLYCERIN (CAN 2,5L)            | 1    | AUX314829 | ■               | ●         |
| 1100K | ◆         | LUBRICANT - GLYCERIN (CAN 2L)              | 1    | AUX314221 |                 | ●         |
| 1100E | ◆         | LUBRICANT - FOOD GRADE GLYCERIN (CAN 5L)   | 1    | AUX318794 | ■               | ●         |
| 1105A | ◆         | PRESSING GLAND SEALS KIT FOR HD32_40       | 1    | AUX317724 | ■               |           |
| 1105  |           | PRESSING GLAND SEAL FOR HD32_40            | (2)  |           |                 |           |

# HDX40

\* 1, 2, 4... : Quantity in equipment - (1), (2), (4)... : Quantity in kit

| Item  | Available | Description                                | Qty* | Ref.      | Maintenance kit | Wear part |
|-------|-----------|--|------|-----------|-----------------|-----------|
| 2     | ◆         | COVER HDX40                                | 1    | AUX230933 |                 |           |
| 3     | ◆         | WHEEL HDX40                                | 1    | AUX230800 |                 |           |
| 9     | ◆         | HOSE CLAMP                                 | 2    | AUX217086 |                 |           |
| 10    | ◆         | COVER SEAL AX40 HDX40 FKM                  | 1    | AUX220144 |                 | ●         |
| 12    | ◆         | INSERT AX40 HDX40 STAINLESS STEEL          | 2    | AUX217313 |                 |           |
| 12    | ◆         | INSERT AX40 HDX40 PPH                      | 2    | AUX217314 |                 |           |
| 12    | ◆         | INSERT AX40 HDX40 PVDF                     | 2    | AUX217315 |                 |           |
| 16    | ◆         | HOSE AX40 HDX40 EPDM                       | 1    | AUX218732 | ■               | ●         |
| 16    | ◆         | HOSE HDX40 HYPALON                         | 1    | AUX231552 | ■               | ●         |
| 16    | ◆         | HOSE AX40 HDX40 NBR                        | 1    | AUX218731 | ■               | ●         |
| 16    | ◆         | HOSE AX40 HDX40 NBR-FDA                    | 1    | AUX229477 | ■               | ●         |
| 16    | ◆         | HOSE AX40 HDX40 NR                         | 1    | AUX218730 | ■               | ●         |
| 16    | ◆         | HOSE AX40 HDX40 NR FDA 1935_2004           | 1    | AUX237400 | ■               | ●         |
| 16    | ◆         | HOSE HDX40 EPDM (ATEX)                     | 1    | AUX234474 | ■               | ●         |
| 16    | ◆         | HOSE HDX40 NR (ATEX)                       | 1    | AUX234475 | ■               | ●         |
| 18    | ◆         | BRACKET HDX40                              | 4    | AUX230941 |                 |           |
| 19    | ◆         | EXPANSABLE TAPER LOCK                      | 1    | AUX230981 |                 |           |
| 26    | ◆         | SHAFT SEAL                                 | 1    | AUX231719 |                 |           |
| 26    | ◆         | SHAFT SEAL (ATEX)                          | 1    | AUX234460 |                 |           |
| 27    | ◆         | SEAL RING (CLOSE COUPLING BORE 50)         | 1    | AUX219057 |                 |           |
| 59    | ◆         | KIT WINDOW ATEX HDX40                      | 1    | AUX317908 |                 |           |
| 59    | ◆         | KIT WINDOW HDX40                           | 1    | AUX317907 |                 |           |
| 15    |           | WINDOW HDX40                               | (1)  |           |                 |           |
| 17    |           | OIL LEVEL INDICATOR (ATEX)                 | (1)  |           |                 |           |
| 37    |           | SCREW                                      | (10) |           |                 |           |
| 38    |           | SEAL WASHER                                | (10) |           |                 |           |
| 46    | ◆         | WINDOW SEAL HDX40                          | 1    | AUX230956 |                 |           |
| 114   | ◆         | SET OF SHIMS                               | 1    | AUX312359 |                 |           |
| 4     |           | REMOVABLE SHIM                             | (12) |           |                 |           |
| 119   | ◆         | SET OF ALUMINIUM SHOES HDX40               | 1    | AUX317201 |                 |           |
| 4A    |           | FIXED SHIM                                 | (4)  |           |                 |           |
| 4B    |           | FIXED SHIM                                 | (4)  |           |                 |           |
| 5     |           | SHOE                                       | (2)  |           |                 |           |
| 30    |           | PIN  | (2)  |           |                 |           |
| 130   | ◆         | PUNCTURE DETECTION KIT ATEX HD10 TO HDX40  | 1    | AUX317990 |                 |           |
| 130   | ◆         | PUNCTURE DETECTION KIT HD10 TO HDX40       | 1    | AUX317989 |                 |           |
| 71A   |           | NIPPLE                                     | (1)  |           |                 |           |
| 72    |           | TEE  | (1)  |           |                 |           |
| 76    |           | NIPPLE                                     | (1)  |           |                 |           |
| 77    |           | SLEEVE                                     | (1)  |           |                 |           |
| 78    |           | CAPACITIVE DETECTOR                        | (1)  |           |                 |           |
| 84    |           | AMPLIFIER (WITH ATEX KIT)                  | (1)  |           |                 |           |
| 131   | ◆         | EJECTOR VACUUM KIT FOR HD25 TO HDX40 PUMPS | 1    | AUX318208 |                 |           |
| 71    |           | NIPPLE                                     | (1)  |           |                 |           |
| 72A   |           | TEE  | (1)  |           |                 |           |
| 73A   |           | NIPPLE                                     | (1)  |           |                 |           |
| 74A   |           | NIPPLE                                     | (1)  |           |                 |           |
| 75A   |           | VALVE                                      | (1)  |           |                 |           |
| 76A   |           | NIPPLE                                     | (1)  |           |                 |           |
| 78A   | ◆         | EJECTOR                                    | 1    | AUX217749 |                 |           |
| 1100E | ◆         | LUBRICANT - GLYCERIN (CAN 5L)              | 1    | AUX314222 | ■               | ●         |
| 1100K | ◆         | LUBRICANT - GLYCERIN (CAN 2L)              | 1    | AUX314221 |                 | ●         |
| 1100E | ◆         | LUBRICANT - FOOD GRADE GLYCERIN (CAN 5L)   | 1    | AUX318794 | ■               | ●         |
| 1100J | ◆         | LUBRICANT - FOOD GRADE GLYCERIN (CAN 1L)   | 1    | AUX318791 |                 | ●         |
| 1105A | ◆         | PRESSING GLAND SEALS KIT FOR HDX40         | 1    | AUX317725 | ■               |           |
| 1105  |           | PRESSING GLAND SEAL FOR HDX40              | (2)  |           |                 |           |