

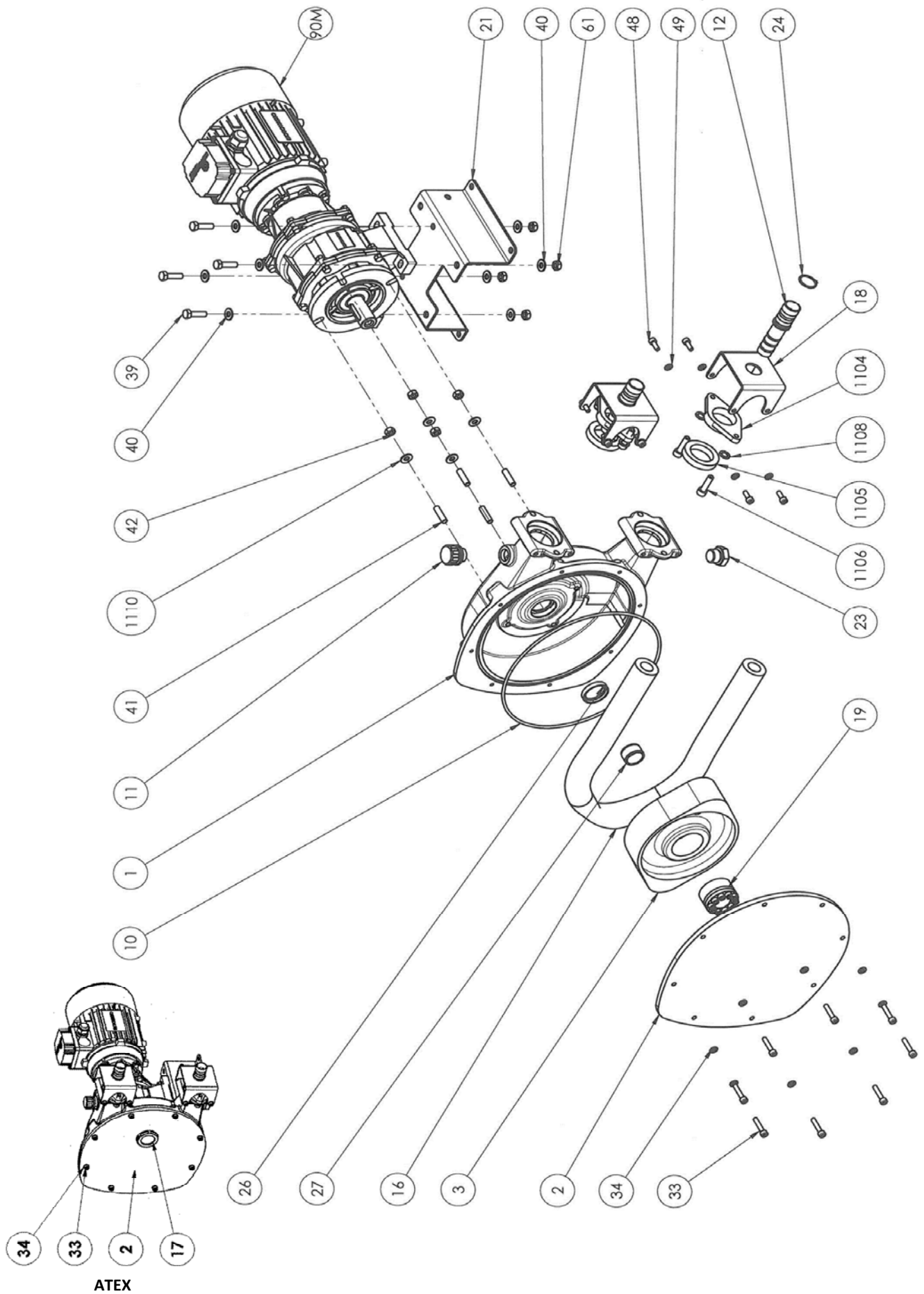
PARTS LIST
PUMPS
HD10 - HD15 - HD20

Keep this parts lists with Installation, Operation and Maintenance Instructions.

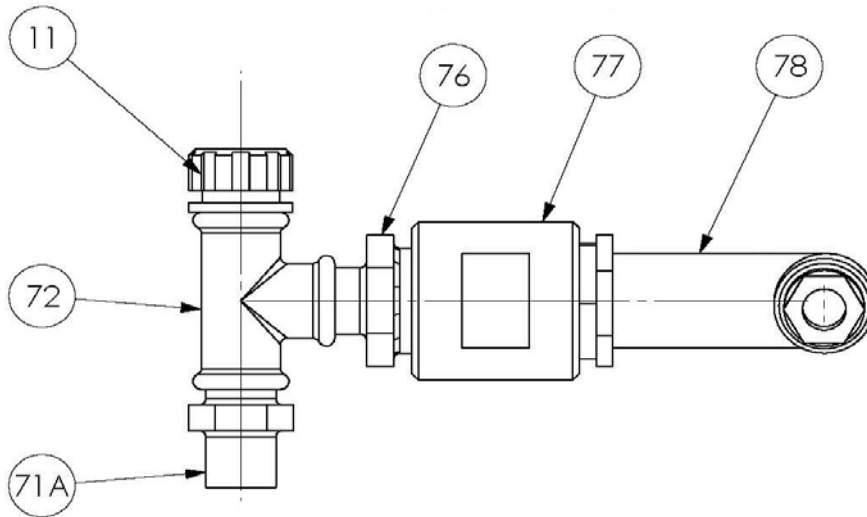
To order the required spare parts, indicate the desired Reference(s).

- ◆ Sets of parts or parts available to order.

HD10 - HD15 - HD20



PUNCTURE DETECTION KIT



HD10

* 1, 2,4... : Quantity in equipment - (1), (2), (4)... : Quantity in kit

Item	Available	Description	Qty*	Ref.	Maintenance kit	Wear part
3	◆	WHEEL (CLOSE COUPLING BORE 25)	1	217457		
12	◆	INSERT A10 HD10 STAINLESS STEEL	2	217298		
12	◆	INSERT A10 HD10 PPH	2	217299		
12	◆	INSERT A10 HD10 PVDF	2	217300		
16	◆	HOSE A10 HD10 EPDM	1	218714	■	●
16	◆	HOSE HD10 HYPALON	1	231590	■	●
16	◆	HOSE A10 HD10 NBR	1	218713	■	●
16	◆	HOSE A10 HD10 NBR-FDA	1	229474	■	●
16	◆	HOSE A10 HD10 NR	1	218712	■	●
16	◆	HOSE A10 HD10 NR FDA 1935_2004	1	237394	■	●
16	◆	HOSE HD10 EPDM (ATEX)	1	234491	■	●
16	◆	HOSE HD10 NR (ATEX)	1	234492	■	●
18	◆	BRACKET HD10	2	230937		
19	◆	EXPANSABLE TAPER LOCK D25	1	217778		
26	◆	SHAFT SEAL	1	231718		
27	◆	SEAL RING (CLOSE COUPLING BORE 25)	1	219026		
59	◆	KIT COVER ATEX HD10	1	317935.00		
59	◆	KIT COVER HD10	1	317934.00		
2A		COVER HD10	(1)			
10	◆	COVER SEAL A10 HD10 FKM	1	220198		●
17		OIL LEVEL INDICATOR (ATEX)	(1)			
33		SCREW	(8)			
34		SEAL WASHER	(8)			
130	◆	PUNCTURE DETECTION KIT ATEX HD10 TO HDX40	1	317990.00		
130	◆	PUNCTURE DETECTION KIT HD10 TO HDX40	1	317989.00		
71A		NIPPLE	(1)			
72		TEE	(1)			
76		NIPPLE	(1)			
77		SLEEVE	(1)			
78		CAPACITIVE DETECTOR	(1)			
84		AMPLIFIER (WITH ATEX KIT)	(1)			
1100A	◆	LUBRICANT - GLYCERIN (CAN 0,5L)	1	314828.00	■	●
1100J	◆	LUBRICANT - GLYCERIN (CAN 1L)	1	314220.00		●
1100A	◆	LUBRICANT - FOOD GRADE GLYCERIN (CAN 0,5L)	1	318789.00	■	●
1100J	◆	LUBRICANT - FOOD GRADE GLYCERIN (CAN 1L)	1	318791.00		●
1105A	◆	PRESSING GLAND SEALS KIT FOR HD10	1	317721.00	■	
1105		PRESSING GLAND SEAL FOR HD10	(2)			

HD15

* 1, 2,4... : Quantity in equipment - (1), (2), (4)... : Quantity in kit

Item	Available	Description	Qty*	Ref.	Maintenance kit	Wear part
3	◆	WHEEL	1	217287		
12	◆	INSERT A15 HD15 STAINLESS STEEL	2	217301		
12	◆	INSERT A15 HD15 PPH	2	217302		
12	◆	INSERT A15 HD15 PVDF	2	217303		
16	◆	HOSE A15 HD15 EPDM	1	218940	■	●
16	◆	HOSE HD15 HYPALON	1	231550	■	●
16	◆	HOSE A15 HD15 NBR	1	218939	■	●
16	◆	HOSE A15 HD15 NBR-FDA	1	229475	■	●
16	◆	HOSE A15 HD15 NR	1	218938	■	●
16	◆	HOSE A15 HD15 NR FDA 1935_2004	1	237395	■	●
16	◆	HOSE HD15 EPDM (ATEX)	1	234488	■	●
16	◆	HOSE HD15 NR (ATEX)	1	234490	■	●
18	◆	BRACKET HD15	2	230938		
19	◆	EXPANSABLE TAPER LOCK D25	1	217778		
26	◆	SHAFT SEAL	1	231718		
27	◆	SEAL RING (CLOSE COUPLING BORE 25)	1	219026		
59	◆	KIT COVER ATEX HD20_15	1	317933.00		
59	◆	KIT COVER HD20_15	1	317932.00		
2A		COVER HD15 HD20	(1)			●
10	◆	COVER SEAL A15 A20 HD15 HD20 FKM	1	220199		●
17		OIL LEVEL INDICATOR (ATEX)	(1)			
33		SCREW	(8)			
34		SEAL WASHER	(8)			
130	◆	PUNCTURE DETECTION KIT ATEX HD10 TO HDX40	1	317990.00		
130	◆	PUNCTURE DETECTION KIT HD10 TO HDX40	1	317989.00		
71A		NIPPLE	(1)			
72		TEE	(1)			
76		NIPPLE	(1)			
77		SLEEVE	(1)			
78		CAPACITIVE DETECTOR	(1)			
84		AMPLIFIER (WITH ATEX KIT)	(1)			
1100B	◆	LUBRICANT - GLYCERIN (CAN 1L)	1	314220.00	■	●
1100H	◆	LUBRICANT - GLYCERIN (CAN 0,5L)	1	314828.00		●
1100B	◆	LUBRICANT - FOOD GRADE GLYCERIN (CAN 1L)	1	318791.00	■	●
1100H	◆	LUBRICANT - FOOD GRADE GLYCERIN (CAN 0,5L)	1	318789.00		●
1105A	◆	PRESSING GLAND SEALS KIT FOR HD15_20	1	317722.00	■	
1105		PRESSING GLAND SEAL FOR HD20_HD15	(2)			

HD20

* 1, 2,4... : Quantity in equipment - (1), (2), (4)... : Quantity in kit

Item	Available	Description	Qty*	Ref.	Maintenance kit	Wear part
3	◆	WHEEL	1	217288		
12	◆	INSERT A20 HD20 STAINLESS STEEL	2	217304		
12	◆	INSERT A20 HD20 PPH	2	217305		
12	◆	INSERT A20 HD20 PVDF	2	217306		
16	◆	HOSE A20 HD20 EPDM	1	218943	■	●
16	◆	HOSE HD20 HYPALON	1	231551	■	●
16	◆	HOSE A20 HD20 NBR	1	218942	■	●
16	◆	HOSE A20 HD20 NBR-FDA	1	229154	■	●
16	◆	HOSE A20 HD20 NR	1	218941	■	●
16	◆	HOSE A20 HD20 NR FDA 1935_2004	1	237396	■	●
16	◆	HOSE HD20 EPDM (ATEX)	1	234486	■	●
16	◆	HOSE HD20 NR (ATEX)	1	234487	■	●
18	◆	BRACKET HD20	2	230787		
19	◆	EXPANSABLE TAPER LOCK D25	1	217778		
26	◆	SHAFT SEAL	1	231718		
27	◆	SEAL RING (CLOSE COUPLING BORE 25)	1	219026		
59	◆	KIT COVER ATEX HD20_15	1	317933.00		
59	◆	KIT COVER HD20_15	1	317932.00		
2A		COVER HD15 HD20	(1)			●
10	◆	COVER SEAL A15 A20 HD15 HD20 FKM	1	220199		●
17		OIL LEVEL INDICATOR (ATEX)	(1)			
33		SCREW	(8)			
34		SEAL WASHER	(8)			
130	◆	PUNCTURE DETECTION KIT ATEX HD10 TO HDX40	1	317990.00		
130	◆	PUNCTURE DETECTION KIT HD10 TO HDX40	1	317989.00		
71A		NIPPLE	(1)			
72		TEE	(1)			
76		NIPPLE	(1)			
77		SLEEVE	(1)			
78		CAPACITIVE DETECTOR	(1)			
84		AMPLIFIER (WITH ATEX KIT)	(1)			
1100B	◆	LUBRICANT - GLYCERIN (CAN 1L)	1	314220.00	■	●
1100H	◆	LUBRICANT - GLYCERIN (CAN 0,5L)	1	314828.00		●
1100B	◆	LUBRICANT - FOOD GRADE GLYCERIN (CAN 1L)	1	318791.00	■	●
1100H	◆	LUBRICANT - FOOD GRADE GLYCERIN (CAN 0,5L)	1	318789.00		●
1105A	◆	PRESSING GLAND SEALS KIT FOR HD15_20	1	317722.00	■	
1105		PRESSING GLAND SEAL FOR HD20_HD15	(2)			